

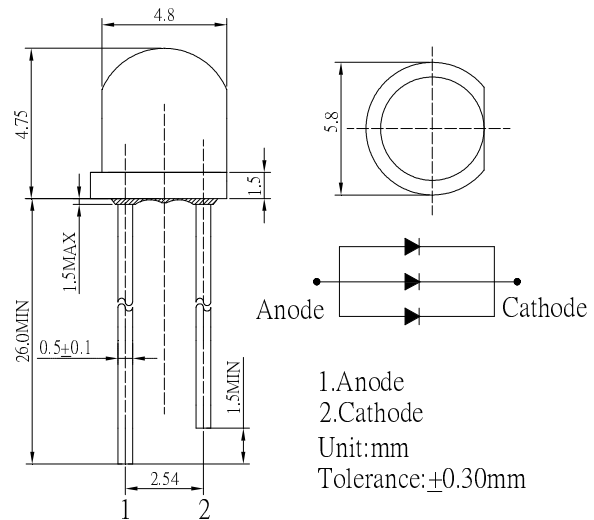
■Features

- Highest Luminous Flux
- 4.8mm Straw Standard Directivity
- Long Lifetime Operation
- Superior UV Resistance
- Water Clear Type

■Applications

- Electronic Signs And Signals
- Small Area Illuminations
- Back Lighting
- Other Lighting
- Bollards / Security / Garden
- Traffic signaling / Beacons

■Outline Dimension



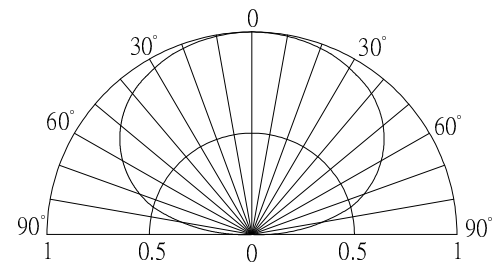
■Absolute Maximum Rating

($T_a=25^\circ\text{C}$)

Item	Symbol	Value		Unit
		B/PG	R/Y	
DC Forward Current	I_F	90	100	mA
Pulse Forward Current*	I_{FP}	150	150	mA
Reverse Voltage	V_R	5	5	V
Power Dissipation	P_D	324	260	mW
Operating Temperature	T_{opr}	-40 ~ +85		$^\circ\text{C}$
Storage Temperature	T_{stg}	-40 ~ +85		$^\circ\text{C}$
Lead Soldering Temperature	T_{sol}	260 $^\circ\text{C}$ /5sec		-

*Pulse width Max 0.1ms, Duty ratio max 1/10

■Directivity



■Electrical -Optical Characteristics

($T_a=25^\circ\text{C}$)

Part Number	Color		V_F (V)			I_R (μA)	Φ_v (lm)*			λ_D (nm)*			2 $\theta_{1/2}$ (deg)
			Min.	Typ.	Max.	Max.	Min.	Typ.	Max.	Min.	Typ.	Max.	Typ.
			$I_F=90\text{mA}$			$V_R=5\text{V}$	$I_F=90\text{mA}$						
OSB56E56F1A	Blue	B	2.8	3.1	3.6	30	9	12	-	465	470	475	150
OSG58E56F1A	Pure Green	G	2.8	3.1	3.6	30	25	30	-	520	525	530	150
OS5YKE56F1A	Yellow	Y	1.8	2.1	2.6	30	12	15	-	585	590	595	150
OS5RKE56F1A	Red	R	1.8	2.1	2.6	30	12	15	-	620	625	630	150

Note: *1. Dominant wavelength tolerance: $\pm 1\text{nm}$

*2. Tolerance of luminous Flux is $\pm 15\%$