

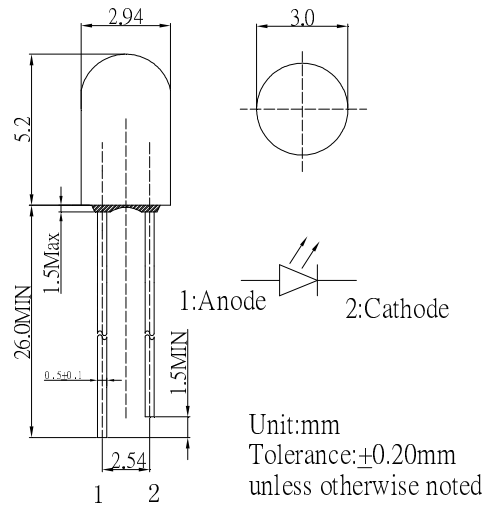
■ **Features**

- High Luminous LEDs
- 3mm Round Standard Directivity
- UV Resistant Epoxy
- Color Diffused / White Diffused

■ **Applications**

- Electronic Signs And Signals
- Small Area Illuminations
- Back Lighting
- Other Lighting

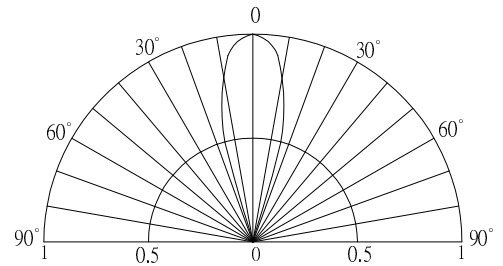
■ **Outline Dimension**



■ **Absolute Maximum Rating (Ta=25°C)**

Item	Symbol	Value		Unit
		W/M/PG/B	R/Y	
DC Forward Current	I <sub>F</sub>	35	35	mA
Pulse Forward Current#	I <sub>FP</sub>	100	100	mA
Reverse Voltage	V <sub>R</sub>	5	5	V
Power Dissipation	P <sub>D</sub>	126	91	mW
Operating Temperature	Topr	-30 ~ +85		°C
Storage Temperature	Tstg	-40~ +100		°C
Lead Soldering Temperature	Tsol	260°C/5sec		-

■ **Directivity**



#Pulse width Max.10ms Duty ratio max 1/10

■ **Electrical -Optical Characteristics (Ta=25°C)**

Part Number	Color		V <sub>F</sub> (V)*			I <sub>R</sub> (μA)	Φ v(Lm)*			Wd(nm)*			2θ1/2(deg)		
			Min.	Typ.	Max.		Max.	Min.	Typ.	Max.	Min.	Typ.		Max.	Typ.
			I <sub>F</sub> =30mA				V <sub>R</sub> =5V	I <sub>F</sub> =30mA							
OSW44L3E32B	White	W	2.8	3.1	3.6	10	7	9	-	X:0.31,Y:0.33			30		
OSM54L3E32B	Warm White	M	2.8	3.1	3.6	10	6	8	-	X:0.45,Y:0.41			30		
OSB5DL3E34B	Blue	B	2.8	3.1	3.6	10	1.5	1.9	-	465	470	475	30		
OSG5GL3E34B	Pure Green	PG	2.8	3.1	3.6	10	6	7.3	-	520	525	530	30		
OSY6PA3E34B	Amber	Y	1.8	2.2	2.6	10	4	5	-	590	595	600	30		
OSR5PA3E34B	Red	R	1.8	2.2	2.6	10	2	2.7	-	620	625	630	30		

\*1 Tolerance of measurements of chromaticity coordinate is ±10%

\*2 Tolerance of measurements of dominant wavelength is ±1nm

\*3 Tolerance of measurements of luminous intensity is ±15%

\*4 Tolerance of measurements of forward voltage is ±0.1V