

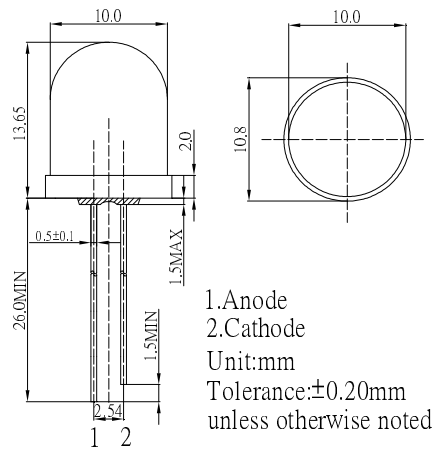
**■ Features**

- High Luminous LEDs
- 10mm Round Standard Directivity
- Superior Weather-resistance
- UV Resistant Epoxy
- Color Diffused Type

**■ Applications**

- Electronic Signs And Signals
- Small Area Illuminations
- Back Lighting
- Other Lighting

**■ Outline Dimension**



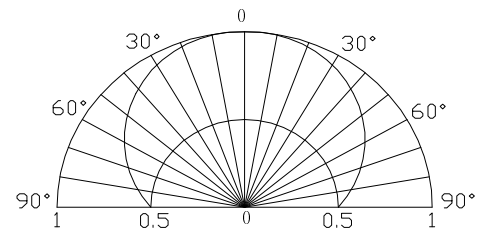
**■ Absolute Maximum Rating**

(Ta=25°C)

Item	Symbol	Value		Unit
		YG/Y/O/R	B/PG	
DC Forward Current	I <sub>F</sub>	30	30	mA
Pulse Forward Current*	I <sub>FP</sub>	100	100	mA
Reverse Voltage	V <sub>R</sub>	5	5	V
Power Dissipation	P <sub>D</sub>	78	108	mW
Operating Temperature	T <sub>opr</sub>	-30 ~ +85		°C
Storage Temperature	T <sub>stg</sub>	-40 ~ +100		°C
Lead Soldering Temperature	T <sub>sol</sub>	260°C/5sec		-

\*Pulse width Max.10ms Duty ratio max 1/10

**■ Directivity**



**■ Electrical -Optical Characteristics**

(Ta=25°C)

Part Number	Color			V <sub>F</sub> (V)			I <sub>R</sub> (μA)	I <sub>v</sub> (mcd)			W <sub>d</sub> (nm)*			2θ1/2(deg)
				Min.	Typ.	Max.	Max.	Min.	Typ.	Max.	Min.	Typ.	Max.	Typ.
				I <sub>F</sub> =20mA			V <sub>R</sub> =5V			I <sub>F</sub> =20mA				
OSB5YUA1K4A	Blue	B	■	2.8	3.1	3.6	10	150	220	-	465	470	475	180
OSG5TAA1K4A	Pure Green	PG	■	2.8	3.1	3.6	10	220	330	-	520	525	530	180
OSG8NUA1K4A	Yellow Green	YG	■	1.8	2.1	2.6	10	20	30	-	565	570	575	180
OSY5LUA1K4A	Yellow	Y	■	1.8	2.1	2.6	10	30	45	-	585	590	595	180
OSY5JAA1K4A	Yellow	Y	■	1.8	2.1	2.6	10	150	220	-	585	590	595	180
OSO5JAA1K4A	Orange	O	■	1.8	2.1	2.6	10	150	220	-	600	605	610	180
OSR5JAA1K4A	Red	R	■	1.8	2.1	2.6	10	150	220	-	620	625	630	180
OSR6LUA1K4A	Red	R	■	1.8	2.1	2.6	10	30	45	-	630	640	650	180

\*1 Tolerance of measurements of dominant wavelength is ±1nm

\*2 Tolerance of measurements of luminous intensity is ±15%

\*3 Tolerance of measurements of forward voltage is ±0.1V

**LED & Application Technologies**

