

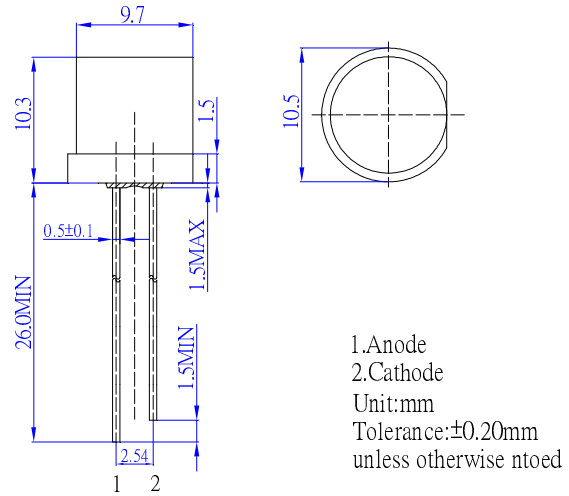
**■ Features**

- High Luminous LEDs
- 9.7mm Flat Standard Directivity
- UV Resistant Epoxy
- White Diffused

**■ Applications**

- Electronic Signs And Signals
- Small Area Illuminations
- Back Lighting
- Other Lighting

**■ Outline Dimension**

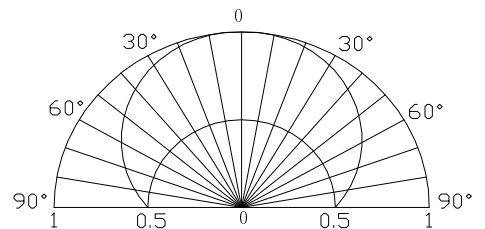


**■ Absolute Maximum Rating**

(Ta=25°C)

Item	Symbol	Value		Unit
		W/M/K/B/PG	Y/O/R	
DC Forward Current	I <sub>F</sub>	30	30	mA
Pulse Forward Current#	I <sub>FP</sub>	100	100	mA
Reverse Voltage	V <sub>R</sub>	5	5	V
Power Dissipation	P <sub>D</sub>	102	78	mW
Operating Temperature	T <sub>opr</sub>	-30 ~ +85		°C
Storage Temperature	T <sub>stg</sub>	-40~ +100		°C
Lead Soldering Temperature	T <sub>sol</sub>	260°C/5sec		-

**■ Directivity**



#Pulse width Max.10ms Duty ratio max 1/10

**■ Electrical -Optical Characteristics**

(Ta=25°C)

Part Number	Color		V <sub>F</sub> (V)			I <sub>R</sub> (μA)	I <sub>v</sub> (mcd)			λD(nm)			θ1/2(deg)
			Min.	Typ.	Max.	Max.	Min.	Typ.	Max.	Min.	Typ.	Max.	Typ.
			I <sub>F</sub> =20mA			V <sub>R</sub> =5V	I <sub>F</sub> =20mA						
OSW5DKA6K2A	White	W	2.7	2.9	3.4	10	750	1120	-	Typ. X:0.27,Y:0.28			180
OSM5DKA6K2A	Warm White	M	2.7	2.9	3.4	10	750	1120	-	Typ. X:0.45,Y:0.41			180
OSB5SAA6K2A	Blue	B	2.7	3.0	3.4	10	330	500	-	465	465	475	180
OSG5DAA6K2A	Pure Green	PG	2.7	3.0	3.4	10	750	1120	-	520	525	530	180
OSY5PAA6K2A	Yellow	Y	1.8	2.1	2.6	10	500	750	-	585	590	595	180
OSO5PAA6K2A	Orange	O	1.8	2.1	2.6	10	500	750	-	600	605	610	180
OSR5PAA6K2A	Red	R	1.8	2.1	2.6	10	500	750	-	620	625	630	180

\*1 Tolerance of measurements of chromaticity coordinate is ±10%

\*2 Tolerance of measurements of dominant wavelength is ±1nm

\*3 Tolerance of measurements of luminous intensity is ±15%

\*4 Tolerance of measurements of forward voltage is±0.1V