

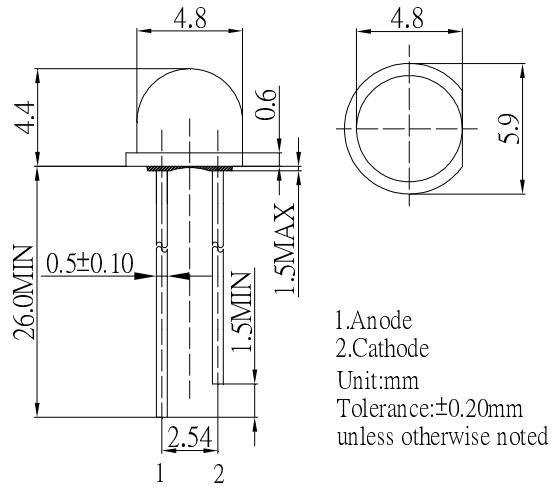
■ Features

- High Luminous LEDs
- 4.8mm Helmet Standard Directivity
- UV Resistant Epoxy
- Water Clear Type

■ Applications

- Electronic Signs And Signals
- Back Lighting
- Small Area Illuminations
- Other Lighting

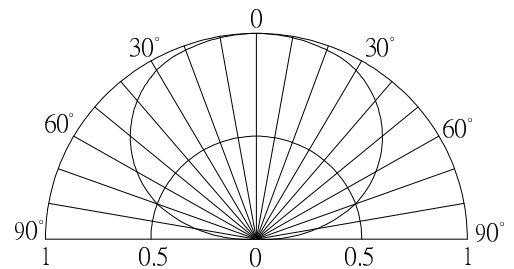
■ Outline Dimension



■ Absolute Maximum Rating (Ta=25°C)

Item	Symbol	Value		Unit
		W/M/K/B/PG	Y/O/R	
DC Forward Current	I _F	30	30	mA
Pulse Forward Current*	I _{FP}	100	100	mA
Reverse Voltage	V _R	5	5	V
Power Dissipation	P _D	108	78	mW
Operating Temperature	T _{opr}	-30 ~ +85		°C
Storage Temperature	T _{stg}	-40 ~ +100		°C
Lead Soldering Temperature	T _{sol}	260°C/5sec		-

■ Directivity



*Pulse width Max.10ms Duty ratio max 1/10

■ Electrical -Optical Characteristics (Ta=25°C)

Part Number	Color		V _F (V)			I _R (μA)	I _v (mcd)			λD (nm)			θ1/2 (deg)
			Min.	Typ.	Max.	Max.	Min.	Typ.	Max.	Min.	Typ.	Max.	Typ.
			I _F =20mA			V _R =5V	I _F =20mA						
OSW54K5PE1A	White	W	2.8	3.1	3.6	10	3000	4200	-	Typ. X:0.27,Y:0.28			140
OSM54K5PE1A	Warm White	M	2.8	3.1	3.6	10	2180	3000	-	Typ. X:0.45,Y:0.41			140
OSB5SA5PE1A	Blue	B	2.8	3.1	3.6	10	750	1120	-	465	465	475	140
OSG5GA5PE1A	Pure Green	PG	2.8	3.1	3.6	10	2180	3000	-	520	525	530	140
OSY5PA5PE1A	Yellow	Y	1.8	2.1	2.6	10	1120	1560	-	585	590	595	140
OSO5PA5PE1A	Orange	O	1.8	2.1	2.6	10	1560	2180	-	600	605	610	140
OSR5PA5PE1A	Red	R	1.8	2.1	2.6	10	1120	1560	-	620	625	630	140

*1 Tolerance of measurements of chromaticity coordinate is ±10%
 *2 Tolerance of measurements of dominant wavelength is ±1nm
 *3 Tolerance of measurements of luminous intensity is ±15%
 *4 Tolerance of measurements of forward voltage is ±0.1V