

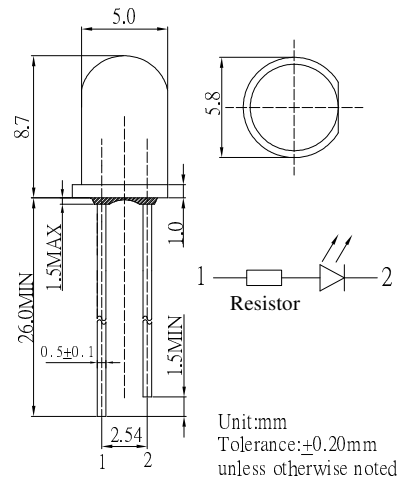
■ **Features**

- High Luminous LEDs
- 5mm Round Standard Directivity
- UV Resistant Epoxy
- Integral Current Limiting Resistor
- TTL Compatible (Requires No External Current Limiter With 12 Volt Supply)
- Cost Effective (Saves Space and Resistor Cost)
- Water clear Type

■ **Applications**

- Status Indicators
- Other Lighting

■ **Outline Dimension**

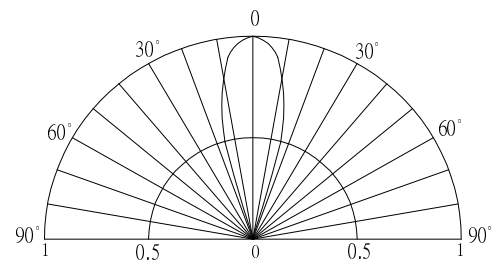


■ **Absolute Maximum Rating**

(Ta=25°C)

Item	Symbol	Value	Unit
DC Forward Voltage	V <sub>F</sub>	15	V
Reverse Voltage	V <sub>R</sub>	5	V
Power Dissipation	P <sub>D</sub>	225	mW
Operating Temperature	T <sub>opr</sub>	-30 ~ +85	°C
Storage Temperature	T <sub>stg</sub>	-40~ +100	°C
Lead Soldering Temperature	T <sub>sol</sub>	260°C/5sec	-

■ **Directivity**



■ **Electrical -Optical Characteristics**

(Ta=25°C)

Item	Symbol	Condition	Min.	Typ.	Max.	Unit
DC Forward Current*1	I <sub>F</sub>	V <sub>F</sub> =12V	-	10	15	mA
DC Reverse Current	I <sub>R</sub>	V <sub>F</sub> =12V	-	-	10	μA
Color Temperature*2	CCT	I <sub>F</sub> =20mA	2700	3000	3200	K
Chromaticity Coordinates*3	x	V <sub>F</sub> =12V	-	0.44	-	
	y	V <sub>F</sub> =12V	-	0.41	-	
Luminous Intensity*4	I <sub>v</sub>	V <sub>F</sub> =12V	-	12000	-	mcd
50% Power Angle	2θ <sub>1/2</sub>	V <sub>F</sub> =12V	-	30	-	deg

\*1 Tolerance of measurements of forward current is ±1mA

\*2 Tolerance of measurements of color temperature is ±10%

\*3 Tolerance of measurements of chromaticity coordinates is ±10%

\*4 Tolerance of measurements of luminous intensity is ±15%