

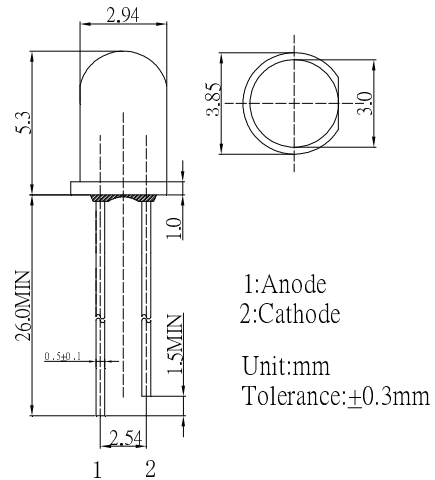
■ Features

- Low Current 1mA Operation
- 3mm Standard Directivity
- Superior Weather-resistance
- UV Resistant Epoxy
- Water Clear Type

■ Applications

- Back Light
- Small Area Illuminations
- Toys & Games
- General Purpose

■ Outline Dimension

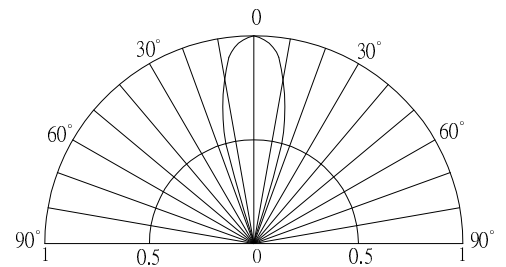


■ Absolute Maximum Rating

(Ta=25°C)

Item	Symbol	Value		Unit
		W/M/B/PG	YG/Y/O/R	
DC Forward Current	I _F	30	30	mA
Pulse Forward Current*	I _{FP}	100	100	mA
Reverse Voltage	V _R	5	5	V
Power Dissipation	P _D	102	66	mW
Operating Temperature	T _{opr}	-30 ~ +85		°C
Storage Temperature	T _{stg}	-40 ~ +100		°C
Lead Soldering Temperature	T _{sol}	260°C/5sec		-

■ Directivity



*Pulse width Max.10ms Duty ratio max 1/10

■ Electrical -Optical Characteristics

(Ta=25°C)

Part Number	Color			V _F (V)			I _R (μA)	I _v (mcd)			λ _D (nm)			θ1/2 (deg)
				Min.	Typ.	Max.	Max.	Min.	Typ.	Max.	Min.	Typ.	Max.	Typ.
				I _F =1mA			V _R =5V			I _F =1mA				
OSW5DK3131A-1MA	White	W		2.6	2.8	3.4	10	750	1120	-	CCT:8000-18000K			30
OSM5DK3131A-1MA	Warm White	M	■	2.6	2.8	3.4	10	500	750	-	CCT:2700-3200K			30
OSB5SA3131A-1MA	Blue	B	■	2.6	2.8	3.4	10	330	500	-	465	470	475	30
OSG5DA3131A-1MA	Pure Green	PG	■	2.6	2.8	3.4	10	750	1120	-	520	525	530	30
OSG8HA3131A-1MA	Yellow Green	YG	■	1.5	1.8	2.2	10	68	100	-	565	570	575	30
OSY5JA3131A-1MA	Yellow	Y	■	1.5	1.8	2.2	10	120	150	-	585	590	595	30
Oso5JA3131A-1MA	Orange	O	■	1.5	1.8	2.2	10	120	150	-	600	605	610	30
OSR5JA3131A-1MA	Red	R	■	1.5	1.8	2.2	10	120	150	-	620	625	630	30

*1 Tolerance of dominant wavelength is ±1nm

*2 Tolerance of luminous intensity is ±15%