

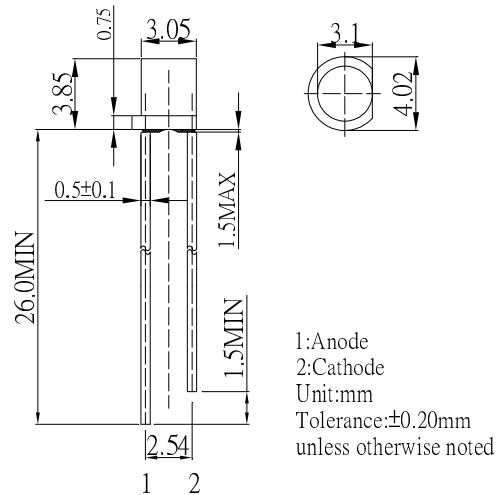
■Features

- High Luminous LED
- 3mm Flat Standard Directivity
- Long Lifetime Operation
- Superior UV Resistance
- Color Diffused Type (W/M: White Diffused)

■Applications

- Decorations
- Indications
- Back Lighting
- General Use

■Outline Dimension



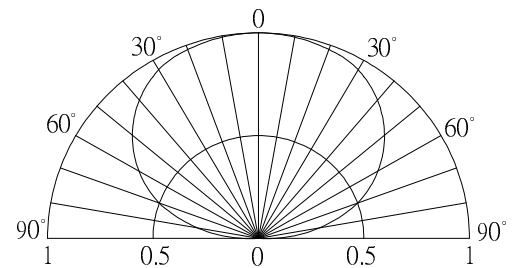
■Absolute Maximum Rating

(Ta=25°C)

Item	Symbol	Value		Unit
		W/M/B/PG	YG/Y/O/R	
DC Forward Current	I _F	30	30	mA
Pulse Forward Current#	I _{FP}	100	100	mA
Reverse Voltage	V _R	5	5	V
Power Dissipation	P _D	108	78	mW
Operating Temperature	Topr	-30 ~ +85		°C
Storage Temperature	Tstg	-40 ~ +100		°C
Lead Soldering Temperature	Tsol	260°C/5sec		-

#Pulse width Max 0.1ms, Duty ratio max 1/10

■Directivity



■Electrical -Optical Characteristics

(Ta=25°C)

Part Number	Color		V _F (V)			I _R (μA)	I _v (mcd)*			λD (nm)*			2θ1/2(deg)
			Min.	Typ.	Max.	Max.	Min.	Typ.	Max.	Min.	Typ.	Max.	Typ.
			I _F =20mA			V _R =5V		I _F =20mA					
OSW5YK34E2A	White	W	2.9	3.1	3.6	10	330	500	-	8000-18000K(X:0.27, Y:0.28)			140
OSM5YK34E2A	Warm White	M	2.9	3.1	3.6	10	220	330	-	2700-3200K(X:0.45, Y:0.41)			140
OSB5YU34E4A	Blue	B	2.9	3.1	3.6	10	100	150	-	465	470	475	140
OSG5TA34E4A	Pure Green	PG	2.9	3.1	3.6	10	220	330	-	520	525	530	140
OSG8HA34E4A	Yellow Green	YG	1.8	2.1	2.6	10	45	68	-	565	570	575	140
OSY5JA34E4A	Yellow	Y	1.8	2.1	2.6	10	68	100	-	585	590	595	140
OSO5JA34E4A	Orange	O	1.8	2.1	2.6	10	100	150	-	600	605	610	140
OSR5JA34E4A	Red	R	1.8	2.1	2.6	10	68	100	-	620	625	630	140

*1 Tolerance of measurements of dominant wavelength is ±1nm

*2 Tolerance of measurements of chromaticity coordinate is ±10%

*3 Tolerance of measurements of luminous intensity is ±15%

*4 Tolerance of measurements of forward voltage is ±0.1V