

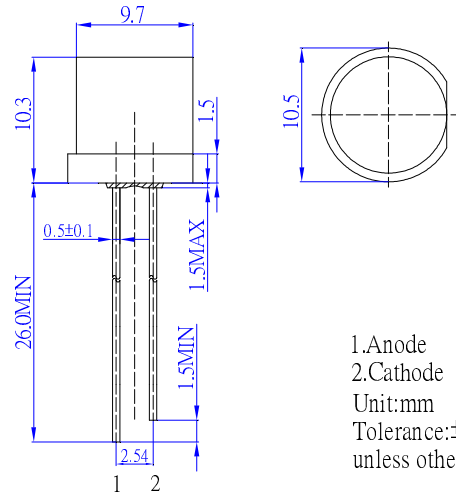
■ Features

- High Luminous LEDs
- 9.7mm Flat Standard Directivity
- UV Resistant Epoxy
- Color Diffused & White Diffused

■ Applications

- Electronic Signs And Signals
- Small Area Illuminations
- Back Lighting
- Other Lighting

■ Outline Dimension

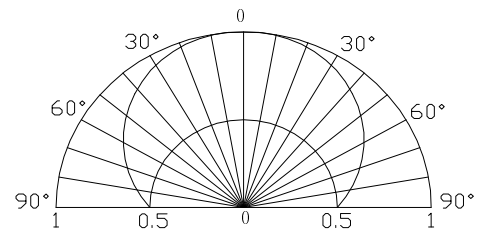


■ Absolute Maximum Rating

(Ta=25°C)

Item	Symbol	Value		Unit
		W/M/K/B/PG	Y/O/R	
DC Forward Current	I _F	30	30	mA
Pulse Forward Current#	I _{FP}	100	100	mA
Reverse Voltage	V _R	5	5	V
Power Dissipation	P _D	102	78	mW
Operating Temperature	Topr	-30 ~ +85		°C
Storage Temperature	Tstg	-40~ +100		°C
Lead Soldering Temperature	Tsol	260°C/5sec		-

■ Directivity



#Pulse width Max.10ms Duty ratio max 1/10

■ Electrical -Optical Characteristics

(Ta=25°C)

Part Number	Color		V _F (V)			I _R (μA)	I _v (mcd)			λD(nm)			θ1/2(deg)
			Min.	Typ.	Max.	Max.	Min.	Typ.	Max.	Min.	Typ.	Max.	Typ.
			I _F =20mA			V _R =5V	I _F =20mA						
OSW5DKA6K2A	White	W	2.7	2.9	3.4	10	750	1120	-	Typ. X:0.27,Y:0.28			180
OSM5DKA6K2A	Warm White	M	2.7	2.9	3.4	10	750	1120	-	Typ. X:0.45,Y:0.41			180
OSB5SAA6K4A	Blue	B	2.7	3.0	3.4	10	330	500	-	465	465	475	180
OSG5DAA6K4A	Pure Green	PG	2.7	3.0	3.4	10	750	1120	-	520	525	530	180
OSY5PAA6K4A	Yellow	Y	1.8	2.1	2.6	10	500	750	-	585	590	595	180
OSO5PAA6K4A	Orange	O	1.8	2.1	2.6	10	500	750	-	600	605	610	180
OSR5PAA6K4A	Red	R	1.8	2.1	2.6	10	500	750	-	620	625	630	180

*1 Tolerance of measurements of chromaticity coordinate is ±10%

*2 Tolerance of measurements of dominant wavelength is ±1nm

*3 Tolerance of measurements of luminous intensity is ±15%

*4 Tolerance of measurements of forward voltage is±0.1V