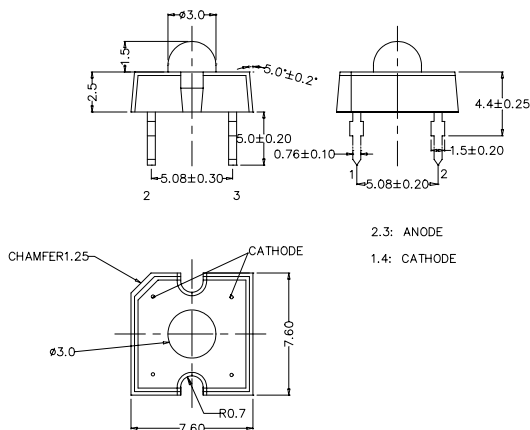


**■Features**

- Super Flux Output
- Water Clear Type
- Superior Weather-resistance
- Design For High Current Operation.

**■Applications**

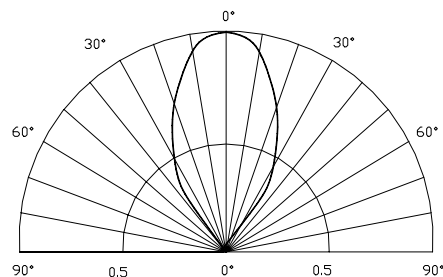
- Automotive Dashboard Lighting
- Traffic signal lamp
- Other Exterior Lighting

**■Outline Dimension**

**■Absolute Maximum Rating**

(Ta=25 )

Item	Symbol	Value	Unit
DC Forward Current	$I_F$	100	mA
Pulse Forward Current[1]	$I_{FP}$	150	mA
Reverse Voltage	$V_R$	5	V
Power Dissipation	$P_D$	125	mW
Operating Temperature	$T_{opr}$	-40 ~ +95	
Storage Temperature	$T_{stg}$	-40 ~ +100	
Lead Soldering Temperature[2]	$T_{sol}$	260 /5sec	-

**Notes:** 1. Pulse width Max.10ms Duty ratio max 1/10.  
2.2mm below package base.

**■Directivity**

**■Electrical -Optical Characteristics**

(Ta=25 )

Item	Symbol	Condition	Min.	Typ.	Max.	Unit
DC Forward Voltage	$V_F$	$I_F=20mA$	2.8	3.4	4.0	V
DC Reverse Current	$I_R$	$V_R=5V$	-	-	30	$\mu A$
Dom. Wavelength	$\lambda_D$	$I_F=20mA$	520	525	530	nm
Luminous Intensity	$I_v$	$I_F=20mA$	3000	4200	5800	mcd
		$I_F=50mA$	*5800	*7000	*8400	
50% Power Angle	$2\theta_{1/2}$	$I_F=20mA$	-	60	-	deg

**Notes:**

- \* Luminous Intensity with asterisk measured at 50mA.
- Drive current between 10 mA and 30 mA are recommended for long term performance
- Operation at current below 10 mA is not recommended