

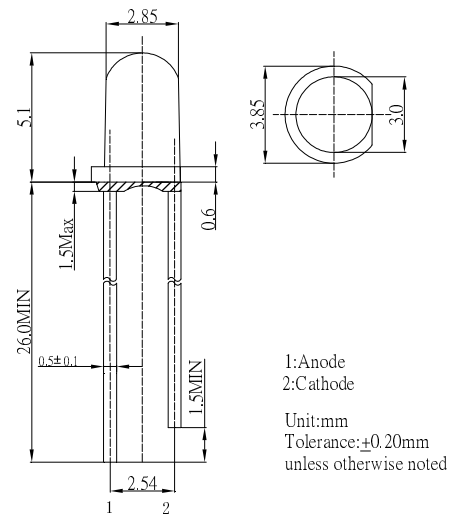
### ■ Features

- High Luminous LEDs
- 3mm Round Standard Directivity
- UV Resistant Epoxy
- Color Diffused Type / W&M: White Diffused Type

### ■ Applications

- Electronic Signs And Signals
- Small Area Illuminations
- Back Lighting
- Other Lighting

### ■ Outline Dimension



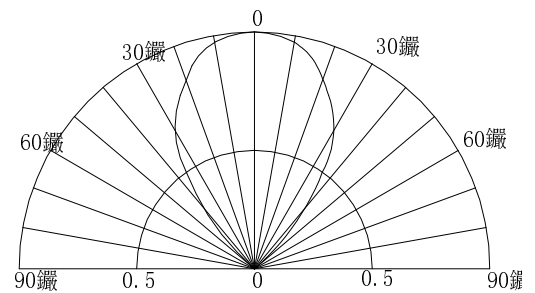
### ■ Absolute Maximum Rating

(Ta=25°C)

Item	Symbol	Value		Unit
		W/M/PG/B	R/Y/YG	
DC Forward Current	I <sub>F</sub>	30	30	mA
Pulse Forward Current#	I <sub>FP</sub>	100	100	mA
Reverse Voltage	V <sub>R</sub>	5	5	V
Power Dissipation	P <sub>D</sub>	108	78	mW
Operating Temperature	T <sub>opr</sub>	-30 ~ +85		°C
Storage Temperature	T <sub>stg</sub>	-40 ~ +100		°C
Lead Soldering Temperature	T <sub>sol</sub>	260°C/5sec		-

#Pulse width Max.10ms Duty ratio max 1/10

### ■ Directivity



### ■ Electrical -Optical Characteristics

(Ta=25°C)

Part Number	Color		V <sub>F</sub> (V)			I <sub>R</sub> (μA)	I <sub>v</sub> (mcd)			Wd (nm)*			2θ1/2(deg)
			Min.	Typ.	Max.	Max.	Min.	Typ.	Max.	Min.	Typ.	Max.	Typ.
			I <sub>F</sub> =20mA			V <sub>R</sub> =5V	I <sub>F</sub> =20mA						
OSW4YK3Z72A	White	W	2.8	3.1	3.6	10	1560	2180	-	X:0.31, Y:0.33			70
OSM5YK3Z72A	Warm White	M	2.8	3.1	3.6	10	1120	1560	-	X:0.45, Y:0.41			70
OSB5YU3Z74A	Blue	B	2.8	3.1	3.6	10	220	330	-	465	470	475	70
OSG5TA3Z74A	Pure Green	PG	2.8	3.1	3.6	10	750	1120	-	520	525	530	70
OSG8HA3Z74A	Yellow Green	YG	1.8	2.1	2.6	10	68	100	-	565	570	575	70
OSY5JA3Z74A	Yellow	Y	1.8	2.1	2.6	10	220	330	-	585	590	595	70
OSR5JA3Z74A	Red	R	1.8	2.1	2.6	10	220	330	-	620	625	630	70

\*1 Tolerance of measurements of chromaticity coordinate is ±10%

\*2 Tolerance of measurements of dominant wavelength is ±1nm

\*3 Tolerance of measurements of luminous intensity is ±15%

\*4 Tolerance of measurements of forward voltage is ±0.1V