

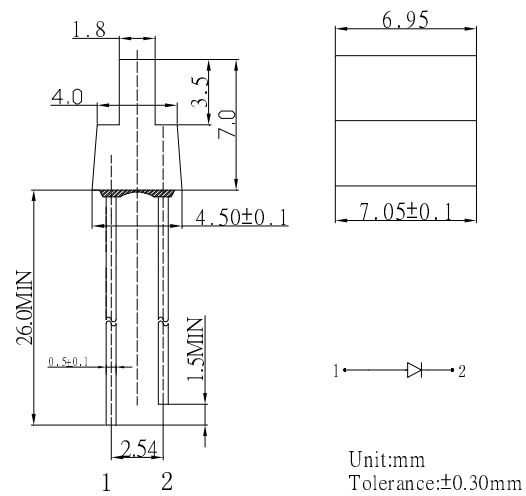
■ **Features**

- High Luminous LEDs
- 1.8*7.05mm Tower Standard Directivity
- Superior Weather-resistance
- UV Resistant Epoxy
- Color Diffused Type (White diffused for white LEDs)

■ **Applications**

- Toys
- Games
- Audio
- Other Lighting

■ **Outline Dimension**

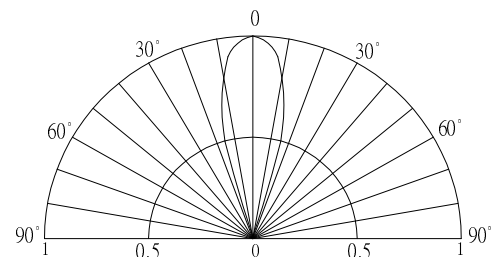


■ **Absolute Maximum Rating**

(Ta=25°C)

Item	Symbol	Value		Unit
		W/M/K/B/PG	YG/Y/O/R	
DC Forward Current	I _F	30	30	mA
Pulse Forward Current*	I _{FP}	100	100	mA
Reverse Voltage	V _R	5	5	V
Power Dissipation	P _D	108	78	mW
Operating Temperature	T _{opr}	-30 ~ +85		°C
Storage Temperature	T _{stg}	-40 ~ +100		°C
Lead Soldering Temperature	T _{sol}	260°C/5sec		-

■ **Directivity**



*Pulse width Max.10ms Duty ratio max 1/10

■ **Electrical -Optical Characteristics**

(Ta=25°C)

Part Number	Color		V _F (V)			I _R (μA)	I _v (mcd)			λD (nm)			2θ1/2 (deg)
			Min.	Typ.	Max.	Max.	Min.	Typ.	Max.	Min.	Typ.	Max.	Typ.
			I _F =20mA			V _R =5V	I _F =20mA						
OSW5YK7232B	White	W	2.8	3.1	3.6	10	500	750	-	X=0.27, Y=0.28			30
OSM5YK7232B	Warm White	M	2.8	3.1	3.6	10	330	500	-	X=0.45, Y=0.41			30
OSK5YK7232B	Pink	K	2.8	3.1	3.6	10	150	220	-	X=0.45, Y=0.17			30
OSB5YU7234B	Blue	B	2.8	3.1	3.6	10	220	330	-	465	465	475	30
OSG5TA7234B	Pure Green	PG	2.8	3.1	3.6	10	330	500	-	520	525	530	30
OSG8HA7234B	Yellow Green	YG	1.8	2.1	2.6	10	100	150	-	565	570	575	30
OSY5JA7234B	Yellow	Y	1.8	2.1	2.6	10	150	220	-	585	590	595	30
OSO5JA7234B	Orange	O	1.8	2.1	2.6	10	150	220	-	600	605	610	30
OSR5JA7234B	Red	R	1.8	2.1	2.6	10	150	220	-	620	625	630	30

*1 Tolerance of dominant wavelength is ±1nm

*2 Tolerance of luminous intensity is ±15%