

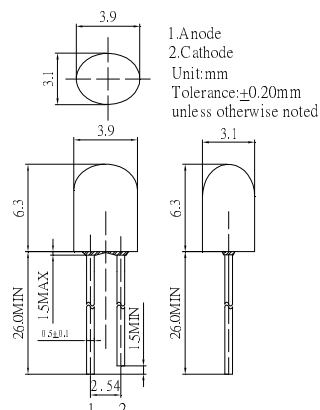
**■Features**

- High Luminous LED
- 3.9x3.1mm Round Standard Directivity
- Long Lifetime Operation
- Superior UV Resistance
- Water Clear Type

**■Applications**

- Electronic Signs And Signals
- Small Area Illuminations
- Back Lighting
- Other Lighting

**■Outline Dimension**

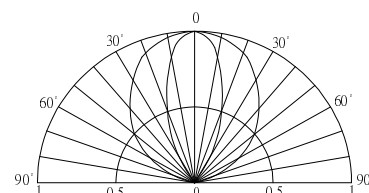


**■Absolute Maximum Rating**

(Ta=25°C)

**■Directivity**

Item	Symbo l	Value			Unit
		W/M/B/PG	Y5RU/O5JA/R5RU	Y5PA/O5PA/R5PA	
DC Forward Current	I <sub>F</sub>	30	30	50	mA
Pulse Forward Current*	I <sub>FP</sub>	100	100	120	mA
Reverse Voltage	V <sub>R</sub>	5	5	5	V
Power Dissipation	P <sub>D</sub>	102	78	130	mW
Operating Temperature	Topr	-30 ~ +85			°C
Storage Temperature	Tstg	-40~ +100			°C
Lead Soldering Temperature	Tsol	260°C /5sec			-



\*Pulse width Max 0.1ms, Duty ratio max 1/10

**■Electrical -Optical Characteristics**

(Ta=25°C)

Part Number	Color		V <sub>F</sub> (V)			I <sub>R</sub> (μA)	I <sub>v</sub> (mcd)*			λD(nm)*			2θ1/2(deg)
			Min.	Typ.	Max.	Max.	Min.	Typ.	Max.	Min.	Typ.	Max.	Typ.
			I <sub>F</sub> =20mA			V <sub>R</sub> =5V		I <sub>F</sub> =20mA					
OSW5DK43A1B	White	W	2.7	2.9	3.4	10	4200	5800	-	Typ.X:0.27, Y:0.28		100/40	
OSM5DK43A1B	Warm White	M	2.7	2.9	3.4	10	4200	5800	-	Typ.X:0.45, Y:0.41		100/40	
OSB5SA43A1B	Blue	B	2.8	3.1	3.6	10	2180	3000	-	465	470	475	100/40
OSG5DA43A1B	Pure Green	PG	2.8	3.1	3.6	10	4200	5800	-	520	525	530	100/40
OSY5RU43A1B	Yellow	Y	1.8	2.1	2.6	10	750	1120	-	585	590	595	100/40
OSY5PA43A1B	Yellow	Y	1.8	2.1	2.6	10	4200	5800	-	585	590	595	100/40
OSO5JA43A1B	Orange	O	1.8	2.1	2.6	10	750	1120	-	600	605	610	100/40
OSO5PA43A1B	Orange	O	1.8	2.1	2.6	10	4200	5800	-	600	605	610	100/40
OSR5RU43A1B	Red	R	1.8	2.1	2.6	10	750	1120	-	620	625	630	100/40
OSR5PA43A1B	Red	R	1.8	2.1	2.6	10	4200	5800	-	620	625	630	100/40

\*1 Tolerance of measurements of Domi. wavelength is ±1nm

\*2 Tolerance of measurements of chromaticity coordinates is ±10%

\*3 Tolerance of measurements of luminous intensity is ±15%

\*4 Tolerance of measurements of forward voltage is ±0.1V