

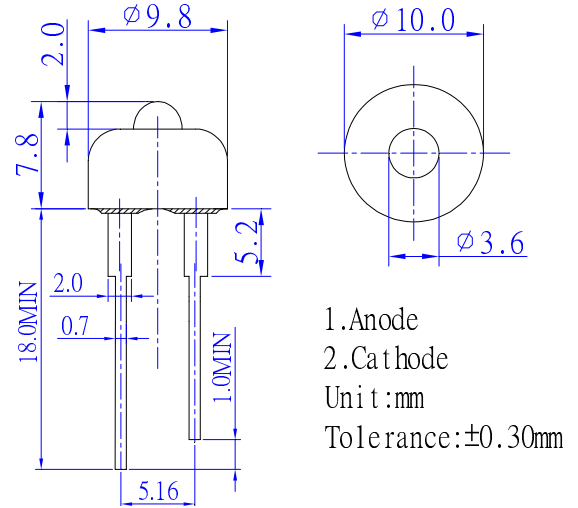
**■ Features**

- High Lumen Output LEDs
- 10mm Round Standard Directivity
- UV Resistant Epoxy
- Narrow Viewing Angle

**■ Applications**

- Signage and channel letter
- Decorating and entertainment lighting
- Architectural lighting
- Outdoor/Indoor applications/Other Lighting

**■ Outline Dimension**

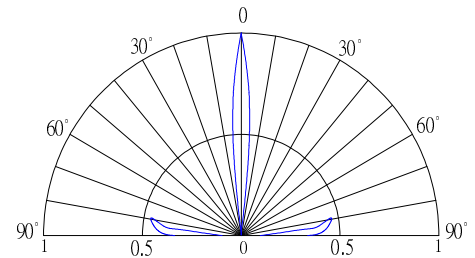


**■ Absolute Maximum Rating**

(Ta=25°C)





Item	Symbol	Value		Unit
		B/PG	Y/R	
DC Forward Current	I <sub>F</sub>	150	150	mA
Pulse Forward Current#	I <sub>FP</sub>	200	200	mA
Reverse Voltage	V <sub>R</sub>	5	5	V
Power Dissipation	P <sub>D</sub>	540	390	mW
Operating Temperature	Topr	-30 ~ +85		°C
Storage Temperature	Tstg	-30 ~ +85		°C
Lead Soldering Temperature	Tsol	260°C/5sec		-

**■ Directivity**



#Pulse width Max.10ms , Duty ratio max 1/10

**■ Electrical -Optical Characteristics** (Ta=25°C)

Part Number	Color			V <sub>F</sub> (V)*			I <sub>v</sub> (mcd)*			λD(nm)*			2θ1/2(deg)
				Min.	Type.	Max.	Min.	Typ.	Max.	Min.	Typ.	Max.	Typ.
				I <sub>F</sub> =120mA			I <sub>F</sub> =120mA						
OSB5XAAC11U	Blue	B		3.0	3.3	3.6	60000	70000	-	465	470	475	12
OSG5XAAC11U	Pure Green	PG		2.8	3.3	3.6	150000	200000	-	520	525	530	12
OSY5XAAC11U	Yellow	Y		2.0	2.3	2.6	90000	120000	-	585	590	595	12
OSR5XAAC11U	Red	R		2.0	2.3	2.6	90000	120000	-	620	625	630	12

\*1 Tolerance of measurements of dominant wavelength is ±1nm

\*2 Tolerance of measurements of luminous intensity is ±15%

\*3 Tolerance of measurements of forward voltage is±0.1V