

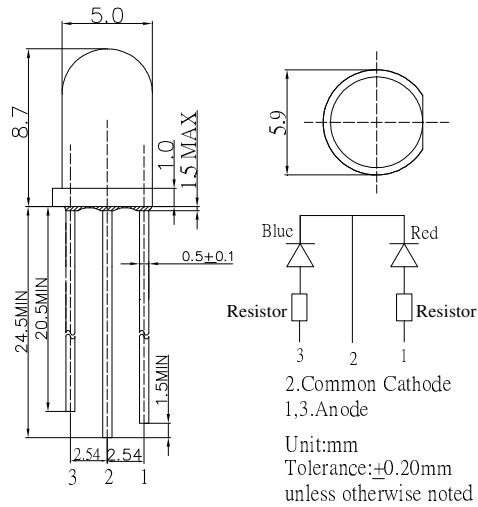
**■Features**

- High Luminous LEDs
- 5mm Round Standard Directivity
- UV Resistant Epoxy
- Integral Current Limiting Resistor
- TTL Compatible (Requires No External Current Limiter With 5 Volt Supply)
- Cost Effective (Saves Space and Resistor Cost)
- Water Clear Type

**■Applications**

- Toys/ Games/ Audio
- Other Lighting

**■Outline Dimension**

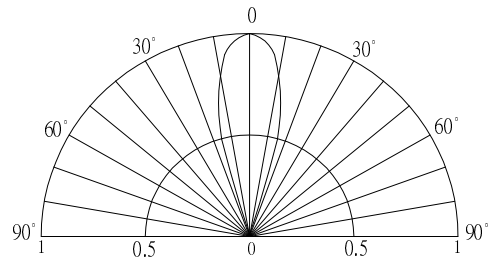


**■Absolute Maximum Rating (Ta=25°C)**

Item	Symbol	Value	Unit
DC Forward Voltage	V <sub>F</sub>	7.5	V
Reverse Voltage	V <sub>R</sub>	5	V
Power Dissipation	P <sub>D</sub>	150	mW
Operating Temperature	Topr	-30~ +85	°C
Storage Temperature	Tstg	-40 ~ +100	°C
Lead Soldering Temperature	Tsol	260°C/5sec	-

\*Pulse width Max.10ms Duty ratio max 1/10

**■Directivity**



**■Electrical -Optical Characteristics (Ta=25°C)**

Item	Symbol	Condition	Min.	Typ.	Max.	Unit
DC Forward Current*1	I <sub>F</sub> (Red)	V <sub>F</sub> =5V	-	12	20	mA
	I <sub>F</sub> (Blue)	V <sub>F</sub> =5V	-	12	20	mA
DC Reverse Current	I <sub>R</sub>	V <sub>R</sub> =5V	-	-	10	μA
Domi. Wavelength*2	λ <sub>D</sub> (Red)	V <sub>F</sub> =5V	620	625	630	nm
	λ <sub>D</sub> (Blue)	V <sub>F</sub> =5V	465	470	475	nm
Luminous Intensity*3	I <sub>v</sub> (Red)	V <sub>F</sub> =5V	2180	3000	-	mcd
	I <sub>v</sub> (Blue)	V <sub>F</sub> =5V	1120	1560	-	mcd
50% Power Angle	2θ <sub>1/2</sub>	V <sub>F</sub> =5V	-	30	-	deg

\*1 Tolerance of measurements of forward current is ±1mA

\*2 Tolerance of measurements of dominant wavelength is ±1nm

\*3 Tolerance of measurements of luminous intensity is ±15%