

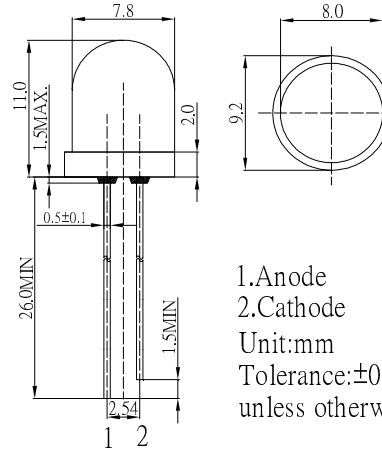
**■Features**

- High Luminous LEDs
- 8mm Round Standard Directivity
- UV Resistant Epoxy
- White Diffused

**■Applications**

- Electronic Signs And Signals
- Small Area Illuminations
- Back Lighting
- Other Lighting

**■Outline Dimension**



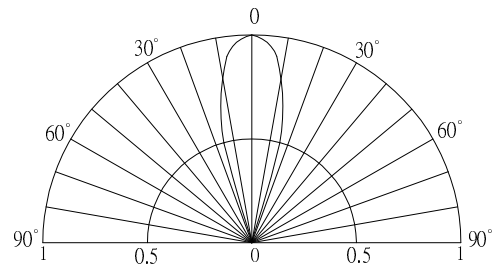
**■Absolute Maximum Rating**

(Ta=25°C)

Item	Symbol	Value		Unit
		W/M/BL/PG	Y/R	
DC Forward Current	I <sub>F</sub>			mA
Pulse Forward Current#	I <sub>FP</sub>	30	30	mA
Reverse Voltage	V <sub>R</sub>	100	100	V
Power Dissipation	P <sub>D</sub>	5	5	mW
Operating Temperature	T <sub>opr</sub>	-30 ~ +85		°C
Storage Temperature	T <sub>stg</sub>	-40~ +100		°C
Lead Soldering Temperature	T <sub>sol</sub>	260°C/5sec		-

#Pulse width Max.10ms Duty ratio max 1/10

**■Directivity**



**■Electrical -Optical Characteristics**

(Ta=25°C)

Part Number	Color		V <sub>F</sub> (V)*			I <sub>R</sub> (μA)	I <sub>v</sub> (mcd)*			Wd(nm)/CCT*			2θ1/2(deg)
			Min.	Typ.	Max.	Max.	Min.	Typ.	Max.	Min.	Typ.	Max.	Typ.
			I <sub>F</sub> =20mA			V <sub>R</sub> =5V	I <sub>F</sub> =20mA						
OSW44K8132A	Pure White	W	2.7	2.9	3.4	10	12000	14400	-	5500-6500-8500K(X:0.31,Y:0.33)			30
OSM54K8132A	Warm White	M	2.7	2.9	3.4	10	10000	12000	-	2700-3000-3200K(X:0.44,Y:0.41)			30
OSB56A8132A	Blue	BL	2.8	3.1	3.6	10	2180	3000	-	465	470	475	30
OSG59A8132A	Pure Green	PG	2.8	3.1	3.6	10	12000	14400	-	520	525	530	30
OS5YAA8132A	Yellow	Y	1.8	2.1	2.6	10	7000	8400	-	585	590	595	30
OS5RAA8132A	Red	R	1.8	2.1	2.6	10	7000	8400	-	620	625	630	30

\*1 Tolerance of measurements of chromaticity coordinate/CCT is ±10%

\*2 Tolerance of measurements of dominant wavelength is ±1nm

\*3 Tolerance of measurements of luminous intensity is ±15%

\*4 Tolerance of measurements of forward voltage is ±0.1V