

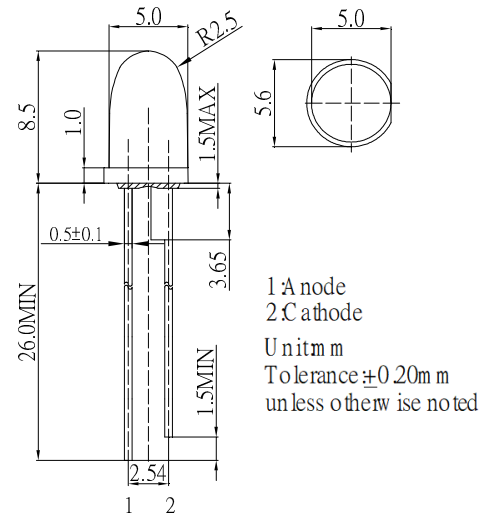
■ Features

- High Luminous LEDs
- 5mm Round Standard Directivity
- UV Resistant Epoxy
- Water Clear Type

■ Applications

- Electronic Signs And Signals
- Small Area Illuminations
- Back Lighting
- Other Lighting

■ Outline Dimension

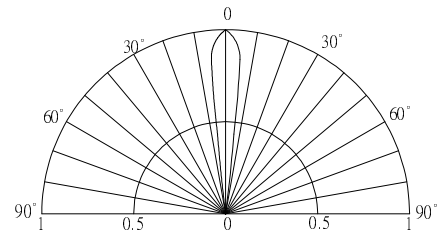


■ Absolute Maximum Rating

(Ta=25°C)

Item	Symbol	Value	Unit
DC Forward Current	I _F	75	mA
Pulse Forward Current#	I _{FP}	120	mA
Reverse Voltage	V _R	5	V
Power Dissipation	P _D	270	mW
Operating Temperature	Topr	-30 ~ +85	°C
Storage Temperature	Tstg	-40~ +100	°C
Lead Soldering Temperature	Tsol	260°C/5sec	-

■ Directivity



#Pulse width Max.10ms Duty ratio max 1/10

■ Electrical -Optical Characteristics

(Ta=25°C)

Part Number	Color			V _F (V)*			I _R (μA)	I _v (mcd)*			Wd(nm)/CCT(K)*			2θ1/2(deg)
				Min.	Typ.	Max.	Max.	Min.	Typ.	Max.	Min.	Typ.	Max.	Typ.
				I _F =70mA			V _R =5V			I _F =70mA				
OSW47L5201P	Pure White	W		2.8	3.2	3.6	10	90000	110000	-	5500-8500K(X:0.31,Y:0.34)			8
OSM57L5201P	Warm White	M	■	2.8	3.2	3.6	10	90000	110000	-	2700-3200K(X:0.44,Y:0.41)			8
OSB56L5201P	Blue	B	■	2.8	3.2	3.6	10	50000	60000	-	465	470	475	8
OSG59L5201P	Pure Green	PG	■	2.8	3.2	3.6	10	160000	180000	-	520	525	530	8

*1 Tolerance of measurements of chromaticity coordinate is ±10%

*2 Tolerance of measurements of dominant wavelength is ±1nm

*3 Tolerance of measurements of luminous flux is ±15%

*4 Tolerance of measurements of forward voltage is ±0.1V