

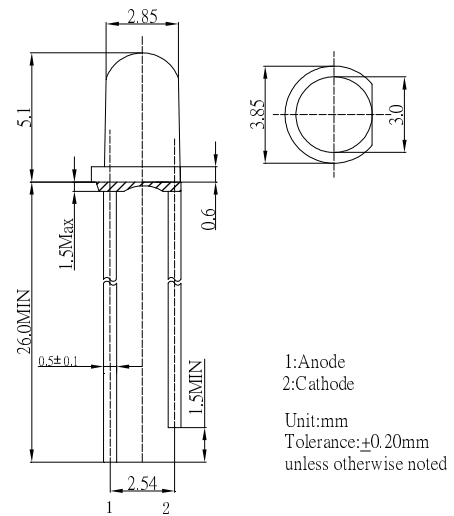
■ Features

- High Luminous LEDs
- 3mm Round Standard Directivity
- UV Resistant Epoxy
- Water Clear Type

■ Applications

- Electronic Signs And Signals
- Small Area Illuminations
- Back Lighting
- Other Lighting

■ Outline Dimension

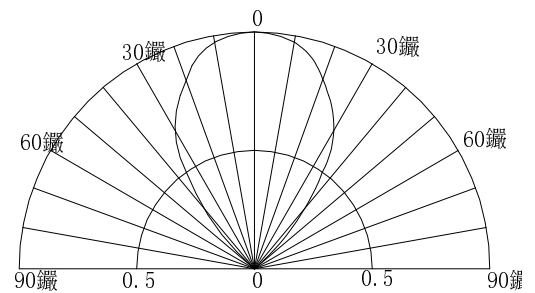


■ Absolute Maximum Rating

(Ta=25°C)

Item	Symbol	Value		Unit
		W/M/PG/B	R/Y/YG	
DC Forward Current	I _F	30	30	mA
Pulse Forward Current#	I _{FP}	100	100	mA
Reverse Voltage	V _R	5	5	V
Power Dissipation	P _D	108	78	mW
Operating Temperature	T _{opr}	-30 ~ +85		°C
Storage Temperature	T _{stg}	-40 ~ +100		°C
Lead Soldering Temperature	T _{sol}	260°C/5sec		-

■ Directivity



#Pulse width Max.10ms Duty ratio max 1/10

■ Electrical -Optical Characteristics

(Ta=25°C)

Part Number	Color		V _F (V)*			I _R (μA)	I _v (mcd)*			W _d (nm)*			2θ1/2(deg)	
			Min.	Typ.	Max.		Max.	Min.	Typ.	Max.	Min.	Typ.		Max.
			I _F =20mA				V _R =5V	I _F =20mA						
OSW4YK3Z71A	White	W	2.8	3.1	3.6	10	2180	3000	-	CCT: typ.6500K			70	
OSM5YK3Z71A	Warm White	M	2.8	3.1	3.6	10	1560	2180	-	CCT: typ.3000K			70	
OSB5YU3Z71A	Blue	B	2.8	3.1	3.6	10	500	750	-	465	470	475	70	
OSG5TA3Z71A	Pure Green	PG	2.8	3.1	3.6	10	1560	2180	-	520	525	530	70	
OSG8HA3Z71A	Yellow Green	YG	1.8	2.1	2.6	10	150	220	-	565	570	575	70	
OSY5JA3Z71A	Yellow	Y	1.8	2.1	2.6	10	500	750	-	585	590	595	70	
OSR5JA3Z71A	Red	R	1.8	2.1	2.6	10	500	750	-	620	625	630	70	

*1 Tolerance of measurements of chromaticity coordinate is ±10%

*2 Tolerance of measurements of dominant wavelength is ±1nm

*3 Tolerance of measurements of luminous intensity is ±15%

*4 Tolerance of measurements of forward voltage is ±0.1V

LED & Application Technologies

