

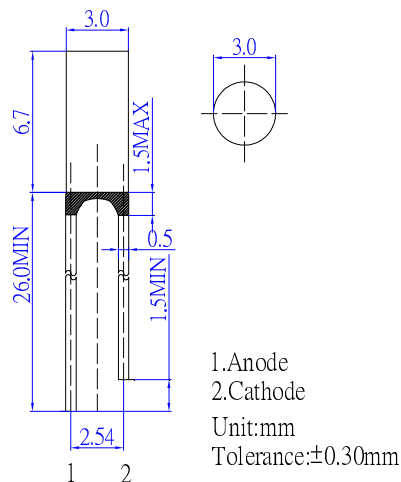
■Features

- High Luminous Flux
- 3mm Standard Directivity
- Long Lifetime Operation
- Superior UV Resistance
- Water Clear Type

■Applications

- Electronic Signs And Signals
- Small Area Illuminations
- Back Lighting
- Other Lighting

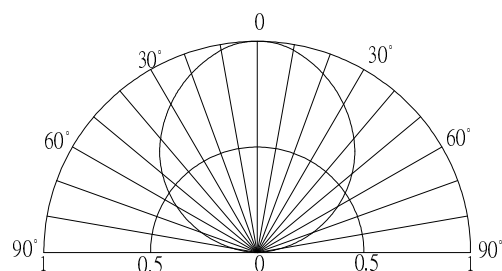
■Outline Dimension



■Absolute Maximum Rating (Ta=25°C)

Item	Symbo	Value		Unit
		W/B/PG	R/Y/YG	
DC Forward Current	I _F	25	30	mA
Pulse Forward Current*	I _{FP}	80	100	mA
Reverse Voltage	V _R	5	5	V
Power Dissipation	P _D	90	78	mW
Operating Temperature	Topr	-40 ~ +85		°C
Storage Temperature	Tstg	-40~ +85		°C
Lead Soldering Temperature	Tsol	260°C/5sec		-

■Directivity



*Pulse width Max 0.1ms, Duty ratio max 1/10

■Electrical -Optical Characteristics (Ta=25°C)

Part Number	Color		V _F (V)			I _R (μA)	I _v (mcd)*			λD (nm)*			2θ1/2(deg)
			Min.	Typ.	Max.	Max.	Min.	Typ.	Max.	Min.	Typ.	Max.	Typ.
			I _F =20mA			V _R =5V	I _F =20mA						
OSW5YK39B1B	White	W	2.8	3.1	3.6	10	1120	1560	-	CCT:8000-18000K			110
OSM5YK39B1B	Warm White	M	2.8	3.1	3.6	10	750	1120	-	CCT:2700-3200K			110
OSB4YU39B1B	Blue	B	2.8	3.1	3.6	10	220	330	-	455	460	465	110
OSG5TA39B1B	Pure Green	PG	2.8	3.1	3.6	10	750	1120	-	520	525	530	110
OSG8HA39B1B	Yellow Green	YG	1.8	2.1	2.6	10	100	150	-	565	570	575	110
OSY5JA39B1B	Yellow	Y	1.8	2.1	2.6	10	150	220	-	585	590	595	110
OSO5JA39B1B	Orange	O	1.8	2.1	2.6	10	220	330	-	600	605	610	110
OSR5JA39B1B	Red	R	1.8	2.1	2.6	10	150	220	-	620	625	630	110

Note: *1. Dominant wavelength tolerance: ±1nm

*2. Tolerance of luminous intensity is ±15%