

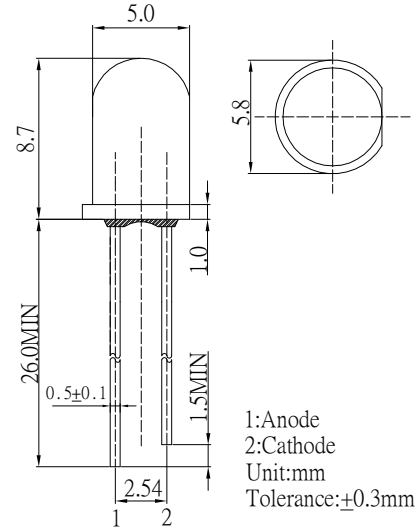
### ■ Features

- High Luminous LEDs
- 5mm Round Standard Directivity
- Superior Weather-resistance
- Flashing Type
- Water Clear Type

### ■ Applications

- Toys
- Games
- Audio
- Other Lighting

### ■ Outline Dimension

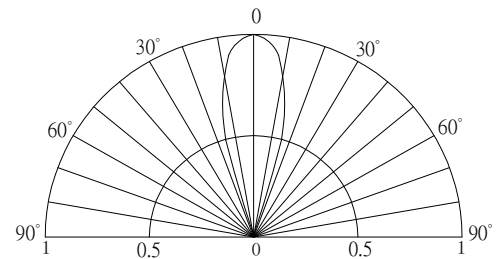


### ■ Absolute Maximum Rating

(Ta=25°C)

Item	Symbol	Value	Unit
Power Supply	Voltage	5	V
Operating Temperature	Topr	-30 ~ +85	°C
Storage Temperature	Tstg	-40 ~ +100	°C
Lead Soldering Temperature	Tsol	260°C/5sec	-

### ■ Directivity



### ■ Electrical -Optical Characteristics

(Ta=25°C)

Item	Symbol	Condit	Min.	Typ.	Max	Unit
DC Forward Voltage	V <sub>dd</sub>	I <sub>F</sub> =20mA	3.0	3.3	5.0	V
Oscillator Frequency*	F <sub>led</sub>	I <sub>F</sub> =20mA	-	1.8	-	Hz
Duty Cycle	Duty	I <sub>F</sub> =20mA	-	1/2	-	-
Domi. Wavelength*	λ <sub>D</sub> (Yellow)	I <sub>F</sub> =20mA	585	590	595	nm
	λ <sub>D</sub> (Blue)	I <sub>F</sub> =20mA	465	470	475	nm
Luminous Intensity*	I <sub>v</sub> (Yellow)	I <sub>F</sub> =20mA	5800	7000	-	mcd
	I <sub>v</sub> (Blue)	I <sub>F</sub> =20mA	2000	2500	-	mcd
50% Power Angle	2θ <sub>1/2</sub>	I <sub>F</sub> =20mA	-	30	-	deg

\*1 Tolerance of measurements of dominant wavelength is ±1nm

\*2 Tolerance of measurements of luminous intensity is ±15%

\*3 Tolerance of measurements of Frequency is ±20%

\*4 Tolerance of measurements of forward voltage is ±0.1V