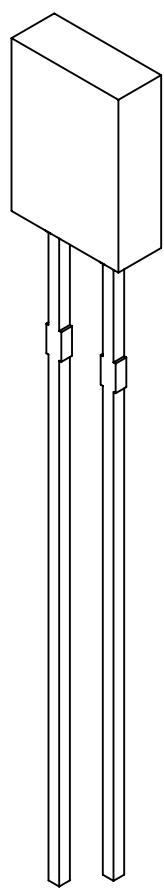
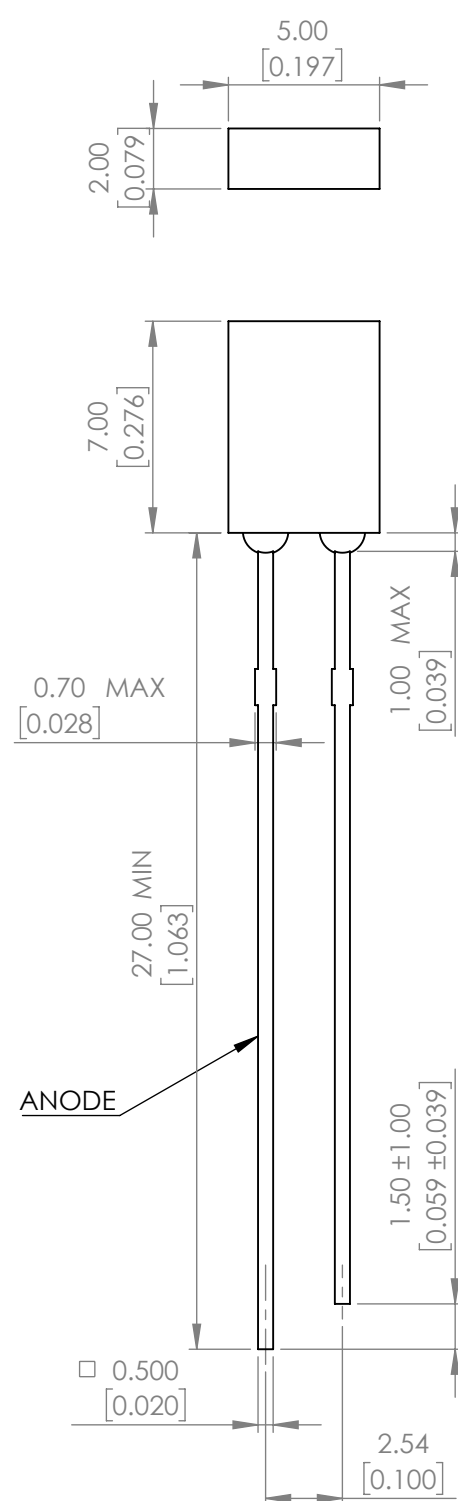


| | | | |
|--------------------|--|-------------|---|
| PART NUMBER | SSL-LX2573ID | REV | D |
| REV | E.C.N. NUMBER AND REVISION COMMENTS | DATE | |
| A | E.C.N. #10113 | 10.03.96 | |
| B | E.C.N. #10BRDR. & REDRAWN IN 3D. | 06.15.01 | |
| C | E.C.N. #11248 | 08.15.01 | |
| D | ECN-Lumex202000018 | 03.27.20 | |



ELECTRO-OPTICAL CHARACTERISTIC TA=25°C

| PARAMETER | MIN | TYP | MAX | UNITS | TEST COND |
|--------------------|--------------|-----|-----|-------------------------|-----------|
| PEAK WAVELENGTH | - | 627 | - | nm | If=10mA |
| FORWARD VOLTAGE | - | 1.9 | 2.3 | Vf | If=10mA |
| REVERSE CURRENT | - | - | 10 | uA | Vr=5V |
| LUMINOUS INTENSITY | - | 4 | - | mcd | - |
| VIEWING ANGLE | - | 140 | - | 2x theta _{1/2} | - |
| EMITTED COLOR | RED | | | | |
| EPOXY LENS FINISH | RED DIFFUSED | | | | |

ABSOLUTE MAXIMUM RATINGS TA=25°C

| PARAMETER | MAX | UNITS |
|---------------------------|---------------|-------|
| PEAK FORWARD CURRENT* | 150 | mA |
| FORWARD CURRENT | 30 | mA |
| REVERSE VOLTAGE | 5 | V |
| POWER DISSIPATION | 70 | mW |
| STORAGE TEMPERATURE | -40 TO +85 | °C |
| OPERATING TEMPERATURE | -40 TO +85 | °C |
| LEAD SOLDER TEMPERATURE** | 3SEC MAX @260 | °C |

*T<10uS
**2mm FROM BODY

STATIC DEVICE FOLLOW PROPER
E.S.D. HANDLING PROCEDURES
WHEN WORKING WITH THIS PART

*UNLESS OTHERWISE SPECIFIED TOLERANCES PER DECIMAL PRECISION ARE: X=±1 (±0.039), X.X=±0.5 (±0.020), X.XX=±0.25 (±0.010), X.XXX=±0.127 (±0.005). LEAD SIZE=±0.05 (±0.002), LEAD LENGTH=±0.75 (±0.030). MIN= ^{+DECIMAL PRECISION}/_{-0.00} MAX= ^{+0.00}/_{-DECIMAL PRECISION}