

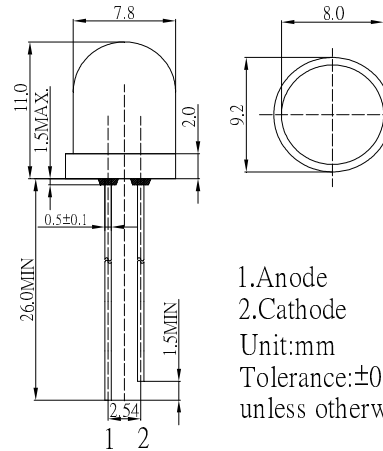
■Features

- High Radiant flux LEDs
- 8mm Round Standard Directivity
- UV Resistant Epoxy
- Water Clear Type

■Applications

- Counterfeit Detection
- NDT Crack Detection
- Fluid Leak Detection
- Forensic Science/Infection Control
- Other Lighting

■Outline Dimension

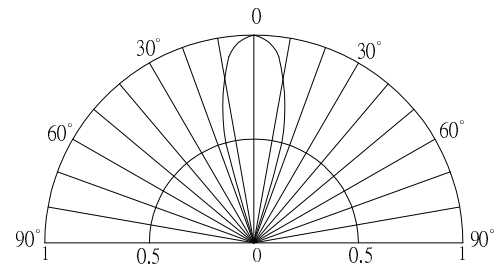


■Absolute Maximum Rating

(Ta=25°C)

| Item | Symbol | Value | Unit |
|----------------------------|------------------|------------|------|
| DC Forward Current | I _F | 30 | mA |
| Pulse Forward Current# | I _{FP} | 100 | mA |
| Reverse Voltage | V _R | 5 | V |
| Power Dissipation | P _D | 114 | mW |
| Operating Temperature | T _{opr} | -30 ~ +85 | °C |
| Storage Temperature | T _{stg} | -40 ~ +100 | °C |
| Lead Soldering Temperature | T _{sol} | 260°C/5sec | - |

■Directivity



#Pulse width Max.10ms Duty ratio max 1/10

■Electrical -Optical Characteristics

(Ta=25°C)

| Part Number | Visual Color | V _F *(V) | | | I _R (μA) | Radiant flux*(mW) | | | WP*(nm) | | | 2θ1/2(deg) |
|-------------|--------------|----------------------|------|------|---------------------|----------------------|------|------|---------|------|------|------------|
| | | Min. | Typ. | Max. | Max. | Min. | Typ. | Max. | Min. | Typ. | Max. | Typ. |
| | | I _F =20mA | | | V _R =5V | I _F =20mA | | | | | | |
| OSV1YL8131A | White | 3.0 | 3.4 | 3.8 | 10 | 2 | 4 | - | 360 | 365 | 370 | 30 |
| OSV2YL8131A | White | 3.0 | 3.4 | 3.8 | 10 | 2.5 | 4.5 | - | 370 | 375 | 380 | 30 |
| OSV3SL8131A | Purple | 3.0 | 3.4 | 3.8 | 10 | 8 | 10 | - | 380 | 385 | 390 | 30 |
| OSV4DL8131A | Purple | 3.0 | 3.4 | 3.8 | 10 | 12 | 14 | - | 390 | 395 | 400 | 30 |
| OSV5DL8131A | Purple | 3.0 | 3.4 | 3.8 | 10 | 12 | 14 | - | 400 | 405 | 410 | 30 |

*1 Tolerance of measurements of peak wavelength is ±1nm

*2 Tolerance of measurements of radiant flux is ±15%

*3 Tolerance of measurements of forward voltage is ±0.1V

| | | | | | |
|---|---|---|---|---|---|
| LED & Application Technologies |  |  |  |  | ATTENTION OBSERVE PRECAUTIONS ELECTROSTATIC SENSITIVE DEVICES |
| | ISO 9001: 2008 | | | The new EU chemicals legislation | |