

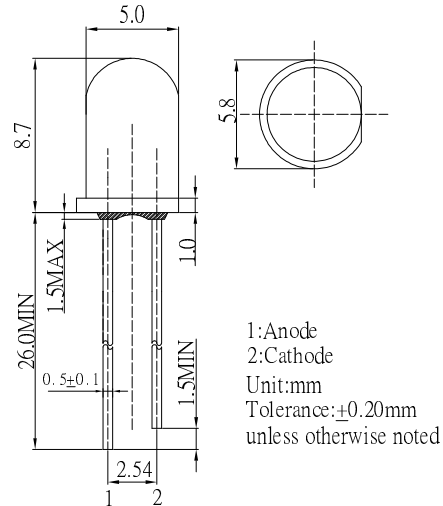
■Features

- High Luminous LEDs
- 5mm Round Standard Directivity
- Flashing Type
- Water Clear Type

■Applications

- Toys
- Games
- Back Lighting
- Other Lighting

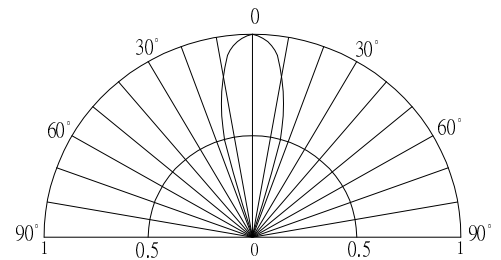
■Outline Dimension



■Absolute Maximum Rating (Ta=25°C)

| Item | Symbol | Value | Unit |
|----------------------------|---------|------------|------|
| Power Supply | Voltage | 5 | V |
| Operating Temperature | Topr | -30 ~ +85 | °C |
| Storage Temperature | Tstg | -40~ +100 | °C |
| Lead Soldering Temperature | Tsol | 260°C/5sec | - |

■Directivity



■Electrical -Optical Characteristics (Ta=25°C)

| Item | Symbo | Condition | Min. | Typ. | Max. | Unit |
|-----------------------|-------------------|----------------------|------|------|------|------|
| DC Forward Voltage* | V _{dd} | I _F =20mA | 3.0 | 3.3 | 5.0 | V |
| Oscillator Frequency* | F _{led} | I _F =20mA | - | 1.8 | - | Hz |
| Duty Cycle | Duty | I _F =20mA | - | 1/2 | - | - |
| Peak Wavelength* | λ _p | I _F =20mA | 400 | 405 | 410 | nm |
| Radiant flux* | Φ _e | I _F =20mA | 12 | 14 | 16 | mW |
| 50% Power Angle | 2θ _{1/2} | I _F =20mA | - | 30 | - | deg |

*1 Tolerance of measurements of peak wavelength is ±1nm
 *2 Tolerance of measurements of radiant flux is ±15%
 *3 Tolerance of measurements of forward voltage is ±0.1V
 *4 Tolerance of measurements of frequency is ±20%