

REVISION RECORD			
REV	ECN	DESCRIPTION	DRFT DATE

Technical characteristics:

Specifications
 DIN EN 60 664-1
 DIN EN 61 984

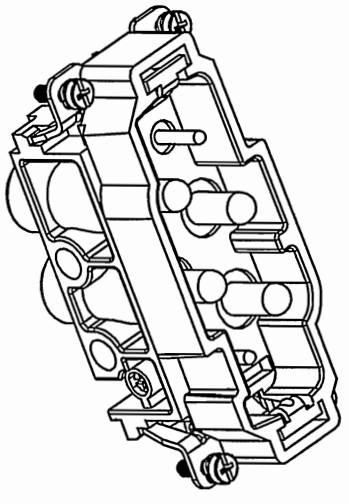
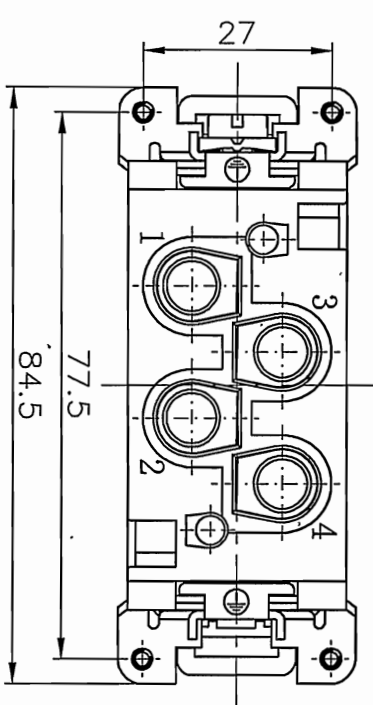
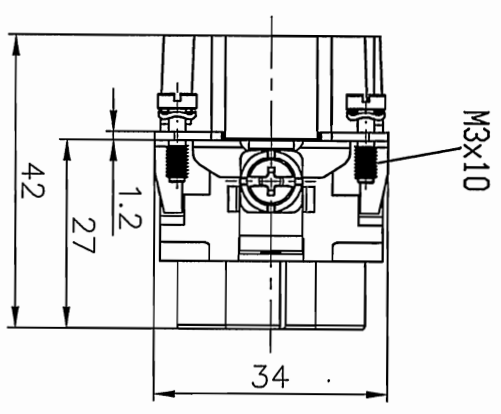
Inserts

01. Number of contacts : 4/2+PE
02. Rated Current : 80A/16A
03. Rated Voltage : 690V/400V
04. Pollution degree : 3
05. Rated impulse voltage : 8kV_u
06. Insulation resistance : $\geq 10^2$
07. Material: Polycarbonate
08. Rated voltage acc. to UL/CSA: 600V/300V
09. Limiting temperatures : -40°C~+125°C
10. Flammability acc. to UL94: V0
11. Mechanical working life (mating cycles) : ≥ 500

Contacts

- Power contacts
01. Material: Copper alloy
 02. Surface: hard-silver plated
 03. Contact resistance : $\leq 0.3m\Omega$
 04. Terminal : Screw terminal
 05. Wire gauge : 1.5-16mm² (AWG16-6)
 06. Tightening torque :

mm ²	1.5	2.5	4	6	10	16
Nm	1.2	2	3	3	3	3
 07. Stripping length : 14mm
 08. Rols Compliance



PART NO.:		DETACHED LISTS	
APPD:	115 2016.8.27	CHKD:	2016.8.18
DRFT:	yang	DRFT:	2016.07.28
NAME:	DK-4/0-M	TITLE:	CUSTOMER DRAWING
DRAWING NO.:	DK-4/0-M-E01	REV	DO-1
SCALE:	1:1	SHEET	1/1

DEGSON 宁波高松电子有限公司
 NINGBO DEGSON ELECTRICAL CO., LTD