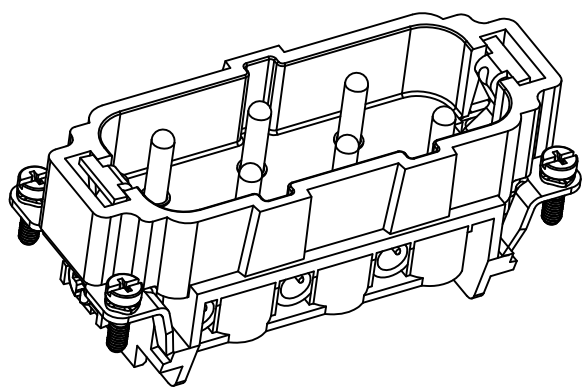
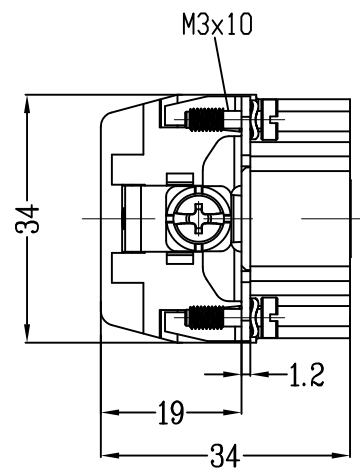
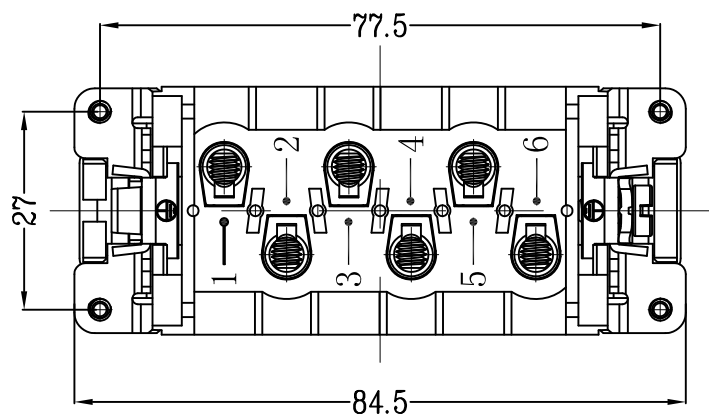


REVISION RECORD				
REV	ECN	DESCRIPTION	DRFT	DATE



Technical characteristics:

Specifications
 DIN EN 60 664-1
 DIN EN 61 984

Inserts

- 01. Number of contacts : 6+PE
- 02. Rated Current : 35A
- 03. Rated Voltage : 500V
- 04. Pollution degree : 3
- 05. Rated impulse voltage : 6kv₁₀
- 06. Insulation resistance : $\geq 10^{10} \Omega$
- 07. Material: Polycarbonate
- 08. Rated voltage acc. to UL/CSA: 600V
- 09. Limiting temperatures : -40°C ~ +125°C
- 10. Flammability acc. to UL94: V0
- 11. Mechanical working life (mating cycles) : ≥ 500

Contacts

- 01. Material: Copper alloy
- 02. Surface: hard-silver plated
- 03. Contact resistance : $\leq 1m \Omega$
- 04. Terminal : Screw terminal
- 05. Wire gauge : 6.0mm² (AWG 10)
- 06. Tightening torque : 1.2Nm
- 07. Stripping length : 7.5mm

DETACHED LISTS	PART NO.: /	宁波高松电子有限公司 NINGBO DEGSON ELECTRICAL CO., LTD		
	APPD:	NAME: DSB-006-M		
	CHKD:	DRFT: Mr. Yang 2016.09.18		
	THIRD ANGLE PROJECTION	DRAWING NO.: DSB-006-M-E01 MM (INCH)	TITLE: CUSTOMER DRAWING DO NOT SCALE DRAWING	REV: D0-1 SHEET: 1/1 SCALE: