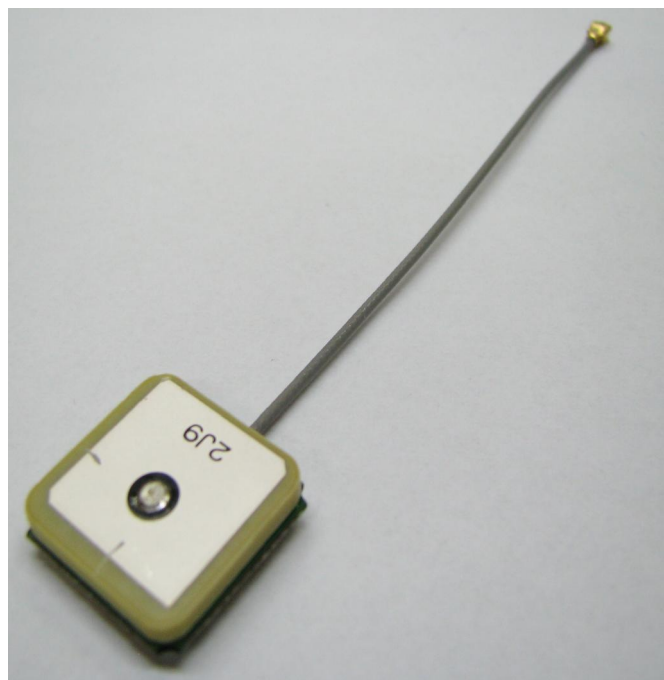


2JM015 (DATASHEET)

Type	GNSS module
Frequencies	GPS (1575.42 MHz)
Mounting	Embedded Patch Mount
Revision	00



D.Noble

1. SPECIFICATION

1.1. Electrical Specifications

Frequencies	GPS (1575.42 MHz)
Impedance	50 Ohms
Noise figure	1.5 dB
Polarization	RHCP
LNA Gain	14.8 dB
Voltage supply	1.5 V - 3.6 V
Current	4 mA
Power (max.)	14.4 mW
Operating temperature	-40°C to +85°C

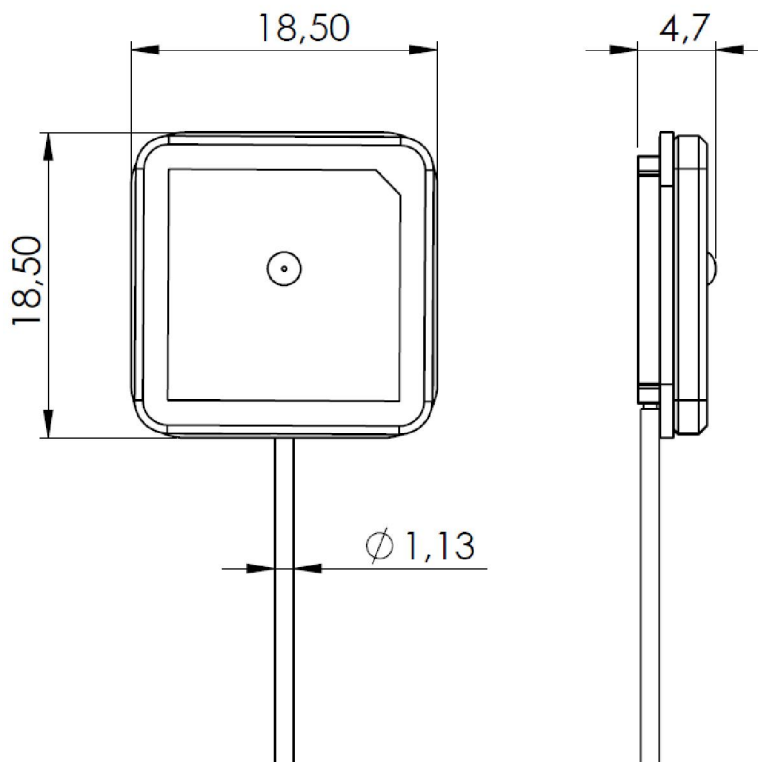
1.2. Connection Specifications

Connector type: U.FL
 Cable: Microcoax 1,13mm
 Cable length: 10 cm

For different cable length and connector type ask our sales team.

1.3. Mechanical Specifications and Dimensions

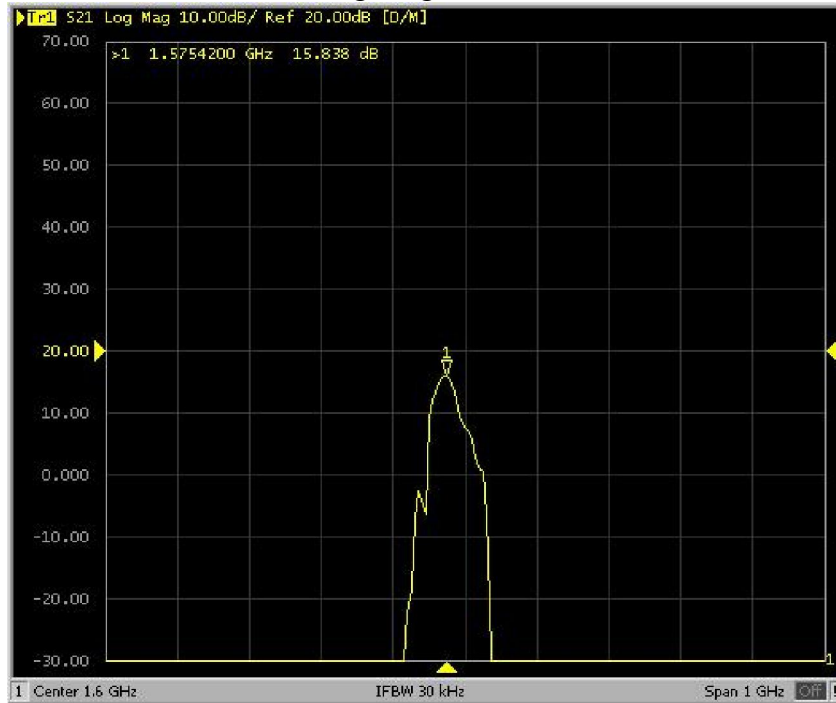
Max. dimensions: 18.5mm x 18.5mm x 4,7mm



2. MEASUREMENT

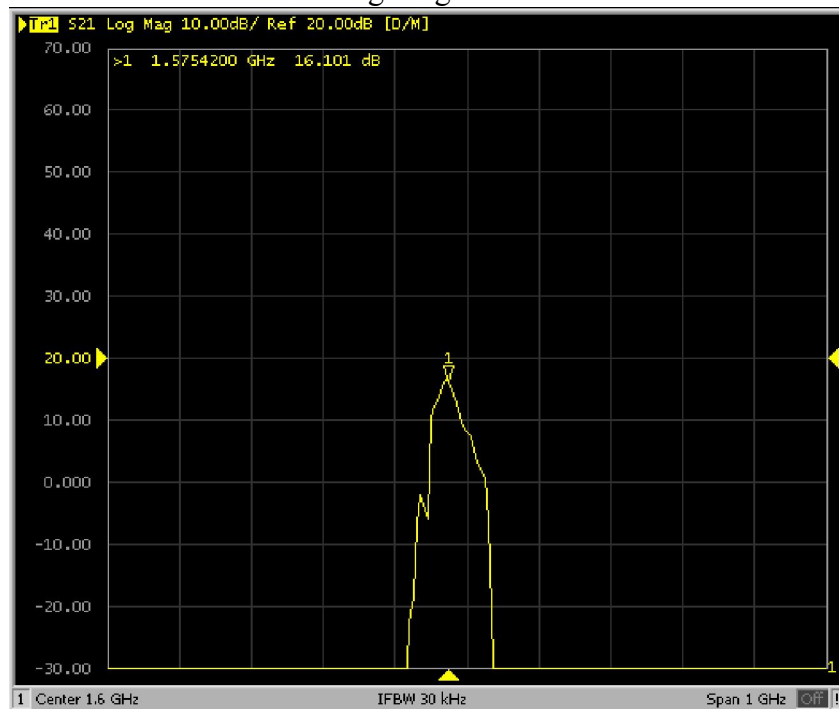
2.1. GPS

Log Mag at 1.5V



Tested with 20cm cable length

Log Mag at 3V



Tested with 20cm cable length

3. IMAGES

