

GPS Passive Antenna

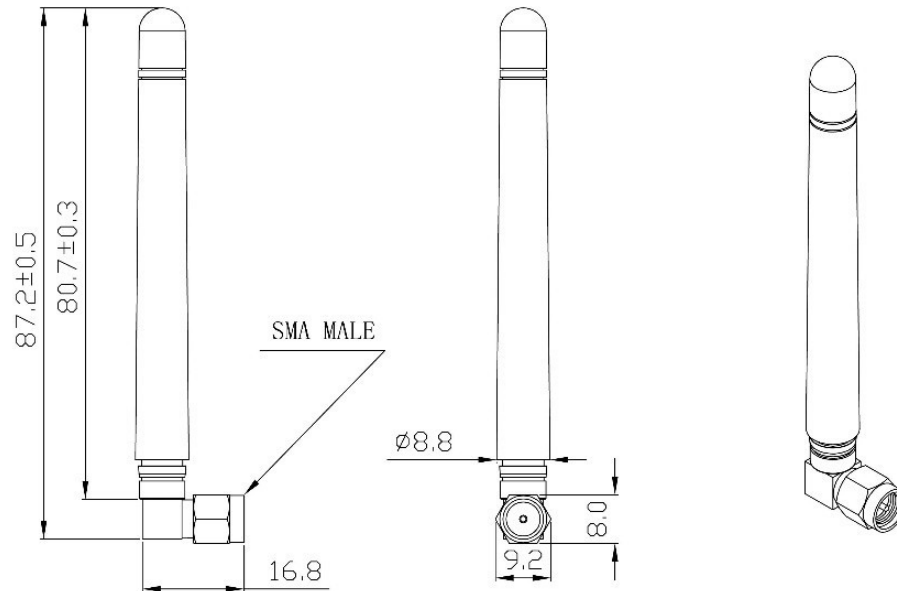
Model : GSM-ANT015

1 Part Number

GSM-ANT015



2 Dimension (Unit : mm)



UNIT : mm

3 Electrical Characteristics

Item	Specifications	
Antenna	Frequency Range	824~894/1710~2170MHz or 880~960/1710~2170MHz
	Polarization	Linear
	Gain	2dBi (Zenith)
	V.S.W.R (min)	< 2.5
	Impedance	50Ω
	Connector	SMA Male
Environmental	Operating Temperature	-40℃~+85℃
	Vibration	10 to 55Hz with 1.5mm amplitude 2hours
	Environmentally Friendly	ROHS Compliant

3.2 Radiation Pattern

