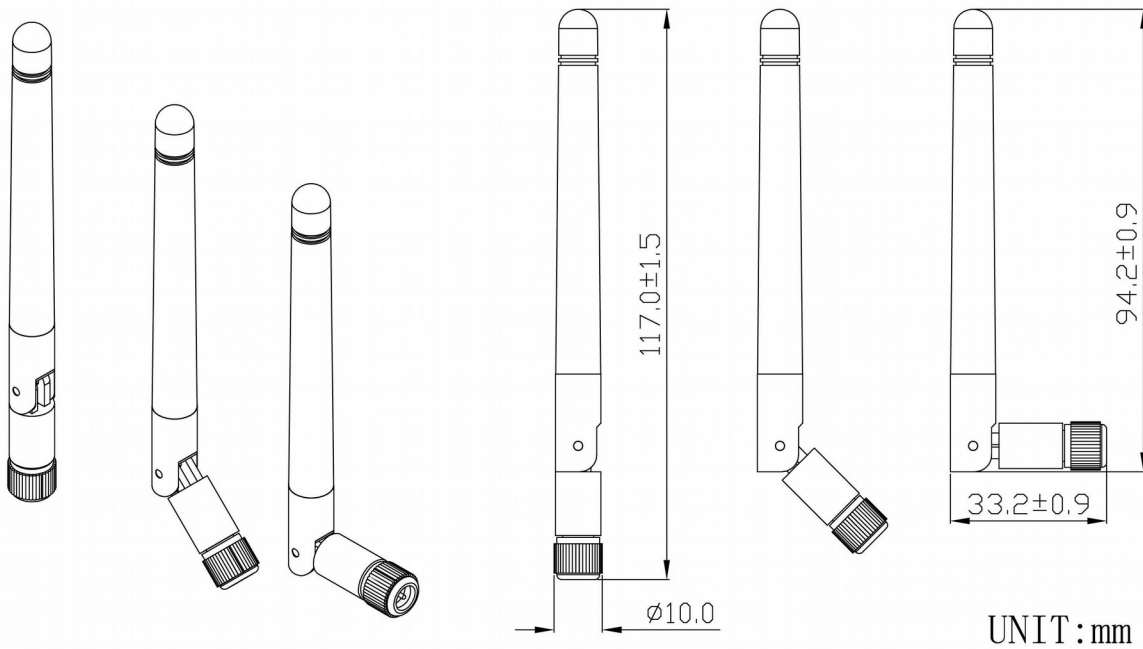


GSM Antenna



DIMENSIONS



SPECIFICATIONS

Item	Specifications	
Antenna	Frequency Range	824~960/1710~1990MHz
	Polarization	Linear
	Gain	3dBi (Zenith)
	V.S.W.R(min)	< 2.5
	Impedance	50 Ω
	Connector	SMA Male or FME
Environmental	Operating Temperature	-40°C~+85°C
	Vibration	10 to 55Hz with 1.5mm amplitude 2hours
	Environmentally Friendly	ROHS Compliant

Radiation Pattern

