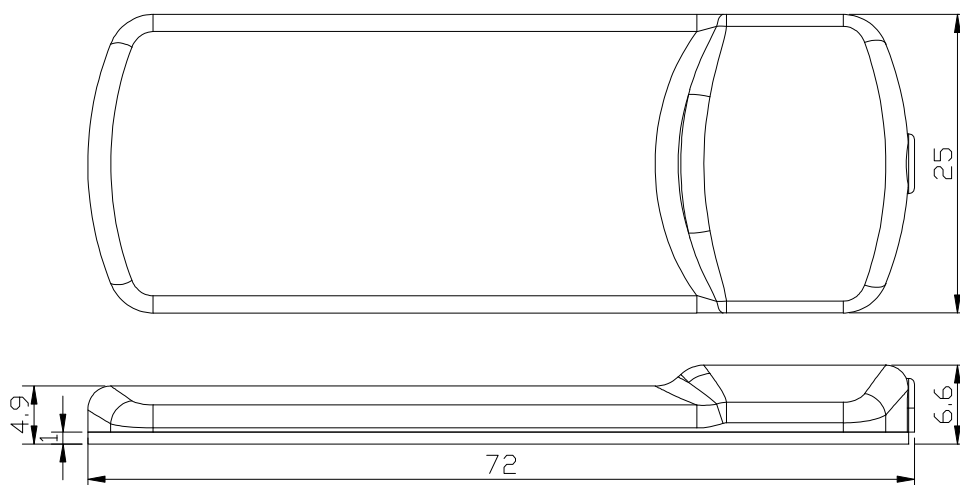


GSM Antenna

Model : GSM-ANT107



DIMENSIONS



SPECIFICATIONS

No.	Item	Specifications
1	Frequency (MHz)	824 ~ 894 MHz/1710 ~ 1990 MHz 1920 ~ 2170 MHz 2400 ~ 2500 MHz
2	V.S.W.R(5m)	$\leq 2.0 : 1$
3	Gain (Zenith)	2 dBi
4	Impedance	50 Ω

3.2 Mechanical

Form 2

No.	Item	Specification
1	Cable	RG 174 3m/5m or others
2	Connector	SMA/MMCX or others
3	Plastic Housing	Black
4	Mounting	Adhesive