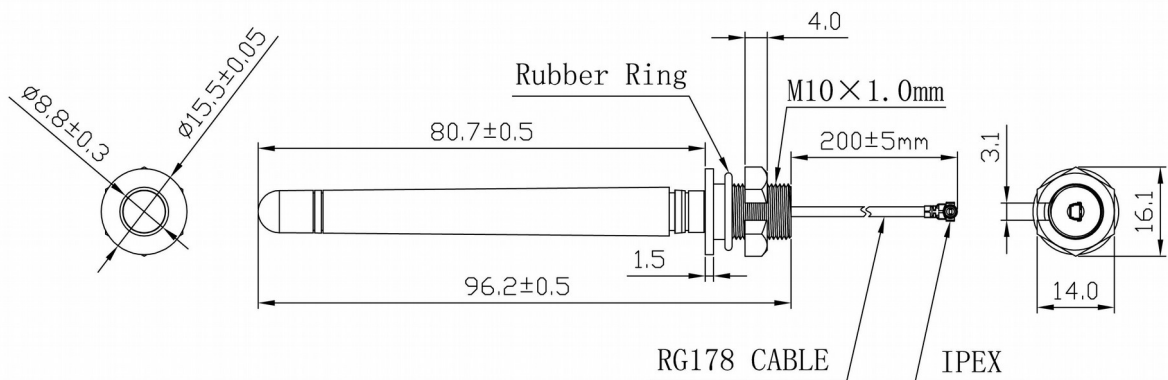


## GSM Antenna

Model : GSM-ANT110



### DIMENSIONS



Unit: mm

## SPECIFICATIONS

Item	Specifications	
Antenna	Frequency Range	880~960/1710~2170MHz
	Polarization	Linear
	Gain	2dBi ( Zenith )
	V.S.W.R ( min )	< 2.0
	Impedance	50Ω
Mechanical	Cable	RG178
	Connector	IPEX or others
	Mounting Method	Screw
Environmental	Operating Temperature	-40°C~+85°C
	Relative Humidity	Up to 95%
	Vibration	10 to 55Hz with 1.5mm amplitude 2hours
	Environmentally Friendly	ROHS Compliant

## RADIATION PATTERN

