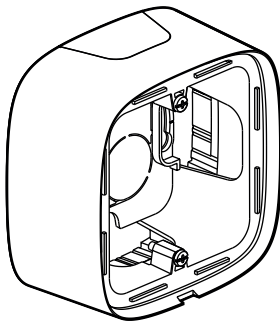
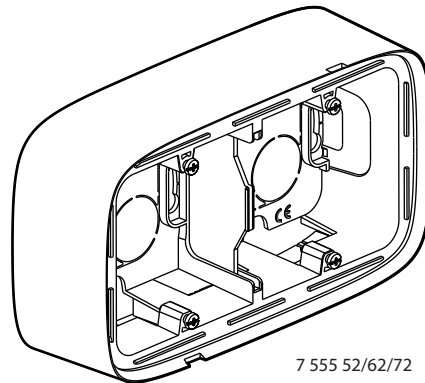


Valena™ Allure Surface mounting boxes

Catalogue number(s): 7 555 51/61/71 - 7 555 52/62/72



7 555 51/61/71



7 555 52/62/72

1. USE

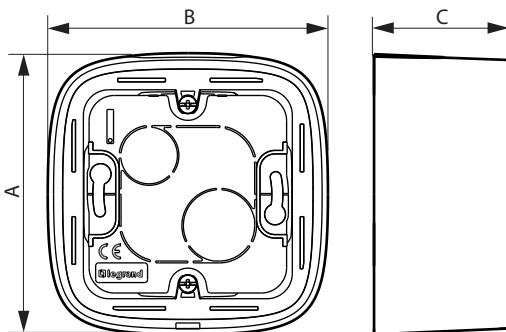
Horizontal or vertical mounting.
 Entry for installation on 20 x 15.5 mm, 32 x 12.5 mm, 40 x 20 mm mini trunking and Ø 20 mm conduit.
 Boxes receive composable mechanisms.

2. RANGE

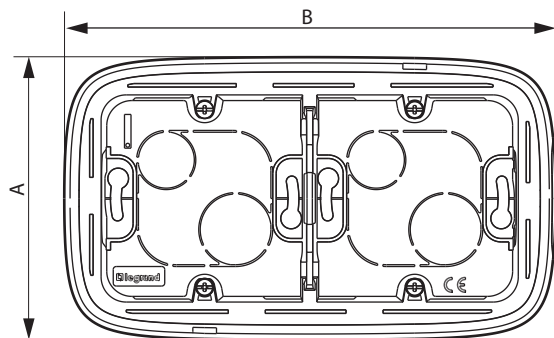
Description	White	Ivory	Aluminium
Surface mounting boxe 1-gang	7 555 51	7 555 61	7 555 71
Surface mounting boxe* 2-gang	7 555 52	7 555 62	7 555 72

* 2-gang boxe supplied with divider for low and high current.

3. OVERALL DIMENSIONS (mm)



3. OVERALL DIMENSIONS (mm) (continued)



	A	B	C
1-gang	94	94	45
2-gang	95.5	166	45

4. TECHNICAL CHARACTERISTICS

■ 4.1 Material characteristics

Material: ABS
 Divider: PC
 Colours: White RAL 9003
 Ivory: RAL 1013
 Aluminium painting
 UV resistant
 Halogen free
 Self-extinguishing: 650°C / 30 s

■ 4.2 Climatical characteristics

Use and storage temperature: - 10° C to + 40° C