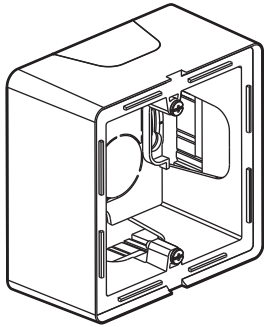
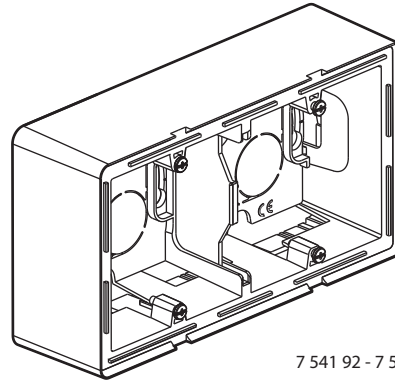


Valena™ Life Surface mounting boxes

Catalogue number(s): 7 541 91/92 - 7 542 01/02/11/12



7 541 91 - 7 542 01/11



7 541 92 - 7 542 02/12

1. USE

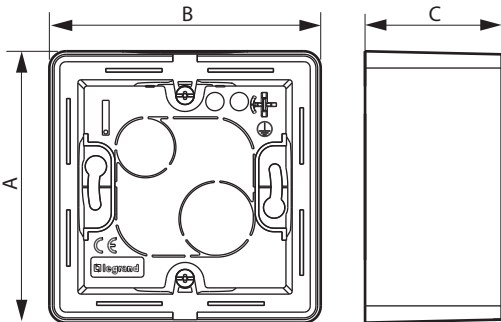
Horizontal or vertical mounting.
 Entry for installation on 20 x 15.5 mm, 32 x 12.5 mm, 40 x 20 mm mini trunking and Ø 20 mm conduit.
 Boxes receive composable mechanisms.

2. RANGE

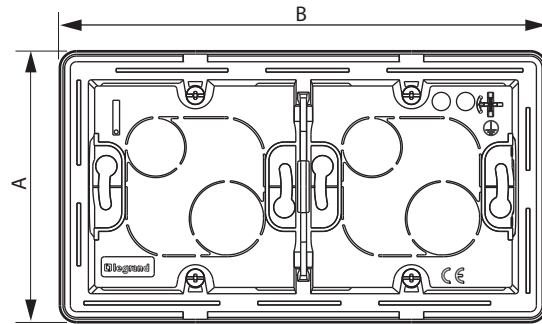
| Description | White | Ivory | Aluminium |
|-------------------------------|----------|----------|-----------|
| Surface mounting boxe 1-gang | 7 541 91 | 7 542 01 | 7 542 11 |
| Surface mounting boxe* 2-gang | 7 541 92 | 7 542 02 | 7 542 12 |

* 2-gang boxe supplied with divider for low and high current.

3. OVERALL DIMENSIONS (mm)



3. OVERALL DIMENSIONS (mm) (continued)



| | A | B | C |
|--------|----|-----|------|
| 1-gang | 89 | 89 | 44.8 |
| 2-gang | 89 | 160 | 44.8 |

4. MATERIAL CHARACTERISTICS

Material: ABS
 Divider: PC
 Colours: White RAL 903
 Ivory: RAL 113
 Aluminium
 UV resistant
 Halogen free
 Self-extinguishing: 650°C / 30 s