

# CLW-1512-W2E-EA series

12V / 1.25A Wall Mounted Type Constant Voltage Power Supply



## ■ Features:

- Universal AC input / Full range
- ErP step II / CEC level V compliance
- Protections: Over current / Short circuit



## ELECTRICAL SPECIFICATION

MODEL	CLW 1512 W2E EA
<b>OUTPUT</b>	
Rated Voltage	12V
Rated Current	1.25A
Current Range	0 ÷ 0.1.25A
Rated Power	15W
Line Regulation	± 1%
Load Regulation	± 5%
Tolerance [3]	± 5%
Ripple & Noise (max.) [2]	150mV <sub>p-p</sub>
Setup, Rise Time [4]	3000ms, 50ms / 230VAC at full load
Hold up Time (typ.)	8ms / 230VAC at full load
<b>INPUT</b>	
Voltage Range	90 ÷ 264VAC
Frequency Range	47 ÷ 63Hz
Efficiency (typ.)	79%
AC Current (typ.)	0.5A / 115VAC, 0.25A / 230VAC
Inrush Current (typ.)	30A / 115VAC, 60A / 230VAC
Leakage Current (max.)	0.25mA / 240VAC
<b>PROTECTIONS</b>	
Over Current	Type: hiccup mode, auto-recovery.
Short Circuit	Type: hiccup mode, auto-recovery.

# CLW-1512-W2E-EA series



12V / 1.25A Wall Mounted Type Constant Voltage Power Supply

## WORKING ENVIRONMENT

<b>Working Temperature</b>	0°C ÷ 40°C
<b>Working Humidity</b>	10 ÷ 90% RH non-condensing
<b>Storage Temperature and Humidity</b>	-20°C ÷ 85°C, 5 ÷ 90% RH non-condensing

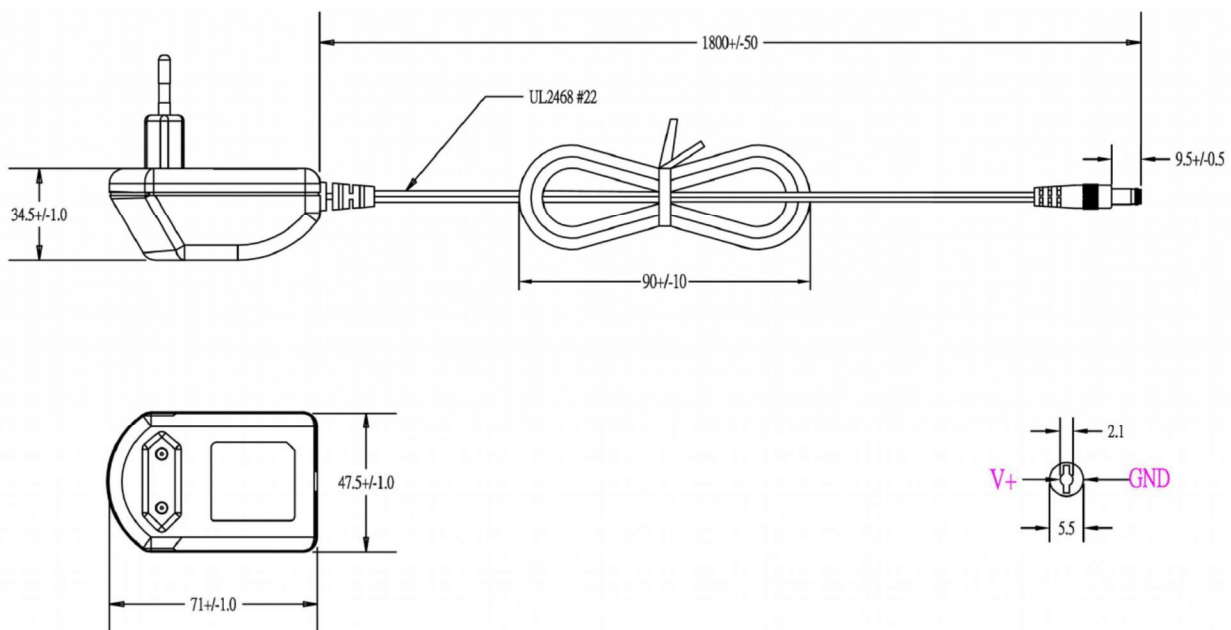
## SAFETY and EMC REGULATIONS

<b>Safety Standards</b>	Compliance to EN 60950-1
<b>Withstand Voltage</b>	IN/OUT: 4242kVDC
<b>Isolation Resistance</b>	IN/OUT: 50MΩ/500VDC/25°C/70%
<b>EMC Emission</b>	Compliance to EN55032
<b>EMC Immunity</b>	EN61000-4-2, -3, 4, 5, 6, 8, 11
<b>Harmonic Current</b>	Compliance to EN61000-3-3; EN61000-3-2

## OTHERS

<b>Dimensions</b>	34.5 x 47.5 x 71mm (L x W x H)
<b>Weight</b>	140g

## MECHANICAL SPECIFICATION



# CLW-1512-W2E-EA series

*12V / 1.25A Wall Mounted Type Constant Voltage Power Supply*

