



CLD-12012-T2-EB

12V / 10A desktop type AC/DC adaptor

■ Features:

- Universal AC input / Full range
- Desktop type, Isolation class II design
- ErP step II / CEC level VI compliance
- No load power consumption $P < 0.08W$
- Protections: Overload / Short circuit / Over Temperature



ELECTRICAL SPECIFICATION

| | |
|-------|-----------------|
| MODEL | CLD-12012-T2-EB |
|-------|-----------------|

OUTPUT

| | |
|---------------------------|-----------------------------------|
| Rated Voltage | 12V |
| Rated Current | 10A |
| Current Range | 0 ÷ 10A |
| Rated Power | 120W |
| Line Regulation | ± 1% |
| Load Regulation | ± 5% |
| Tolerance [3] | ± 8% |
| Ripple & Noise (max.) [2] | 300mV _{p-p} |
| Setup, Rise Time [4] | 300ms, 50ms / 230VAC at full load |
| Hold up Time (typ.) | 50ms / 230VAC at full load |

INPUT

| | |
|----------------------------------|------------------------------|
| Voltage Range | 90 ÷ 264VAC |
| Frequency Range | 47 ÷ 63Hz |
| Efficiency (typ.) | 86.04% |
| AC Current (typ.) | 2.2A / 115VAC, 1.1A / 230VAC |
| No load Power Consumption (max.) | 0.8W |

PROTECTIONS

| | |
|---------------|--|
| Overload | Range: 140 ÷ 180% Type: hiccup mode, auto-recovery. |
| Short Circuit | Type: hiccup mode, auto-recovery. |



CLD-12012-T2-EB

12V / 10A desktop type AC/DC adaptor

WORKING ENVIRONMENT

| | |
|---|---|
| Working Temperature | 0°C ÷ 40°C |
| Working Humidity | 10 ÷ 90% RH non-condensing |
| Storage Temperature and Humidity | -20°C ÷ 85°C, 5 ÷ 90% RH non-condensing |

SAFETY and EMC REGULATIONS

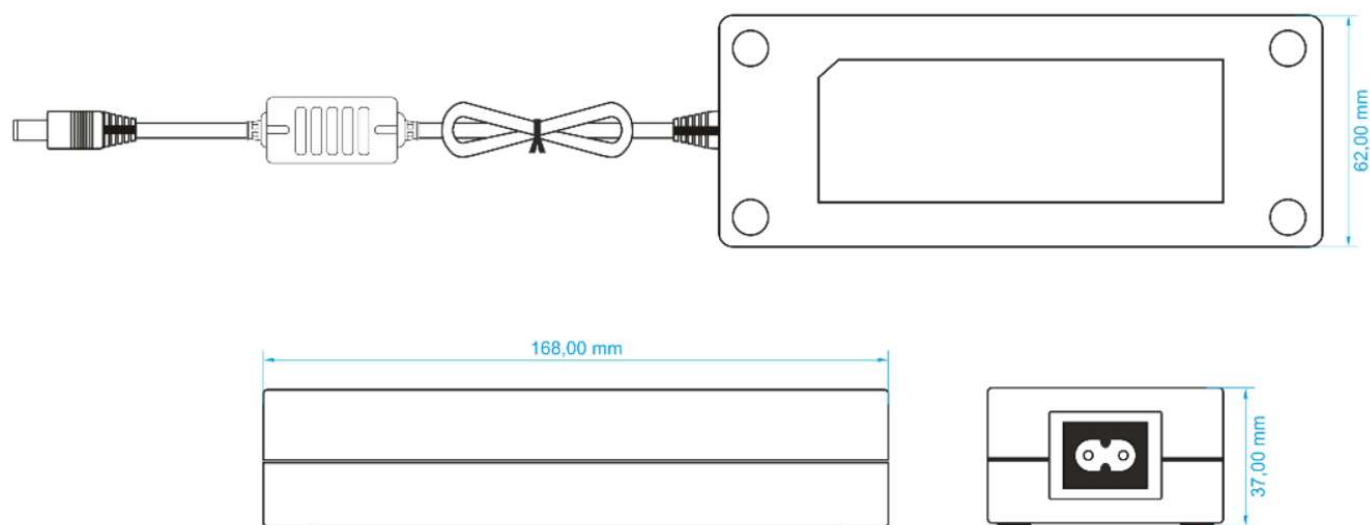
| | |
|-----------------------------|--|
| Safety Standards | Compliance to EN 62368 |
| Withstand Voltage | IN/OUT: 3.6kVAC |
| Isolation Resistance | IN/OUT: 50MΩ/500VDC/25°C/70% |
| EMC Emission | Compliance to EN55032 |
| EMC Immunity | Compliance to EN61000-4-2, -3, -4, -5 |
| Harmonic Current | Compliance to EN61000-3-3; EN61000-3-2 |

OTHERS

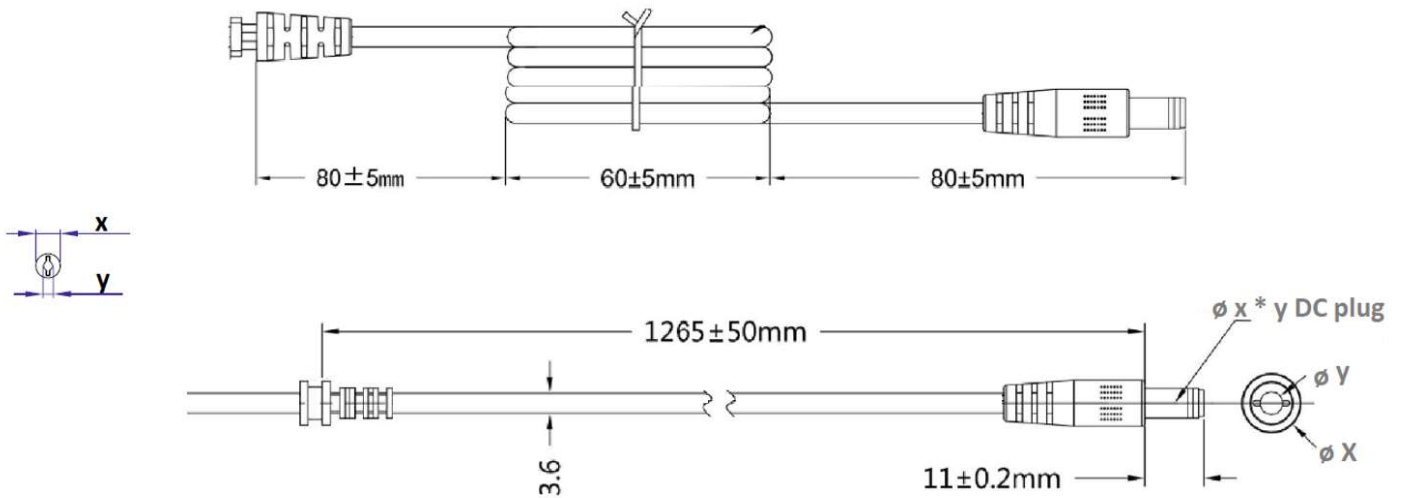
| | | |
|-------------------------|-----------------------------------|--------------------------------|
| AC Inlet | IEC 320-C8 | |
| DC Wire and plug | Wire: 18AWG, length = 105cm ±50mm | Plug: 2.1/5.5, positive inside |
| Dimensions | 95 x 68 x 31mm (L x W x H) | |
| Net Weight | 498g | |

1. All parameters NOT specially mentioned are measured at 230VAC input, rated load and 25°C of ambient temperature.
2. Ripple & noise are measured at 20MHz of bandwidth by using a 12" twisted pair-wire terminated with a 0.1µF i 47µF parallel capacitor.
3. Tolerance includes set up tolerance, line regulation and load regulation.
4. Setup and rise time is measured from 0 to 90% rated output voltage.
5. Power supply is considered as component not indented to apply by end-user. Power supply meets safety and EMC standards however the final equipment with power supply must be re-quality to comply with EMC Directives.

MECHANICAL SPECIFICATION



MECHANICAL SPECIFICATION - Wire and plug



| *MODEL | DC PLUG | X [mm] | Y [mm] | Polarity |
|------------------------|------------------|------------|------------|------------------------|
| CLD-12012-T2-EB | 5.5x2.1mm | 5.5 | 2.1 | center positive |
| CLD-12012-T2-EB25 | 5.5x2.5mm | 5.5 | 2.5 | center positive |
| CLD-12012-T2-EB13 | 3.5x1.3mm | 3.5 | 1.3 | center positive |
| CLD-12012-T2-EB40 | 4.0x1.7mm | 4.0 | 1.7 | center positive |
| CLD-12012-T2-EB48 | 4.8x1.7mm | 4.8 | 1.7 | center positive |
| CLD-12012-T2-EB-CN | 5.5x2.1mm | 5.5 | 2.1 | center negative |
| CLD-12012-T2-EB25-CN | 5.5x2.5mm | 5.5 | 2.5 | center negative |
| CLD-12012-T2-EB13-CN | 3.5x1.3mm | 3.5 | 1.3 | center negative |
| CLD-12012-T2-EB40-CN | 4.0x1.7mm | 4.0 | 1.7 | center negative |
| CLD-12012-T2-EB48-CN | 4.8x1.7mm | 4.8 | 1.7 | center negative |