



# CLD-3612-T2-EB

12V / 3A Wall mounted type AC/DC adaptor

## ■ Features:

- Universal AC input / Full range
- Wall mounted type, Isolation class II design
- ErP step II / CEC level VI compliance
- No load power consumption  $P < 0.075W$
- Protections: Overload / Short circuit / Over Temperature



## ELECTRICAL SPECIFICATION



MODEL	CLD-3612-T2-EB
-------	----------------

### OUTPUT

Rated Voltage	12V
Rated Current	3A
Current Range	0 ÷ 3A
Rated Power	36W
Line Regulation	± 2%
Load Regulation	± 5%
Tolerance [3]	± 8%
Ripple & Noise (max.) [2]	120mV <sub>p,p</sub>
Setup, Rise Time [4]	1000ms, 20ms / 230VAC at full load
Hold up Time (typ.)	10ms / 230VAC at full load

### INPUT

Voltage Range	90 ÷ 264VAC
Frequency Range	47 ÷ 63Hz
Efficiency (typ.)	87%
AC Current (typ.)	0.58A / 115VAC, 0.32A / 230VAC
No load Power Consumption (max.)	0.075W

### PROTECTIONS

Overload	Range: 140 ÷ 170% Type: hiccup mode, auto-recovery.
Short Circuit	Type: hiccup mode, auto-recovery.
Over voltage	Range: 12 ÷ 18V Type: hiccup mode, auto-recovery



# CLD-3612-T2-EB

12V / 3A Wall mounted type AC/DC adaptor

## WORKING ENVIRONMENT

<b>Working Temperature</b>	0°C ÷ 40°C
<b>Working Humidity</b>	10 ÷ 90% RH non-condensing
<b>Storage Temperature and Humidity</b>	-20°C ÷ 85°C, 5 ÷ 90% RH non-condensing

## SAFETY and EMC REGULATIONS

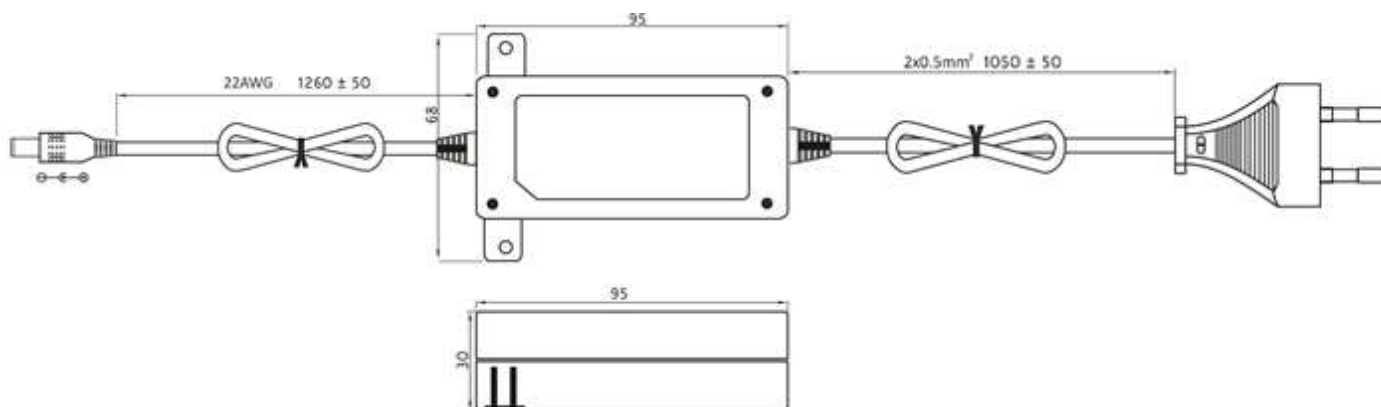
<b>Safety Standards</b>	Compliance to EN 62368
<b>Withstand Voltage</b>	IN/OUT: 3.6kVAC
<b>Isolation Resistance</b>	IN/OUT: 100MΩ/500VDC/25°C/70%
<b>EMC Emission</b>	Compliance to EN55032
<b>EMC Immunity</b>	Compliance to EN61000-4-2, -3, -4, -5
<b>Harmonic Current</b>	Compliance to EN61000-3-3; EN61000-3-2

## OTHERS

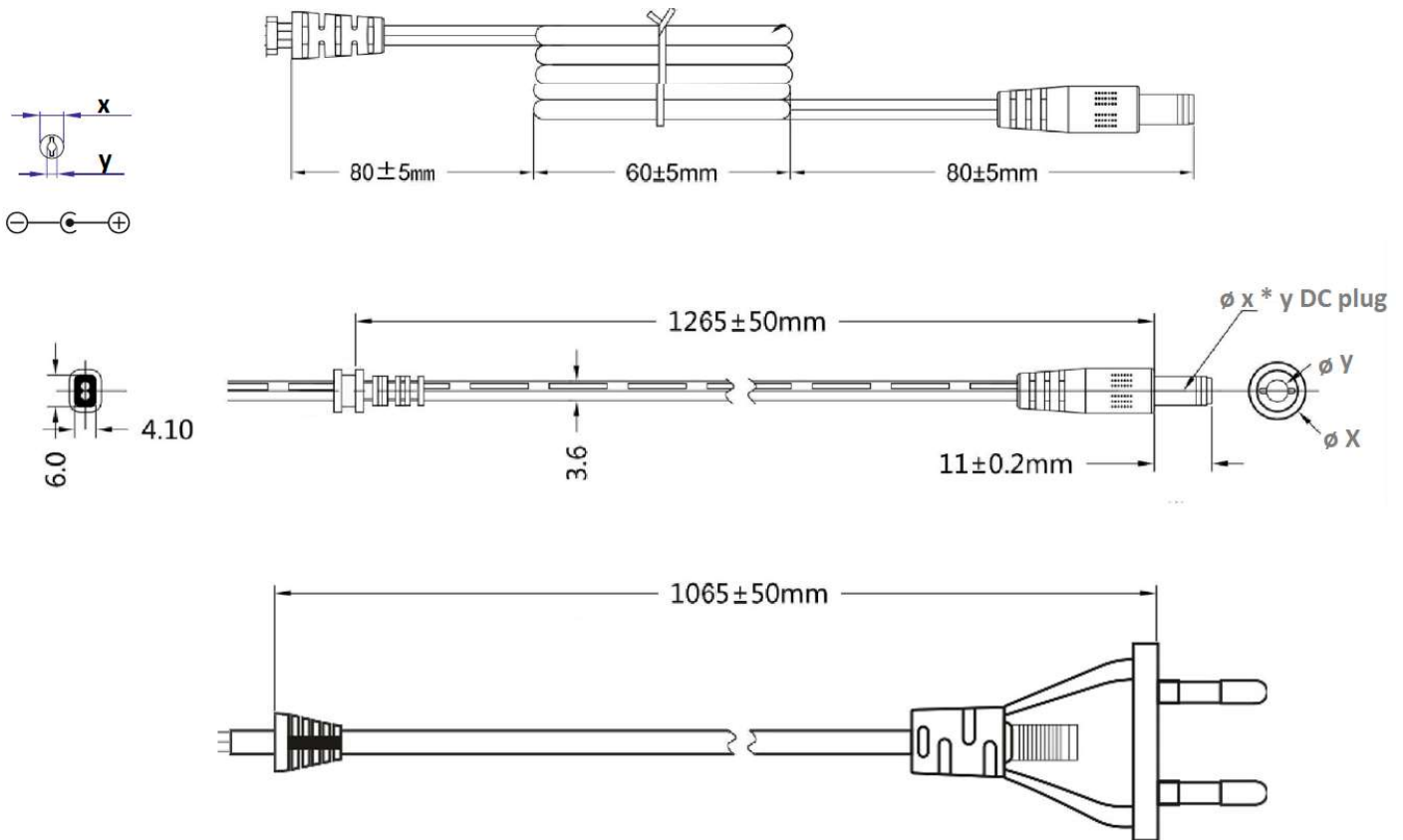
<b>Wire and plug</b>	Wire: 20AWG, length = 105cm ±50mm	Plug: AC230V
	Wire: 22AWG, length = 105cm ±50mm	Plug: 2.1/5.5, positive inside
<b>Dimensions</b>	95 x 68 x 31mm (L x W x H)	
<b>Net Weight / gross</b>	180g / 209g	

1. All parameters NOT specially mentioned are measured at 230VAC input, rated load and 25°C of ambient temperature.
2. Ripple & noise are measured at 20MHz of bandwidth by using a 12" twisted pair-wire terminated with a 0.1µF i 47µF parallel capacitor.
3. Tolerance includes set up tolerance, line regulation and load regulation.
4. Setup and rise time is measured from 0 to 90% rated output voltage.
5. Power supply is considered as component not indented to apply by end-user. Power supply meets safety and EMC standards however the final equipment with power supply must be re-quality to comply with EMC Directives.

## MECHANICAL SPECIFICATION



## MECHANICAL SPECIFICATION - Wire and plug



*MODEL	DC PLUG	X [mm]	Y [mm]	Polarity
<b>CLD-3612-T2-EB</b>	<b>5.5x2.1mm</b>	<b>5.5</b>	<b>2.1</b>	<b>center positive</b>
CLD-3612-T2-EB25	5.5x2.5mm	5.5	2.5	center positive
CLD-3612-T2-EB13	3.5x1.3mm	3.5	1.3	center positive
CLD-3612-T2-EB40	4.0x1.7mm	4.0	1.7	center positive
CLD-3612-T2-EB48	4.8x1.7mm	4.8	1.7	center positive
CLD-3612-T2-EB-CN	5.5x2.1mm	5.5	2.1	center negative
CLD-3612-T2-EB25-CN	5.5x2.5mm	5.5	2.5	center negative
CLD-3612-T2-EB13-CN	3.5x1.3mm	3.5	1.3	center negative
CLD-3612-T2-EB40-CN	4.0x1.7mm	4.0	1.7	center negative
CLD-3612-T2-EB48-CN	4.8x1.7mm	4.8	1.7	center negative