

# ESPE-6524-P3L

▪ high quality desktop 24 V power supply

## FEATURES:

- compact design
- high power output
- premium class design
- fully protected
- safe and reliable
- high efficiency - DoE Level VI and ErP compliance

## APPLICATIONS:

- consumer electronics
- office equipment
- general purpose
- computer devices
- POS, POI equipment



**ESPE-6524-P3L** is a compact and efficient 65-watt desktop power unit for various types of electronic devices. It is based on high quality electronic components that allow continuous, long-lasting work in all conditions. It is reliable, fully secured and stable. It provides high efficiency and excellent specification.

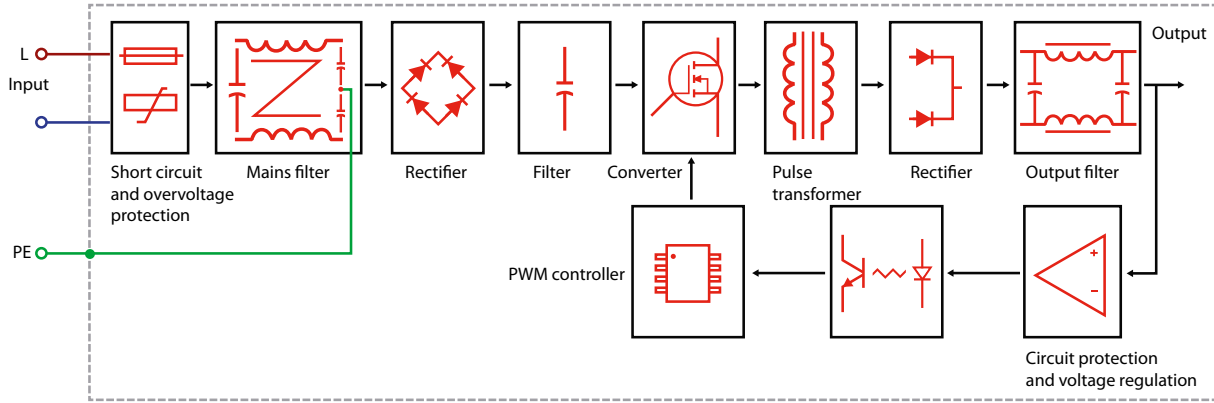
## TECHNICAL SPECIFICATION

Group	Parameter	Value	Conditions
Input	Rated input voltage	220-240 VAC	
	Input voltage range	200-264 VAC	
	Mains frequency range	47-53 Hz	
	AC current (max.)	0.8 A	At 200 VAC and full load
	Inrush current (max.)	60 A	
	No load power consumption	0.15 W	
	Input leakage current (max.)	Max. 0.25 mA	At 264 VAC
	Power factor correction	No	
Output	Rated output voltage	24 V	
	Rated output power	65 W	
	Rated output current	2.7 A	
	Average efficiency	91%	At 230 VAC
	Efficiency at 10% load	89%	
	Line regulation	±3%	
	Load regulation	±5%	
	Ripple and noise	300 mVp-p	At 240 VAC
	Minimal output current	No	
	Hold up time (max.)	Over 5 ms	At 230 VAC and full load
	DC voltage rise time (max.)	Up to 40 ms	At 230 VAC and full load
Turn on delay time (max.)	Up to 3 s	At 230 VAC and full load	
Environmental	Working temperature	0 to +40°C	
	Working humidity	25% to 75% RH	40°C
	Storage temperature	-10°C to +80°C	
	Cooling method	Free air circulation	
Protection	Short circuit	Yes	
	Overcurrent	Yes	
	Output overvoltage	Yes	
	Automatic recovery on fault remove	Yes	
Safety and EMC	Withstand isolation voltage	3 kVAC (input to output)	5 mA, 1 min
	Isolation resistance	100 MΩ	500 VDC
	Isolation class	2	
	Safety compliance	EN62368	
	EMC compliance	EN55022 class B	
	Marking	RoHS, CE	
Mechanical and features	Enclosure	Black ABS plastic	
	Dimension	116 × 52 × 33 mm	
	Weight	236 g	L × W × H
	Output connector	DC Jack angled 2.1 × 5.5 × 11 mm	
	Input connector	IEC320 C13 3-pole socket	Plus in the middle
	Output cable	1.4 m	
	Single package	146 × 63 × 70 mm	0.82 mm <sup>2</sup>
	Packing	340 × 310 × 370 mm	
	Manufacturing	China	50 pieces
	Warranty	3 years	
Gwarancja	3 lata		

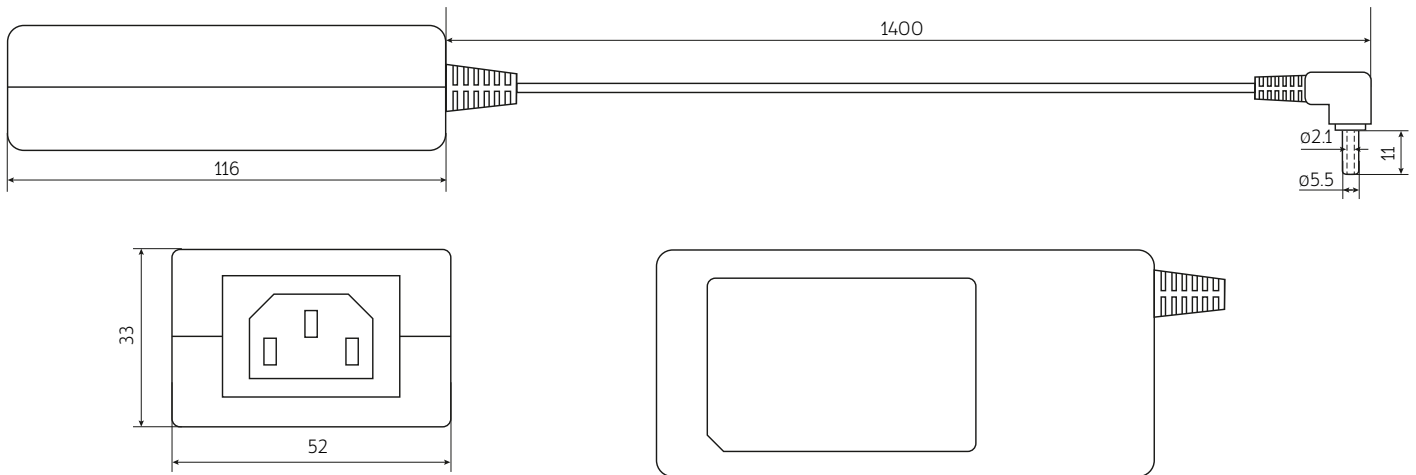
## Notes:

Unless otherwise stated, all parameters are specified at 230 VAC input voltage, 50 Hz, ambient temperature 25°C and relative humidity 70% for rated load output. The values of parameters related to the output voltage regulation is measured from low to high line or for load changes from 0 to 100%, respectively. The power supply is considered as an independent unit, but the final equipment still need to reconfirm that the whole system complies with the EMC directives. If the PSU is installed in the final device as a subassembly, the tests should be repeated to verify that the system has been met compliance. Detailed technical data are available on request.

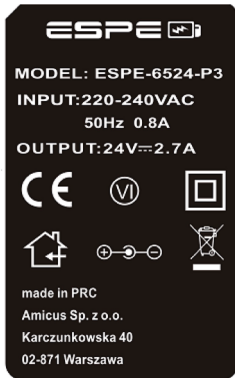
## BLOCK DIAGRAM



## MECHANICAL SPECIFICATION



## PRODUCT LABEL



### Legend to the label icons:

- - II safety class: no grounding is required, no dangerous voltage even in an emergency situation will appear on output
- 🏠 - power supply intended for indoor use only
- VI - high efficiency and low no load power consumption, meeting the requirements of Energy Star Compliance Level 6
- ⊖ - polarization: plus in the middle, minus outside
- ♻️ - the product must not be disposed of in normal waste containers

## MARKING SYSTEM

### ESPE-6524-P3L

- Input socket type **P3**
- Rated output voltage **24 V**
- Output power **65 W**
- Family **ESPE**

## OTHER POWER SUPPLIES IN THIS SERIES

Model	ESPE-3624-T2	ESPE-6524-P3	ESPE-6524-P3L	ESPE-9024-P3	ESPE-12024-P3
Rated output voltage	24 V	24 V	24 V	24 V	24 V
Rated output current	1.25 A	2.7 A	2.7 A	3.75 A	5 A
Rated output power	36 W	65 W	65 W	90 W	120 W
Plug type	DC Jack 2.1*5.5*11 mm – straight		DC Jack 2.1*5.5*11 mm – angled	DC Jack 2.1*5.5*10 mm – straight	DC Jack 2.1*5.5*11 mm – angled