

POSB12200D-2555 series

12V / 2A Desktop type AC/DC adaptor



■ Features:

- Universal AC input / Full range
- ErP step II / CEC level VI compliance
- No load power consumption $P < 0.075W$
- Protections: Overload / Short circuit / Over Voltage



ELECTRICAL SPECIFICATION

| | |
|-------|------------------|
| MODEL | POSB 12200D-2555 |
|-------|------------------|

OUTPUT

| | |
|-----------------------|------------------------------------|
| Rated Voltage | 12V |
| Rated Current | 2A |
| Current Range | 0 ÷ 2A |
| Rated Power | 24W |
| Line Regulation | ± 2% |
| Load Regulation | ± 5% |
| Tolerance | ± 8% |
| Ripple & Noise (max.) | 120mV _{p-p} |
| Setup, Rise Time | 1000ms, 20ms / 230VAC at full load |
| Hold up Time (typ.) | 50ms / 230VAC at full load |

INPUT

| | |
|----------------------------------|---------------|
| Voltage Range | 90 ÷ 264VAC |
| Frequency Range | 47 ÷ 63Hz |
| Efficiency (typ.) | 86.34% |
| AC Current (typ.) | 0.5A / 230VAC |
| No load Power Consumption (max.) | 0.075W |

PROTECTIONS

| | |
|---------------|-----------------------------------|
| Overload | Range: 140-170% Auto-recovery. |
| Short Circuit | Type: hiccup mode, auto-recovery. |
| Over Voltage | Type: auto-recovery. |

POSB12200D-2555 series

12V / 2A Desktop type AC/DC adaptor



WORKING ENVIRONMENT

| | |
|---|---|
| Working Temperature | 0°C ÷ 40°C |
| Working Humidity | 5 ÷ 90% RH non-condensing |
| Storage Temperature and Humidity | -20°C ÷ 85°C, 5 ÷ 90% RH non-condensing |

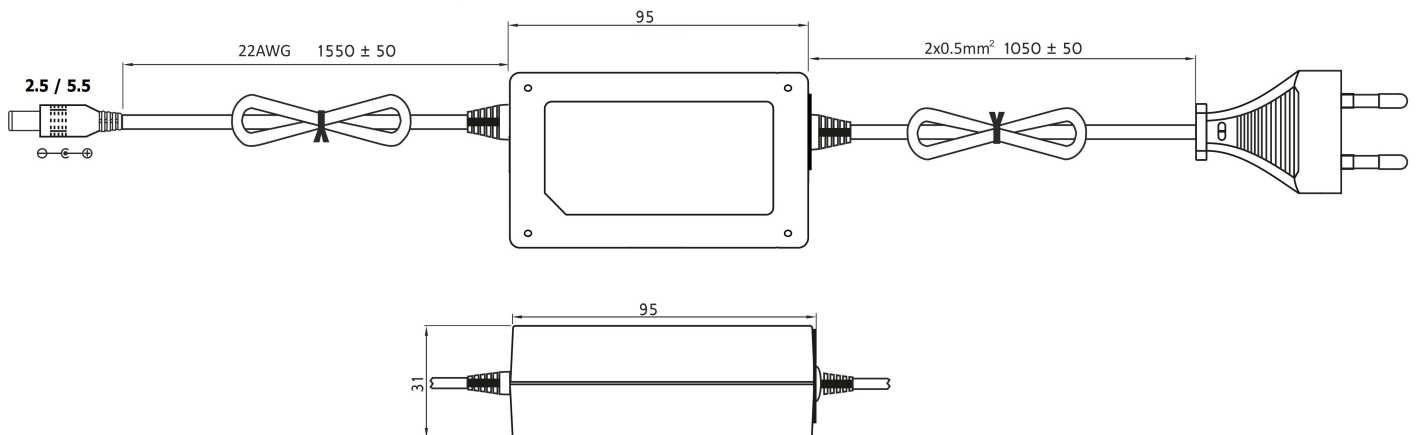
SAFETY and EMC REGULATIONS

| | |
|-----------------------------|--|
| Safety Standards | Compliance to EN 60950-1 |
| Withstand Voltage | IN/OUT: 3.6kVAC |
| Isolation Resistance | IN/OUT: 50MΩ/500VDC/25°C/70% |
| EMC Emission | Compliance to EN55032 |
| EMC Immunity | Compliance to EN61000-4-2, -3, -4, -5 |
| Harmonic Current | Compliance to EN61000-3-3; EN61000-3-2 |

OTHERS

| | | |
|--------------------------------|-----------------------------------|--------------------------------|
| DC wire and plug | Wire: 20AWG*2C, length = 1550mm | Plug: 2.5/5.5, positive inside |
| Net Weight / Dimensions | 182g / 96 x 68 x 31mm (L x W x H) | |

MECHANICAL SPECIFICATION



1. All parameters NOT specially mentioned are measured at 230VAC input, rated load and 25°C of ambient temperature.
2. Ripple & noise are measured at 20MHz of bandwidth by using a 12" twisted pair-wire terminated with a 0.1μF i 47μF parallel capacitor.
3. Tolerance includes set up tolerance, line regulation and load regulation.
4. Setup and rise time is measured from 0 to 90% rated output voltage.
5. Power supply is considered as component not indented to apply by end-user. Power supply meets safety and EMC standards however the final equipment with power supply must be re-quality to comply with EMC Directives.