

# ***STRONG***

LED TV with DVB-T/T2/C/S/S2  
SRT 32HY3003



User Manual  
Bedienungsanleitung  
Manuel utilisateur  
Manuale utente

Fig. 1

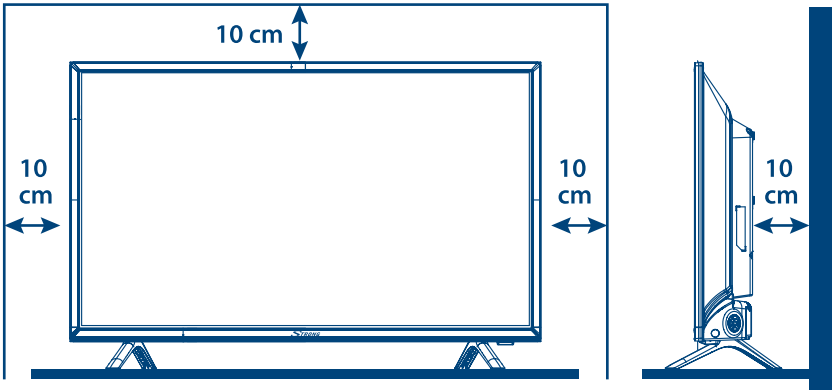


Fig. 1b

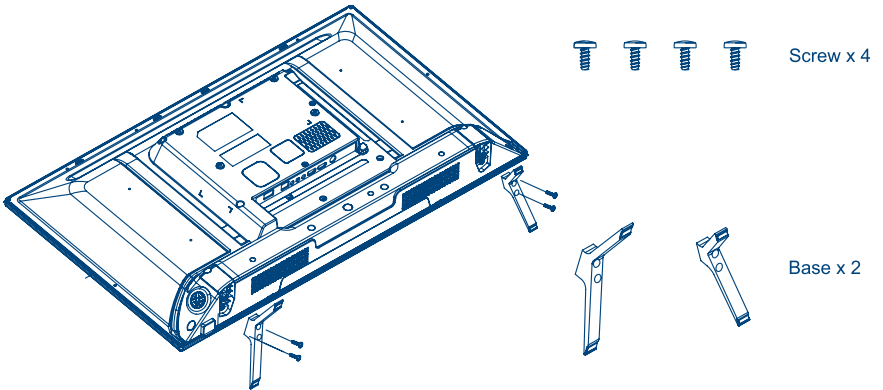


Fig. 2

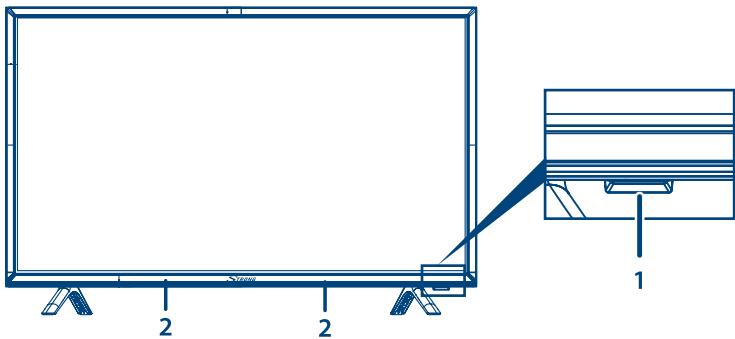


Fig. 3a



Fig. 3b

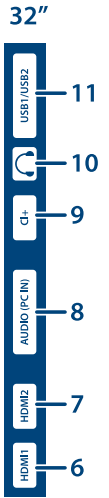
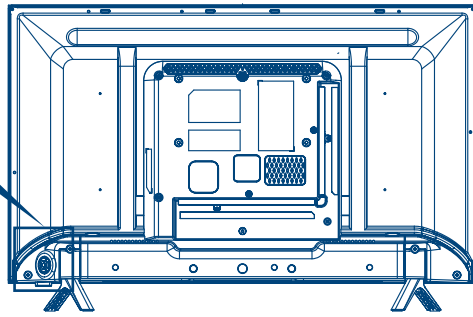


Fig. 4

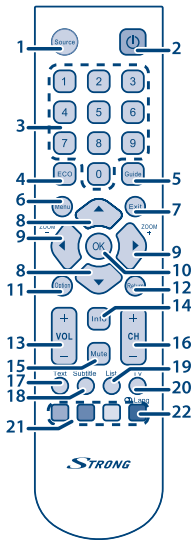


Fig. 5

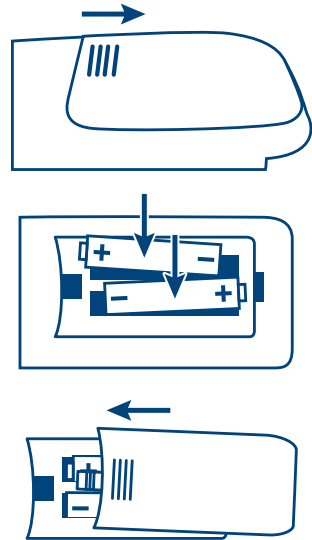


Fig. 6



Fig. 7



Fig. 8



# SERVICE CENTER

<b>AT</b>	 <b>support_at@strong.tv</b>  0820 400 150 (€ 0,12/Min. österr. Festnetz)	<b>HU</b>	 <b>support_hu@strong.tv</b>  +36 1 445 26 10
<b>BG</b>	 <b>support_bg@strong.tv</b>  +359 32 634451	<b>IT</b>	 <b>support_it@strong.tv</b>  199 404 032 Da rete fissa 24,8 cent. al min. 12,5 cent. scatto alla risposta Da rete mobile max 49 cent. al min. 15,6 cent. scatto alla risposta
<b>CZ</b>	 <b>support_cz@strong.tv</b>  844 44 44 90	<b>NL</b>	 <b>support_nl@strong.tv</b>
<b>DE</b>	 <b>support_de@strong.tv</b>  0180 501 49 91 (€ 0,14/Min. deutsches Festnetz) (€ 0,42/Min. max. Mobilfunknetze)	<b>PL</b>	 <b>support_pl@strong.tv</b>  801 702 017
<b>DK</b>	 <b>support_dk@strong.tv</b>	<b>PT</b>	 <b>support_pt@strong.tv</b>  +351 2 100 06 125
<b>ES</b>	 <b>support_es@strong.tv</b>  +34 91 119 61 76	<b>SK</b>	 <b>support_sk@strong.tv</b>  0850 15 05 50
<b>FR</b>	 <b>support_fr@strong.tv</b>  0826 029 928 (€ 0,15 par mn poste fixe en France)	<b>SL</b>	 <b>support_sl@strong.tv</b>  +386 1 828 08 58
<b>HR</b>	 <b>support_hr@strong.tv</b>  +385 1 344 57 66	<b>UA</b>	 <b>support_ua@strong.tv</b>  +380 (44) 228 24 73

[www.strong.tv](http://www.strong.tv)

Supplied by STRONG & Co, Japan  
Represented by STRONG Ges.m.b.H.  
Franz-Josefs-Kai 1  
1010 Vienna, Austria  
Email: support\_at@strong.tv

## Licenses

ANY USE OF THIS PRODUCT IN ANY MANNER OTHER THAN PERSONAL USE THAT COMPLIES WITH THE MPEG-2 STANDARD FOR ENCODING VIDEO INFORMATION FOR PACKAGED MEDIA IS EXPRESSLY PROHIBITED WITHOUT A LICENSE UNDER APPLICABLE PATENTS IN THE MPEG-2 PATENT PORTFOLIO, WHICH LICENSE IS AVAILABLE FROM **MPEG LA, LLC**, 6312 S. Fiddlers Green Circle, Suite 400E, Greenwood Village, Colorado 80111 U.S.A.

THIS PRODUCT IS LICENSED UNDER THE AVC PATENT PORTFOLIO LICENSE FOR THE PERSONAL AND NONCOMMERCIAL USE OF A CONSUMER TO (i) ENCODE VIDEO IN COMPLIANCE WITH THE AVC STANDARD ("AVC VIDEO") AND/OR (ii) DECODE AVC VIDEO THAT WAS ENCODED BY A CONSUMER ENGAGED IN A PERSONAL AND NON-COMMERCIAL ACTIVITY AND/OR WAS OBTAINED FROM A VIDEO PROVIDER LICENSED TO PROVIDE AVC VIDEO. NO LICENSE IS GRANTED OR SHALL BE IMPLIED FOR ANY OTHER USE. ADDITIONAL INFORMATION MAY BE OBTAINED FROM **MPEG LA, L.L.C.** SEE [HTTP://WWW.MPEGLA.COM](http://www.mpegla.com)

This product contains one or more programs protected under international and U.S. copyright laws as unpublished works. They are confidential and proprietary to **Dolby Laboratories**. Their reproduction or disclosure, in whole or in part, or the production of derivative works therefrom without the express permission of Dolby Laboratories is prohibited. Copyright 2003-2009 by Dolby Laboratories. All rights reserved.

To obtain the best performance and safety, please read this manual carefully. Please keep this manual for future reference.

## TABLE OF CONTENTS

<b>1.0 INSTRUCTION</b>	<b>3</b>
1.1 Accessories	3
1.2 Equipment set-up	3
<b>2.0 INSTALLATION</b>	<b>3</b>
2.1 Default PIN code: 0000	3
2.2 Front panel	3
2.3 Rear panel	4
2.4 Remote control	4
2.5 Installing the batteries	5
2.6 Using the remote control	5
<b>3.0 FIRST TIME INSTALLATION</b>	<b>5</b>
3.1 Select Input Source	6
3.2 DVB-S installation	6
3.3 DVB-T installation	6
3.4 DVB-C installation	6
<b>4.0 ELECTRONIC PROGRAMME GUIDE (EPG)</b>	<b>7</b>
<b>5.0 MENU SETTINGS</b>	<b>7</b>
5.1 Menu control (DTV mode)	7
5.2 Channel menu	7
5.3 Picture menu	8
5.4 Sound menu	10
5.5 Time menu	10
5.6 Lock menu	11
5.7 Setup Menu	11
<b>6.0 USB</b>	<b>12</b>
6.1 Reminder when using the USB player	12
6.2 USB menu	13
<b>7.0 TROUBLESHOOTING</b>	<b>15</b>
<b>8.0 SPECIFICATIONS</b>	<b>16</b>
<b>9.0 APPENDIX</b>	<b>17</b>

STRONG declares that the equipment complies with the European Directive 2014/30/EU (EMC) and the Low Voltage Directive 2014/35/EU (LVD) and the ErP Directive 2009/125/EC and the RoHS Directive 2011/65/EU in accordance with the following technical standards:

**ELECTROMAGNETIC COMPATIBILITY**

EN 55032:2012; EN 55020:2007+A11; EN55024:2010; EN61000-3-2:2014; EN61000-3-3:2013

**LOW VOLTAGE**

EN60065:2002+A1+A11+A2+A12

**ENERGY RELATED PRODUCTS**

COMMISSION REGULATION (EC) No 642/2009; EN 50564:2011; IEC 62087:2012

**RoHS**

EN 50581:2012

Subject to alterations. In consequence of continuous research and development technical specifications, design and appearance of products may change. Manufactured under license from Dolby Laboratories. Dolby Audio and the double-D symbol are trademarks of Dolby Laboratories. HDMI, the HDMI logo and High-Definition Multimedia Interface are trademarks or registered trademarks of HDMI Licensing LLC in the United States and other countries. All product names are trademarks or registered trademarks of their respective owners.

© STRONG 2017. All rights reserved.

# 1.0 INSTRUCTION

## 1.1 Accessories

- 1x Installation instructions
- 1x remote control
- 2x AAA batteries
- 2x bases (feet)
- 4x M4X15 screws

## 1.2 Equipment set-up

**Fig. 1a**

Install the display on a solid horizontal surface such as a table or desk. For ventilation, leave a space of at least 10 cm free all around the set. To prevent any fault and unsafe situations, please do not place any objects on top of the set. This apparatus can be used in tropical and/or moderate climates.

### Stand assembly instruction

**Fig. 1b**

1. Carefully place the TV with its front side facing down on a cushioned flat surface in order to protect the TV and the TV screen from damage.
2. Take out the 2x feet and assemble them to the TV.

**NOTE:** Left foot is marked with "L" and right foot with "R" on the bottom.

3. Fasten the feet to the bottom of the TV using the 4x M4X15 screws.

The user manual available on our website [www.strong.tv](http://www.strong.tv) provides complete instructions for installing and using this TV. The symbols serve as follows:

<b>WARNING</b>	Indicates warning information.
<b>NOTE</b>	Indicates any other additional important or helpful information.
<b>MENU</b>	Represents a button on the remote control or the TV. <b>(Bold characters)</b>
<i>Move to</i>	Represents a menu item within a window. <i>(Italic characters)</i>

# 2.0 INSTALLATION

## 2.1 Default PIN code: 0000

## 2.2 Front panel

**Fig. 2**

**NOTE:** The graphics are for representation only.

1. Remote sensor/Power indicator
2. Speakers

## 2.3 Rear panel

Fig. 3a

**NOTE:** The graphics are for representation only.

- |           |  |
|-----------|--|
| 1. ▲▼     | Channel up/down button                               |
| 2. ◀▶     | Volume up/down button                                |
| 3. ⏻/Menu | Press to turn the TV on or standby/Enter Menu/Source |

Fig. 3b

**NOTE:** The graphics are for representation only.

- |                           |  |
|---------------------------|--|
| 4. <b>VGA (PC IN):</b>    | Video input for PC via VGA cable.  |
| 5. <b>SCART:</b>          | Connect devices like DVD or VCR using SCART cable.   |
| 6. <b>SAT IN (INPUT):</b> | Connect a coaxial cable to receive signal from the LNB.  |
| 7. <b>ANT/CABLE IN:</b>   | Connect a coaxial cable to receive signal from the antenna.  |
| 8. <b>S/PDIF:</b>         | Use a coaxial cable to connect your TV to a compatible digital amplifier or Home theatre set.                  |
| 9. <b>HDMI1:</b>          | Connect HDMI input signal from signal source.  |
| 10. <b>HDMI2:</b>         | Connect HDMI input signal from signal source.  |
| 11. <b>AUDIO (PC IN):</b> | Audio input for PC   |
| 12. <b>CI +:</b>          | Connect a Conditional Access Module (CAM).   |
| 13. 🎧:                    | Headphone or Earphone audio output, speakers will be muted when earphone is plugged in and headphone selected. |
| 14. <b>USB1/USB2:</b>     | USB port.  |

## 2.4 Remote control

Fig. 4

- |                   |  |
|-------------------|--|
| 1. <b>Source</b>  | To select connected devices.   |
| 2. ⏻              | Standby/quit standby.  |
| 3. 0-9            | To select a channel, page or setting.  |
| 4. <b>ECO</b>     | To select desired power saving mode.   |
| 5. <b>Guide</b>   | To toggle the Electronic Programme Guide on or off (only available for digital channels).  |
| 6. <b>Menu</b>    | To access the main menu; to return to the previous menu.   |
| 7. <b>Exit</b>    | To exit the menu structure or Teletext.  |
| 8. ▲▼             | To navigate in the main menu; to select menu options   |
| 9. ◀▶             | To navigate in the main menu and channel list; to set functions and change values. ▶* can also be used to open the corresponding submenu. Select/change other<br>* To select the picture format.   |
| 10. <b>OK</b>     | Note: You are recommended to use the full screen mode. Do not use the display mode with black bars on both sides of the picture (such as 4:3) for a long time, otherwise the TV screen may be damaged permanently.<br>To open the corresponding submenu and activate a setting in menus and to display channel list. |
| 11. <b>Option</b> | Press to change the picture mode   |



- 12. **Return** To return to the previous channel; to return to the previous menu in USB function.
- 13. **VOL+/-** To control the volume.
- 14. **Info** To display programme information, if available.
- 15. **Mute** To switch the sound off and back on.
- 16. **CH+/-** To change channels.
- 17. **TEXT** To toggle Teletext on or off.
- 18. **SUBTITLE** To select a subtitle language available for selected digital TV programme.
- 19. **LIST** To display channel list.
- 20. **TV** To access TV mode.
- 21. **Colour buttons** To select tasks or Teletext pages. The **RED** button can also be used for MHEG function.
- 22. **Lang** To select a sound type available for selected analogue TV programme; to select an audio language available for selected digital TV programme.

## 2.5 Installing the batteries

**Fig. 5**

**NOTE:** Pictures are only for reference. Actual items may differ.

### Precautions for using the battery

Improper using of the battery will cause leakage. Carefully follow these instructions.

1. Please note the batteries' polarity to avoid short circuit.
2. When the battery's voltage is insufficient which affect the use range, you should replace it with a new battery. Remove the batteries from the remote control unit if you do not intend to use it for a long time.
3. Do not use different types of batteries (for example Manganese and Alkaline batteries) together.
4. Do not put the battery into fire, and charge or decompose the battery.
5. Please dispose batteries abide by relevant environmental protection regulation.

## 2.6 Using the remote control

- Use the remote control by pointing it towards the remote sensor. Items between the remote control and the remote sensor could block normal operation.
- Do not cause the remote control to vibrate violently. Also, do not splash liquid on the remote control, also do not put the remote control in a high humidity place.
- Do not place the remote control under direct sunlight which will cause deformation of the unit by heat.
- When the remote sensor is under direct sunlight or strong lighting, the remote control will not work. If so, please change the lighting or TV's position, or operate the remote control closer to the remote sensor.

## 3.0 FIRST TIME INSTALLATION

After all connections, have been properly made, switch on your TV.

**NOTE:** The first time you switch on your TV, the installation procedure will start with *First Time Installation Menu* (see chapter 3.1.1).

## 3.1 Select Input Source

Select which input source you want to use:

Press **Source** to display the input source list. Press **▲▼** to select the input source and confirm by pressing **OK**.

### 3.1.1 First Time installation menu

To access the menu of first installation press **Menu** and use **◀▶** to select *Setup*. Press **▲▼** to select *First Time Installation* and confirm with **OK**.

*Language:* Press **◀▶** to select the language to be used for menus and message.

*Country* Press **▲▼** to highlight the *Country* menu. Press **◀▶** to select your country.

### 3.1.2 Tuning Setup

Press **OK** to set the *Tuning Setup* menu.

*Tune Type* Select *DTV* for digital signals, *ATV* for analogue signals or *DTV+ATV* for both. (Digital Type only available for DVB-T and DVB-C)

*Digital Type* Select *Satellite DVB-S* for signals from a satellite dish (LNB), *Terrestrial DVB-T* for signals from terrestrial antenna or *Cable DVB-C* for signals from cable.

## 3.2 DVB-S installation

### Satellite Setting

First select the *Digital Type* by pressing **◀▶** to select *Satellite (DVB-S)* for satellite broadcasts. Then use **▲▼** to select the following settings:

*Satellite* Press **◀▶** to highlight the satellite your dish is aimed at.

*Scan Mode* Press **◀▶** to select *Default*, *Blind Scan* or *Network*

*Channel Type* Press **◀▶** to select *Free* to search Free-To-Air channels only, *Scrambled* to search scrambled channels only or *Free+Scramble* to search FTA and Encrypted channels.

*Service Type* Press **◀▶** to select *DTV* to search video channels only, *Radio* to search radio channels only or *All* to search both. After setting the options above press **OK** to start the scanning.

## 3.3 DVB-T installation

### Terrestrial Setting

First select the *Tune Type* by pressing **◀▶** to select *DTV*, *ATV* or *DTV+ATV* (*DTV* to search digital broadcasts and *ATV* to search analogue broadcasts). Then select *Digital Type* to select *DVB-T* (for terrestrial broadcasts). Press **OK** to start searching.

## 3.4 DVB-C installation

### Cable Setting

First select the *Tune Type* by pressing **◀▶** to select *DTV*, *ATV* or *DTV+ATV* (*DTV* to search digital broadcasts and *ATV* to search analogue broadcasts). Then select *Digital Type* to select *DVB-C* (for cable broadcasts).

In Scan Type select *Full* or *Network Scan* (recommended). Here you can insert a specific frequency provided by the broadcaster. If provided, insert also the Network ID and Symbol Rate, otherwise just select *Auto*.

Press **OK** to start the searching.

## 4.0 ELECTRONIC PROGRAMME GUIDE (EPG)

EPG stands for Digital Electronic Programme Guide. It is supplied by the broadcasters and offers information on programmes. You can access it in digital mode by pressing **Guide** on the remote control. Press **Guide** to bring up the EPG interface. Use **▲▼◀▶** to select a programme. Then press the **COLOUR BUTTONS** for entering the required settings.

- GREEN**            Open the reminder setting. Next to the title of the selected program, a clock symbol will appear and the reminder will be displayed once. By pressing the **GREEN** button two times the letter D (daily) appears, the reminder will be displayed daily. By pressing the **GREEN** button 3 times, the letter W (weekly) appears, the reminder will be displayed weekly. Press it 4 times, the letter A (monthly) will appear. Press it 5 times and the reminder disappears.
- YELLOW**        Access programme guide of previous day
- BLUE**            Access programme guide of next day

## 5.0 MENU SETTINGS

### 5.1 Menu control (DTV mode)

Press **Menu** to enter the main menu. Press **◀▶** to access one of the submenus. Press **▲▼** and **OK** to select the option of your choice or wish to adjust. Press **OK** to enter the item. Press **OK** to save and return back to the previous menu.

### 5.2 Channel menu

Press **Menu** to display the main menu. The *Channel menu* is the first that appears. Press **▲▼** to select the option you wish to adjust in the *Channel* menu.

Press **OK** to adjust. After finish your adjustment, press **OK** to save and return to the previous menu.

#### 5.2.1 Auto Tuning

Press **▲▼** to select *Auto Tuning*, then set the *Tuning Setup* menu according to your needs and proceed with **OK**.

#### 5.2.2 Dish Setup (in DVB-S mode only)

If you use *Satellite* as input source, you should first set the *Dish Setup* menu. In this menu, you can easily modify the Satellite and LNB settings. Afterwards you may start the *Auto Tuning*.

#### 5.2.3 DTV Manual Tuning (in DVB-T mode only)

Search and store programmes manually. Press **▲▼** to select *DTV Manual Tuning*.

Press ◀▶ to select a *Channel No.*, and then press **OK** to start the search. The search stops when a programme is found and this programme will be stored in the current channel position. If you want to stop the search, press **Menu**.

## 5.2.4 ATV Manual Tuning (in DVB-T/C mode only)

Search and store programmes manually (analog). Press ▲▼ to select *ATV Manual Tuning*. Then press **OK** to enter the sub-menu.

Press ▲▼ to select *Storage To 1* (maybe other number), *Sound System* and *Channel No.*. Then select search and press ▶ to search towards higher frequency or press ◀ to search towards lower frequency. The search stops when a programme is found and this programme will be stored in the current channel position. If you want to stop the search, press **Exit**.

<i>Current CH</i>	Set the channel number
<i>Colour System</i>	Select the colour system (Available: AUTO, PAL, SECAM)
<i>Sound System</i>	Select the Sound system
<i>Fine-Tune</i>	Adjust the frequency of the channel
<i>Search</i>	Start the channel search

## 5.2.5 CADTV Manual Tuning (in DVB-C mode only)

Search and store programmes manually (digital). Press ▲▼ to select *CADTV Manual Tuning*. Then press **OK** to enter the sub-menu.

Here it is possible to insert a specific frequency (usually provided by the broadcaster). In this case, it will be requested to insert a specific frequency, Symbol Rate and QAM Type. Use ▲▼ to select the option to change, then use the number keys on the remote control to insert the frequency and the Symbol Rate; use ◀▶ to set *QAM Type*.

By selecting **OK** the TV will start the search.

## 5.2.6 Channel settings

<i>Programme Edit</i>	Edit the programmes. You can press the <b>COLOUR BUTTONS</b> on the remote control to skip programmes, rename and delete programmes or move programmes, and add programmes to the favourite list by pressing <b>FAV</b> .
<i>Schedule List</i>	Press ▲▼ in the <i>Channel</i> . Select <i>Schedule List</i> , then press <b>OK</b> to enter the sub-menu. Use the <b>COLOUR BUTTONS</b> to modify your settings.
<i>Signal Information</i>	Showing the information of current DTV channel. Only available with DTV signal.
<i>CI information</i>	Enables the user to select from the CAM-provided menu. Select the <i>CI</i> menu based on the menu PC card.

## 5.3 Picture menu

<i>Picture Mode</i>	Press ▲▼ to select the <i>Picture mode</i> , then press <b>OK</b> . Available choices are <i>Dynamic</i> , <i>Standard</i> , <i>Mild</i> and <i>Personal</i> . You can change the value of contrast, brightness, colour, tint and sharpness when the picture is in <i>Personal</i> mode only.
---------------------	---

### 5.3.1 Contrast/Brightness/Colour/Tint/Sharpness

If *Picture Mode* is set to *Personal* you are able to change the following settings:

Press ▲▼ to select an option, then press ◀▶ to adjust.

<i>Contrast</i>	Adjust the highlight intensity of the picture, but the shadow of the picture is invariable.
<i>Brightness</i>	Adjust the optical fiber output of the entire picture, it will affect the dark region of the picture.
<i>Colour</i>	Adjust the saturation of the colour based on your own preference.
<i>Tint</i>	Adjusts the balance between the red and green levels.

**NOTE:** Tint is available to be adjusted only when the system of the video signal is NTSC.

*Sharpness* Adjust the peaking in the detail of the picture.

### 5.3.2 Colour Temperature

In this menu you can change the overall colour cast of the picture.

Press ▲▼ to select *Colour Temperature*, then press OK to enter a sub-menu. Press ▲▼ to select the relevant picture effect (DEFAULT: *Cold Normal Warm*).

<i>Cold</i>	Increase the blue tone for the white.
<i>Normal</i>	Increase the neutral colours for the white.
<i>Warm</i>	Increase the red colour for the white.

### 5.3.3 Noise Reduction

In this menu you can filter out and reduce the image noise and improve picture quality. Press ▲▼ to select *Noise Reduction*, then press OK to enter a sub-menu.

<i>Off</i>	Select to turn off video noise detection.
<i>Low</i>	Detect and reduce low video noise.
<i>Middle</i>	Detect and reduce moderate video noise.
<i>High</i>	Detect and reduce enhanced video noise.
<i>Default</i>	Set as Default.

### 5.3.4 HDMI Mode

In this menu, you can select between: *Auto, PC* and *Video*

**NOTE:** Only available if the TV is connected to an external device (e.g. receiver, PC, etc.) via HDMI connection.

## 5.4 Sound menu

Press **Menu** to display the main menu. Press ◀▶ to select *Sound* in the main menu. Press ▲▼ to select the option that you want to adjust in the *Sound* menu. Press **OK** to adjust. After finishing your adjustment, press **OK** to save and return to the previous menu.

<i>Sound Mode</i>	Press ▲▼ to select <i>Sound Mode</i> , then press <b>OK</b> to enter a submenu. By pressing ▲▼ choose the preferred setting and confirm with <b>OK</b> .
<i>Standard</i>	Produces a balanced sound in all environments.
<i>Music</i>	Preserves the original sound. Good for musical programmes.
<i>Movie</i>	Enhances treble and bass for a rich sound experience.
<i>Sports</i>	Enhances vocals for sports.
<i>Personal</i>	Select to customize picture settings.

**NOTE:** Treble and bass are only available in *Personal* mode. You can adjust them as you like.

<i>Treble</i>	Adjusts the higher frequency of the sound.
<i>Bass</i>	Adjusts the lower frequency of the sound.
<i>Balance</i>	This item can adjust the speaker's output. It enables you to listen to the best at your position. Press ▲▼ to select <i>Balance</i> , press ◀▶ to adjust.
<i>Auto Volume Level</i>	This item is used for reducing the difference between the volume of channel and programme automatically. Press ▲▼ to select <i>Auto Volume Level</i> , then press ◀▶ or <b>OK</b> to select <i>On</i> or <i>Off</i> .
<i>SPDIF Mode</i>	Press ▲▼ to select <i>SPDIF Mode</i> . Press ◀▶ to select <i>Off PCM Auto</i> .
<i>AD Switch</i>	Press <b>OK</b> to enter the sub-menu and use ◀▶ to turn this function on or off. To adjust the volume press ▲▼ and use ◀▶ to adjust it.  Set this function to <i>On</i> if you want to enable the playback of the Audio Description: a narrator will describe what is happening on the screen for blind or visually impaired viewers

## 5.5 Time menu

Press **Menu** to display the main menu. Press ◀▶ to select *Time* in the main menu. Press ▲▼ to do further adjustments. Press **OK** to return to the previous menu.

<i>Clock</i>	The time is automatically obtained from the channel transmission and doesn't have to be set manually. Should this function not be provided by the broadcaster, it is possible to set it by pressing <b>OK</b> and set date and time by pressing ▲▼◀▶.
<i>Time Zone</i>	Press ▲▼◀▶ to select <i>Time Zone</i> . Press <b>OK</b> to save.
<i>Sleep Timer</i>	Press ▲▼ to select <i>Sleep Timer</i> . Available Options: <i>Off</i> , <i>15 min.</i> , <i>30 min.</i> , <i>45 min.</i> , <i>60 min.</i> , <i>90min.</i> , <i>120 min.</i> , <i>240 min.</i>
<i>Auto Standby</i>	This function allows you to set the automatic shutdown of your TV. Choose between <i>3H</i> , <i>4H</i> , <i>5H</i> or <i>Off</i> to disable this function.
<i>OSD Timer</i>	This function allows you to choose how long the info banner is displayed. Choose between <i>5s</i> , <i>15s</i> or <i>30s</i> .

## 5.6 Lock menu

Press **Menu** to display the main menu. Press ◀▶ to enter the *Lock* menu settings. Press ▲▼ to select the options. The following options are available:

<i>System Lock</i>	This option allows you to enable or disable the password protection. Press <b>OK</b> to set this function <i>On</i> or <i>Off</i> .
<i>Set Password</i>	The default password is <b>0000</b> , to customize the password press <b>OK</b> and follow the instruction within the menu.
<i>Channel Lock</i>	This option allows you to prevent viewing of one or more channels. Press <b>OK</b> to display the channel list and select with ▲▼ the channel you want to be locked. Press <b>GREEN</b> to lock it. Consider the same procedure to lock other channels if needed.
<i>Parental Guidance</i>	Press <b>OK</b> to enter and set the age for suitable programs for children, then press ▲▼.
<i>Key Lock</i>	This function allows you to lock and unlock the buttons on your TV. To access this feature, you must first unlock the <i>System Lock</i> by inserting the password, then press ▲▼ to select this function and press ◀▶ or <b>OK</b> to enable or disable this function.
<i>Hotel Mode</i>	Press ▲▼ for the <i>Hotel Mode</i> , confirm with <b>OK</b> . It is possible to enable or disable this function by setting <i>On</i> or <i>Off</i> using ◀▶ or <b>OK</b> .

### 5.6.1 Hotel Mode

<i>Hotel Mode</i>	You can switch the hotel mode to <i>On</i> or <i>Off</i> .
<i>Source Lock</i>	Here you have the possibility to lock the input sources: <i>Satellite, DTV (DVB-C/ DVB-T), ATV, AV, PC, SCART, Component, HDMI 1, 2, 3</i> . The locked input sources will not be selectable with the <b>Source</b> button. In the case of satellite and DTV (DVB-T or DVB-C) channels you are not able to lock these sources. <b>NOTE:</b> You cannot lock all sources. At least one source must be left unlocked.
<i>Default Source</i>	The options to modify are <i>Off, Satellite, Media</i> and all other sources selected in the <i>Source</i> menu.
<i>Digital Type</i>	Depending on the type of installed DTV channels, you can select <i>DVB-T</i> or <i>DVB-C</i> . If <i>DVB-C</i> digital cable channels are not installed, this menu option is inactive and displays the <i>DVB-T</i> .
<i>Default Prog</i>	Set the default channel when the TV device is switched <i>On</i> (but only if <i>Satellite, DVB-T</i> or <i>DVB-C</i> are selected as <i>Default Source</i> ).
<i>Default Volume</i>	Define the default volume when the TV device is switched on.
<i>Max Volume</i>	Define the maximum volume setting.
<i>Import Database</i>	Read all settings set in <i>Hotel Mode</i> from USB
<i>Export Database</i>	Copy all settings set in <i>Hotel Mode</i> to USB
<i>Clear Lock</i>	Return to default settings of the <i>Hotel Mode</i> function.

## 5.7 Setup Menu

<i>Language</i>	Select the <i>Menu language</i> of your choice. The default setting is <i>English</i> . Press ▲▼ to select the menu language.
<i>TT Language</i>	Press ▲▼ to select <i>TT Language</i> , then press <b>OK</b> to go to the sub-menu.

<i>Audio Languages</i>	Press ▲▼◀▶ to select your chosen <i>Audio Language</i> , then press <b>OK</b> .
<i>Subtitle Language</i>	Press ▲▼◀▶ to select your chosen <i>Subtitle Language</i> , then press <b>OK</b> .
<i>Hearing Impaired</i>	Press ▲▼ to select <i>Hearing Impaired</i> . The available options are <i>On</i> or <i>Off</i> .
<i>Aspect Ratio</i>	Highlight <i>Aspect Ratio</i> in the menu and press <b>OK</b> to select the display mode. Available options: <i>Auto, 4:3, 16:9, Zoom 1</i> and <i>Zoom 2</i> .
<i>Blue Screen</i>	Press ▲▼ to select this function. By pressing ◀▶ or <b>OK</b> it is possible to enable or disable this function.
<i>First Time Installation</i>	See chapters 3 – 3.4.
<i>Reset</i>	Press ▲▼ to select this function, by pressing <b>OK</b> you will reset all the settings contained in the main menu
<i>Software Update (USB)</i>	Press <b>OK</b> and use ◀▶ to select <i>Yes</i> if you want to update the software or <i>No</i> to go back to the main menu. For more information see also chapter 6.2.5.
<i>HDMI CEC</i>	See chapter 5.7.1.
<i>Software Version</i>	Your current software version is displayed.

## 5.7.1 HDMI CEC

<i>CEC Control</i>	Press ◀▶ to turn the HDMI CEC <i>On</i> or <i>Off</i> .
<i>Audio Receiver</i>	Press ◀▶ to turn the Audio Receiver <i>On</i> or <i>Off</i> .
<i>Device Auto Power Off</i>	Press ◀▶ to turn on this feature. When finished turn off your TV. The connected device will turn off automatically.
<i>TV Auto Power On</i>	Press ◀▶ to select this option. When finished, turn on the connected device. The TV will switch on automatically.
<i>Device List</i>	Press <b>OK</b> to open the main menu of device.
<i>Device Menu</i>	Access the device menu.

## 6.0 USB

### 6.1 Reminder when using the USB player

1. Some USB storage devices may not be compatible to operate smoothly with this TV.
2. Back up all of the data in the USB storage device in case data is lost due to an unexpected accident. STRONG does not assume any liability for the losses by misuse or malfunction. Data backup is consumer's responsibility.
3. For large file sizes, the loading speed may be slightly longer.
4. The recognition speed of a USB storage device may depend on each device.
5. When connecting or disconnecting the USB storage device, make sure the TV is not in USB mode otherwise the USB storage device or the files stored in it may be damaged.
6. Please use only a USB storage device which is formatted in FAT16, FAT32, NTFS (playback only) file system provided with the Windows operating system. In case of a storage device formatted as a different utility programme which is not supported by Windows, it may not be recognized.
7. When using a USB Hard Disk Drive which is not powered independently, ensure its power does not exceed 500 mA. Otherwise the TV system will change into standby mode, and you must pull out the USB Hard Disk and restart the TV system.
8. An "Unsupported File" message will be displayed if the file format is unsupported or the file is corrupted.
9. FHD big picture needs longer time to process, which is not caused by the TV. Please be patient.



10. This TV may not support some multimedia files changed and upgraded as the change of the encoding format or other technical aspects advances.
11. Please refer to chapter 9. **Appendix** for a list of supported file formats for USB playback.

## 6.2 USB menu

Press **Source** and select *USB*. Press **▲▼** to select *Media*, then press **OK**. You can view movie, music and photo files from your USB storage devices. Connect a USB storage device to the USB input terminal and select the types of media on the home page: *Movie*, *Music* and *Photo*. Press **OK**, the screen will show the connected USB device, press **OK** again to view the file folders and files. Press **▲▼** to select a folder, press **OK** to open the folder and select the files, then press **OK** to tick them. Highlight the one you want to play first, press **▶||** to start playing or select a file and press **▶||** to start playing directly. Press **■** to stop playing and return to upper level folder. Continuously press **Return** to go back to upper level folder. Repeat again to select and play another media type.

**NOTE:** By choosing one of the three media types, for example *Movie*, the folders inside will display only video files and no other formats.

### 6.2.1 Play movies

**Fig. 6**

Press **INFO** to display/exit from the menu bar (**Fig. 6**). Press the **USB control buttons** on the remote control to do relevant operations.

*Play & Pause/Stop/Prev./Next*

Press **▶||** to play or pause the playback. Press **■** to stop playing. Press **◀▶▶** to play the previous or the next video file. Press **INFO** and use **◀▶** to highlight the corresponding icon on the control bar, then press **OK**. The TV will response accordingly.

*Fast Reverse/Fast Forward*

Press and hold **◀▶** for seconds to draw the playing progress as your desire, then press **▶||** to start the playing from the new position.

*Play Mode*

Highlight the corresponding icon and press **OK** to switch to another play mode.

*Information*

Highlight the corresponding icon and press **OK** to view the information of the playing video.

*Go to time*

Skip to specific point by input time. Highlight the corresponding icon and press **OK** to open the Input search time screen. Press **◀▶** to move the cursor and use the number buttons to insert the time. Press **OK**, the TV will start playing from the set time.

*Aspect Ratio*

Highlight the button and press **OK** to select the display mode.

### 6.2.2 Play music

**Fig. 7**

Press **INFO** to display/exit from the menu bar (**Fig. 7**). Press the **USB control buttons** on the remote control to do relevant operations.

*Play & Pause/Stop/Previous/Next*

Press **▶||** to play or pause the playback. Press **■** to stop playing. Press **◀▶▶** to play the previous or the next music file. Press **◀▶** to highlight

	the corresponding icon on the control bar, and then press <b>OK</b> . The TV will response accordingly.
<i>Fast Forward/Fast Reverse</i>	Press and hold <b>◀▶</b> for seconds to draw the playing progress as you wish, then press <b>▶  </b> on the remote control to start playing from the new position.
<i>Repeat</i>	Highlight the icon and press <b>OK</b> . You can select 3 different modes: <i>None</i> to disable the function, <i>1</i> to repeat one track only and <i>All</i> to repeat the entire list once it is finished.
<i>Information</i>	Highlight the icon and press <b>OK</b> to check the information of the playing music.

## NOTE

- If one (or more) file(s) of the play list is selected, the buttons **◀▶** will play only selected files.
- This menu only shows supported files.
- Files with other file extensions are not displayed, even if they are saved on the same USB storage device.
- An over-modulated mp3 file may cause some sound distortion during playback.
- This TV supports lyrics display (in English). The maximum number of characters per line is 48.
- The file name of music and lyrics must be the same in order to display lyrics while the music is playing.
- If you want to show the associated lyrics on the screen with the music, you must store these in the same folder using the same file name with ".lrc" file extensions.

### 6.2.3 Browse photos

**Fig. 8**

Press **INFO** or **▼** to display/exit from the menu bar (Fig.8). Press the **USB control buttons** on the remote control to do relevant operations.

*Play & Pause/Stop/Previous/Next*

Press **▶||** to play or pause the playback. Press **■** to stop playing. Press **◀▶** to show the previous or the next picture. Press **◀▶** to highlight the icon on the control bar, and then press **OK**. The TV will response accordingly.

*Repeat*

Highlight the icon and press **OK**. You can select 3 different modes: *None* to disable the function, *1* to repeat one track only and *All* to repeat the entire list once it is finished.

*Info*

Highlight the button and press **OK** to check the information of the shown photo.

*Rotate*

Highlight the icon in the menu bar and press **OK** to rotate the picture 90 degrees clockwise or counter clockwise.

*Zoom In/Zoom Out*

Highlight the icon on the menu bar and press **OK** to zoom in or zoom out of the image.

*Move View*

When the image is magnified, use this function for convenient check. Highlight this icon, press **OK**, then press **◀▶▲▼** to move the image.

## NOTE:

The move function  is only available when the image is enlarged.

### 6.2.4 Browse text documents


Press ◀▶ to select *Text* in the main menu. Then press ◀▶ to select the drive disk you choose to watch and **OK** to enter. Select the file you want to display by using ▲▼◀▶ and confirm with **OK**. Quit step by pressing **OK**. Press ◀▶ to select *return* and go back to previous menu.

### 6.2.5 Software update via USB

From time to time you can check if there is an improved software version available. This can be viewed and downloaded from our website [www.strong.tv](http://www.strong.tv). Search the model number on our website's service support section. If there is an improved software version you can download the file and copy it to the root of a USB device. Then press ▲▼ button to select *Software Update (USB)* from the *SETUP* menu on your TV. Afterwards plug your USB device into the USB slot and press **OK** to update the respective software. Confirm with *Yes* using ◀▶. When the update is completed, remove the USB stick, disconnect your device from the main power supply and plug in again.

## 7.0 TROUBLESHOOTING

Before calling a service technician, review following information for possible causes and solutions for the problem you are experiencing. If the TV does not work properly after checking it, please contact your local service line or **STRONG** dealer. Alternatively you can send a support mail via our website [www.strong.tv](http://www.strong.tv).

Problem	Possible cause and solution
No picture, no sound	<ol style="list-style-type: none"> <li>1. Check if the fuse or circuit breaker is working.</li> <li>2. Plug another electrical device into the outlet to make sure it is working or turned on.</li> <li>3. The power plug is in bad contact with the outlet</li> <li>4. Check the signal source.</li> </ol>
No colour	<ol style="list-style-type: none"> <li>1. Change the colour system.</li> <li>2. Adjust the saturation.</li> <li>3. Try another channel. Black-white programme may be received.</li> </ol>
The remote control does not work	<ol style="list-style-type: none"> <li>1. Change the batteries.</li> <li>2. The batteries are not installed correctly.</li> <li>3. Main power is not connected.</li> </ol>
No picture, normal sound	<ol style="list-style-type: none"> <li>1. Adjust the brightness and contrast.</li> <li>2. Broadcasting failure may happen.</li> </ol>
Normal picture, no sound	<ol style="list-style-type: none"> <li>1. Press the volume up button to increase the volume.</li> <li>2. The volume is set to mute, press  to restore the sound.</li> <li>3. Change the sound system.</li> <li>4. Broadcasting failure may happen.</li> </ol>
Unorderly ripples on the picture	It is usually caused by local interference, such as cars, daylight lamps and hair driers. Adjust the antenna to minimize the interference.

Problem	Possible cause and solution
Snowy dots, blocking and interference	<p>If the antenna is located in the fringe area of a television signal where the signal is weak, the picture may be marred by dots, show blocking or break-ups. When the signal is extremely weak, it may be necessary to install a special antenna to improve the reception.</p> <ol style="list-style-type: none"> <li>1. Adjust the position and orientation of the indoor/outdoor antenna.</li> <li>2. Check the connection of the antenna.</li> <li>3. Fine tune the channel.</li> <li>4. Try another channel. Broadcasting failure may happen.</li> </ol>
Ghost	<p>Ghosts are caused by the television signal following two paths. One is the direct path, the other is reflected from tall buildings, hills, or other objects. Changing the direction or position of the antenna may improve the reception.</p>
Radio frequency interference	<p>This interference produces moving ripples or diagonal streaks, and in some case, loss of contrast in the picture. Find out and remove the radio interference source.</p>
Playback of video is causing picture freeze/macro blocks or similar distortion, especially on HD content.	<p>Read/write speed of your USB device could be too low. Make sure to use a USB storage device with sufficient speed and space. Pen drives (USB sticks) may not support sufficient speed.</p>
No signal or weak signal, intermittent reception.	<ol style="list-style-type: none"> <li>a) Cables might have loosened; moisture might have entered into cables or connectors, heavy rain at present or heavy storm at present. Check the cable connections, LNB and other equipment connected between the LNB and the receiver, or peak the dish. Wait for rain/storm to subside. Ask a local satellite specialist for advice.</li> <li>b) The satellite dish is not pointing at the (correct) satellite(s). Adjust the dish. Ask a local satellite specialist for advice.</li> <li>c) Satellite dish is too small, trees or buildings in path. Change to a larger dish or change position of dish.</li> <li>d) Signal is too strong, dish is oversized. Connect a signal attenuator to the LNB input. Ask a local satellite specialist for advice.</li> </ol>
Bad picture/blocking error during heavy rain.	<p>Heavy rain will attenuate satellite signals, below a certain level blocking will occur.</p> <p>Make sure your dish installation is up to standards to minimize rain effects. When in doubt, ask a local satellite specialist for advice.</p>

**NOTE:**

If the problem persists after these solutions, please contact your local support centre or send a support mail via our website [www.strong.tv](http://www.strong.tv).

## 8.0 SPECIFICATIONS

### Audio

Audio Output: 6 W + 6 W

### Video

Channel coverage: DVB-T/T2: 174 MHz-230 MHz; 470 MHz-860 MHz  
 DVB-C: 50-858 MHz  
 DVB-S/S2: 950 MHz-2150 MHz  
 System: DTV: DVB-T/T2, DVB-S/S2, DVB-C  
 ATV: PAL/SECAM (BG/DK/1)  
 AV: PAL, NTSC

### Connectors

1x ANT IN  
 1x CABLE IN  
 1x SAT IN  
 1x CI+  
 2x HDMI  
 1x SCART  
 1x USB  
 1x PC IN  
 1x PC AUDIO IN  
 1x S/PDIF (coax.)  
 1x Headphones

### General Data

Operating voltage: 180-240 V AC 50/60 Hz  
 Power consumption: max. 55 W,  
 Power consumption in standby: <0.5 W  
 Operating temperature: +5 °C ~ +35 °C  
 Storage temperature: -15 °C ~ +45 °C  
 Operating humidity: 20% ~ 80% RH, non-condensing  
 Storage humidity: 10% ~ 90% RH, non-condensing  
 Dimensions (WxHxD) in mm: 733 x 162 x 471  
 Net-weight: 4,6 kg

## 9.0 APPENDIX

USB file playback support.

### Video

File Type/(Ext Name)	Video Type	Audio Type	Remark
MP4, MOV/(.mp4,.mov,.m4v)	Motion JPEG MPEG-4 SP/ASP (XviD)	MPEG-AUDIO	
AVI/(.avi)	MotionJPEG MPEG-4 SPIASP (XviD)	LPCM MPEG-AUDIO	
ASF(.wmv3,.xvid)	MPEG-4 SPIASP (XviD)	MS-ADPCM, Intel-ADPCM	
MKV(.mkv,.xvid)	MPEG-4 SPIASP (XviD)	MPEG-AUDIO	
TSI(.tsltrp)		LPCM MPEG-AUDIO	

File Type/(Ext Name)	Video Type	Audio Type	Remark
DAT, MPG,MPEG/(.dat,.mpg,mpeg)		LPCM MPEG-AUDIO	
VOB/(.vob)		LPCM MPEG-1 Layer 2	

**Music**

File Type/(Ext Name)	File Extension	Version support	Remark
Mpeg-1 Layer 3	Wma, mp3	LPCM	WMA 7-9.1 la WMA2
MPEG-1/2 Layer 1/2	n/a (included in the video only)	MPEG1/2	
LPCM	n/a (included in the video only)		
AAC	Aac, mp4, M4A		AAC variable bit rate : just forward speed 1.5x-2x m4a can't FF/FR ADIF can't FF/FR ADTS can FF/FR

**Photo**

File Type	File Extension	Version support	Remark
JPEG	jpg/jpeg		
BMP	bmp		support all modes
PNG	png	MPEG1/2	support interlace does not support animation mode

