

52106210	DATA SHEET	
Valid from: 03.07.2018	SKINDICHT® KW-M	

The SKINDICHT® KW-M is an elbow fitting from polyamide reinforced with glass-fiber. It is used when cables and conduits have to be led along the housing wall.



Material: Polyamide, glass filled

Technical features:

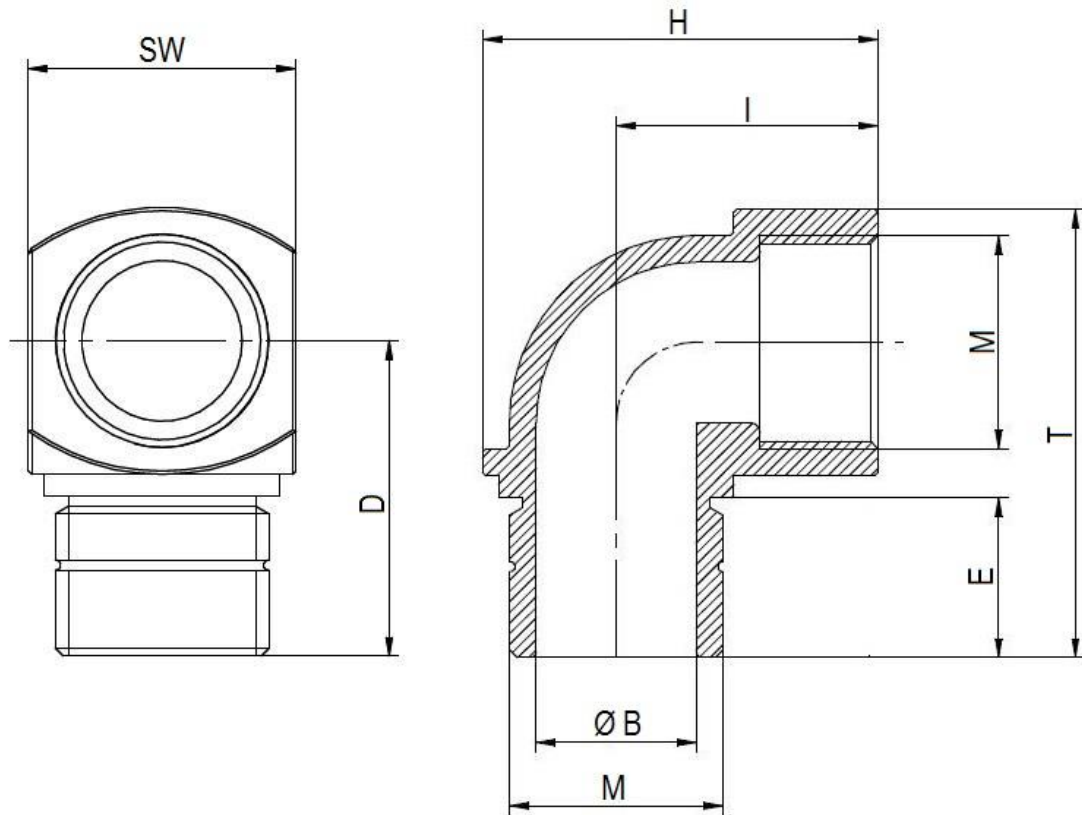
Connecting thread	M16x1,5 up to M32x1,5 acc. to EN 60423
Protection class	IP55 acc. to EN 60529
Temperature range	-20 °C up to +80 °C
Colour	RAL 7001

Norm references:



Creator: T. Dvoulety /PDP Released: DAMU1/PDP	Document: DB52106210EN Version: 02	Page 1 of 2
--	---------------------------------------	-------------

52106210	DATA SHEET	
Valid from: 03.07.2018	SKINDICHT® KW-M	



M	SW [mm]	Ø B [mm]	D [mm]	E [mm]	H [mm]	I [mm]	T [mm]	Article No.
M16x1,5	19	11	24,0	13	31,0	21,5	33,5	52106210
M20x1,5	25	15	29,5	15	37,0	24,5	42,0	52106220
M25x1,5	30	20	33,5	16	43,0	28,0	48,5	52106230
M32x1,5	36	26	38,0	17	49,5	31,5	56,0	52106240

For more information please see our current catalogue. Please do not hesitate to contact our laboratory if there are any questions regarding resistance against aggressive agents and special oil.

Creator: T. Dvoulety /PDP Released: DAMU1/PDP	Document: DB52106210EN Version: 02	Page 2 of 2
--	---------------------------------------	-------------