



A Tyco Electronics USA Joint Venture

Technical Data Sheet

For

Non-Metallic Glands (Polyamide 6)



(A TE Connectivity - RPG Enterprises JV)



Technical Specification:

- Body : Polyamide 6
- Sealing : EPDM
- Temp : Static -30°C to 120°C
Dynamic -10°C to 80°C
- Protection : IP 65
- Color : Grey, White & Black
- Certification : ROHS, LSZH Certified
- Standard : BS EN 50262: 1999 cable glands for electrical installation

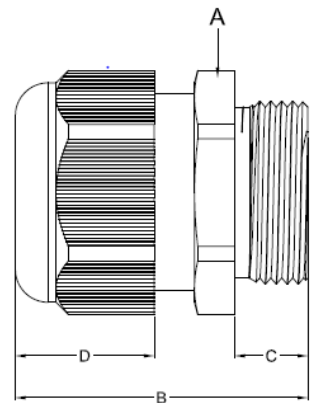


Table -PG Thread

Sr. No.	Size	Raychem Part code	Cable Range (mm)	A	B		C	D
					Min.	Max.		
1	PG 7	RNPG-07	3.50-6.50	15	27.50	30.50	9.00	12.50
2	PG 9	RNPG-09	5.50-8.00	18	31.00	35.50	8.50	16.50
3	PG 11	RNPG-11	7.0-10.00	22	31.50	35.50	8.50	17.50
4	PG 13.5	RNPG-13.5	8.0-12.00	24	36.50	40.50	13.0	17.50
5	PG 16	RNPG-16	10.0-14.0	27	40.00	44.50	14.5	19.00
6	PG 21	RNPG-21	14.0-18.0	33	39.00	45.00	12.0	21.50
7	PG 29	RNPG-29	19.0-25.0	42	46.00	53.50	11.0	26.50
8	PG 36	RNPG-36	25.0-32.0	54	57.50	64.00	13.0	30.50
9	PG 42	RNPG-42	32.0-38.0	59	63.00	69.00	20.5	31.00
10	PG 48	RNPG-48	38.0-42.0	65	65.00	71.50	20.5	32.00
11	PG 63	RNPG-63	40.0-50.0	74	81.00	96.00	29.0	42.50

Table –Metric thread

Sr. No.	Size	Raychem Part code	Cable Range (mm)	A	B		C	D
					Min.	Max.		
1	M12x1.5	RNMG12X1.5	3.50-6.50	15	27.50	30.50	9.00	12.50
2	M16x1.5	RNMG16X1.5	5.50-8.00	18	31.00	35.50	8.50	16.50
3	M20x1.5	RNMG20X1.5	8.00-12.0	24	32.50	38.50	9.00	17.50
4	M25x1.5	RNMG25X1.5	10.0-14.0	27	48.50	52.00	14.5	21.50
5	M32x1.5	RNMG32X1.5	14.0-18.0	37	38.00	44.00	10.0	21.50
6	M40x1.5	RNMG40X1.5	19.0-25.0	45	47.50	53.50	10.0	26.50
7	M50x1.5	RNMG50X1.5	25.0-32.0	54	55.00	64.00	15.50	30.50

- All cable glands are CE certified and made of polyamide 6 ideally suited to guarantee optimum conditions for impact resistance and full insulation.
- Effective gripping is provided on tightening of caps, which ensure that complete strain relief is provided to your cables.
- Specially provided groove on internal part of the cap nut act as a ratchet, which provides self-locking and vibration resistant fixing on some glands.
- Easy mounting of cable glands are provided for introducing cables and conductors into machines.
- Secure and fast connection in various industries ranging from machineries and equipment manufacturers measuring and control electronics, automation, electrical and robotics.
- Protection Class IP 65 liquid and dust tight connection provides total relief to your cable.