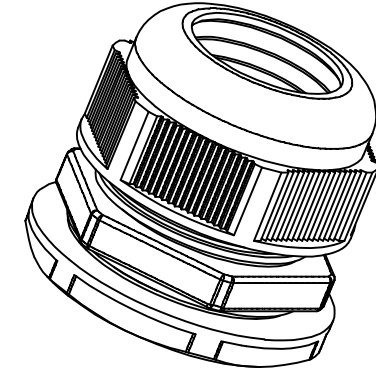


Section View X - X



PG Thread Cable Gland Data Sheet

PCN	RRPL CODE
DAA1100443	RNPG-11
DAA1100444	RNPG-13.5
DAA1100451	RNPG-16
DAA1100445	RNPG-21
DAA1100452	RNPG-29
DAA1100447	RNPG-36
DAA1100448	RNPG-42
DAA1100442	RNPG-9
DAA1101312	

Sr. No.	Part Name	Threading Type (PG)	Cable Range (in mm) (± 0.15)	A/F (± 0.25)	Ø A (± 0.25)	B (± 0.5)		C (± 0.5)	D (± 0.5)	Ø E
						Min.	Max.			
1	RRPL - 7	PG - 7	3.5 - 6.5	15.00	16.50	27.50	30.50	9.00	12.50	12.00
2	RRPL - 9	PG - 9	5.5 - 8	18.00	20.00	31.00	35.50	8.50	16.50	15.20
3	RRPL - 11	PG - 11	7 - 10	22.00	24.50	31.50	35.50	8.50	17.00	18.30
4	RRPL - 13.5	PG - 13.5	8 - 12	24.00	26.00	27.50	32.50	9.00	17.50	20.00
5	RRPL - 13.5L	PG - 13.5 L	8 - 12	24.00	26.00	36.50	40.50	13.00	17.50	20.00
6	RRPL - 16	PG - 16	10 - 14	27.00	30.00	35.00	40.50	10.00	19.00	22.50
7	RRPL - 16L	PG - 16 L	10 - 14	27.00	30.00	40.00	44.50	14.50	19.00	22.50
8	RRPL - 21	PG - 21	14 - 18	33.00	36.00	39.00	45.00	11.00	21.50	28.50
9	RRPL - 29	PG - 29	19 - 25	42.00	47.00	46.00	53.50	11.00	26.50	36.70
10	RRPL - 36	PG - 36	25 - 32	54.00	59.00	57.50	64.00	13.00	30.50	47.00
11	RRPL - 42	PG - 42	32 - 38	59.00	65.50	63.00	69.00	20.50	31.00	53.50
12	RRPL - 48	PG - 48	38 - 42	65.00	71.00	65.00	71.50	20.50	32.00	59.30
13	RRPL - 63	PG - 63	40 - 50	74.00	83.00	81.00	96.00	29.00	42.50	70.00
14	RRPL - 1/2" NPT	1/2" NPT	7 - 12	24.00	26.00	40.00	44.00	14.00	17.50	21.00

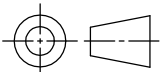
Technical Specification

Body : Polyamide 6
 Sealing : TPR / EPDM
 Temperature : Dynamic -30°C to 120°C
 : Static -10°C to 80°C
 Protection Class : I.P. 67
 Color : Black/Grey
 Certification : RoHS
 Connecting thread : PG Standard

01	14-06-18	Tolerances has been added.		M.G.	P.W.
Rev.	Date.	Description.		Chk.	App.
Date		15-05-2018	Drawn	M.G.	
Scale		N. T. S.	Checked	M.G.	
Material		Polyamide - 6	Approved	P.W.	

Raychem RPG

Title : **PG Cable Gland Data Sheet**



Drg. No. RRPL/PACG/PG/01

Sheet 1 of 1 Rev.- 01

Note : All Dimensions are in mm Unless otherwise specified. DO NOT SCALE DRAWING.

The information contained in this Drawing is the sole property of Raychem RPG (P) Ltd. Any reproduction in part or as a whole without the written permission of Raychem RPG Components is prohibited.