

1 M 3-wire passive IR switch

Description

3 wire switch with passive infrared movement sensor, suitable for all types of loads, including LED lamps.

Variable threshold twilight sensor with possibility of exclusion.

Switch off delay circuit, adjustable from 30 seconds to 10 minutes.

Related items

KW16 Cover plate for 1-module IR switch, white colour

KG16 Cover plate for 1-module IR switch, black colour

KM16 Cover plate for 1-module IR switch, sand colour




Technical data



Power supply: 230 Vac; 50 Hz

Cable section: 2 x 2,5mm²

Operating temperature: 5 – 40 °C

Protection index - Penetration by solid bodies/liquid: IP 20 D

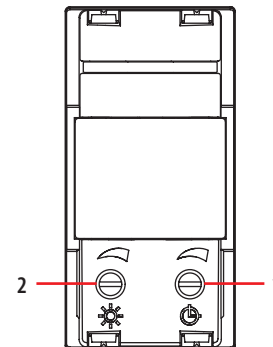
Loads						
	Filament lamp or halogen lamp		Electronic transformer		Fluorescent tube	
230 V ~ 50 Hz	2 A	460 W	2 A	460 W	2 A	460 W

Loads	 LED				
	Fluorescent compact or LED lamp		Motor		
230 V ~ 50 Hz	0,5 A	50 W	2 A	230 W	cosφ=0,5

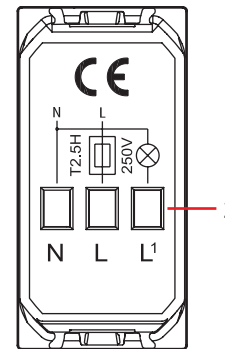
Dimensional data

Size: 1 flush mounted module.

Front view

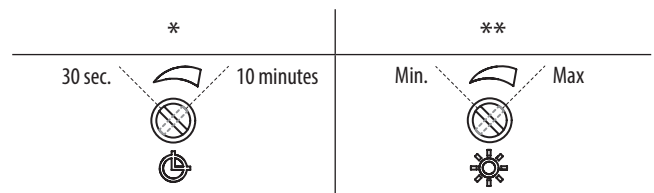


Rear view



Legend

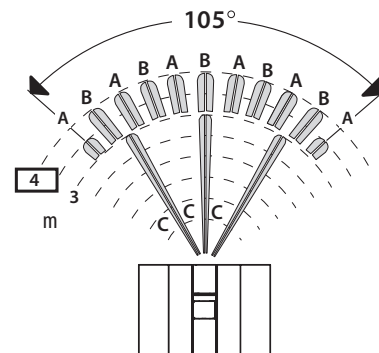
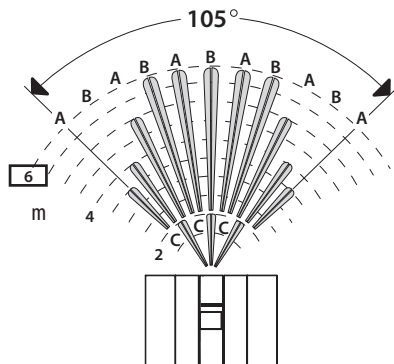
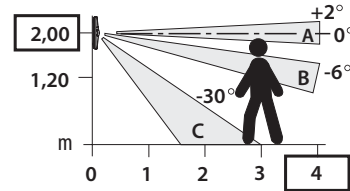
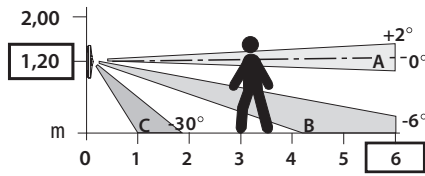
1. Switching off delay adjustment (*)
2. Twilight adjustment (**)
3. Connection clamps



1 M 3-wire passive IR switch

Volume coverage

A = 6 rays
B = 5 rays
C = 3 rays



Wiring diagrams

