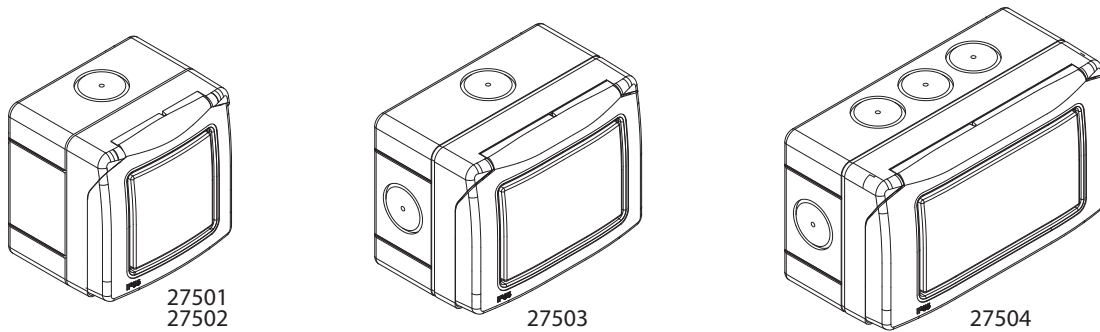


Classia  
IP55 wall-mounting enclosures

27501 - 27502  
27503 - 27504



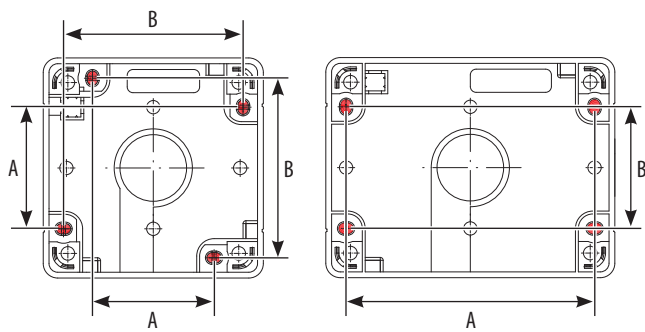
**Use**

For installation when an IP55 protection degree is required (outdoor, garage, etc).

**Range**

Designation	Item
1 Module	27501
2 Modules	27502
3 Modules	27503
4 Modules	27504

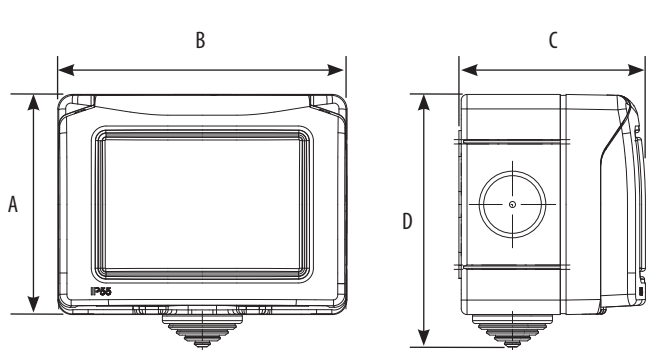
**Installation**



	A	B
27501	42	62
27502	42	62
27503	86	42
27504	118	42

For the box installation please use the dedicated holes with the screws up to Ø 4mm.

**Overall dimensions (mm)**



	A	B	C	D
27501	76	76	64.5	87
27502	76	76	64.5	87
27503	76	100	64.5	87
27504	76	132	64.5	87

**Technical characteristics**

- **Protection index**  
Penetration by solid bodies/liquid: IP55
- **Mechanical characteristics**  
Impact test: IK 07
- **Material characteristics**  
Material:  
Case: ABS.  
Halogen free.  
UV resistant.  
Self-extinguishing: 650° C / 30 s
- **Climatic characteristics**  
Storage temperature: - 10° C to + 70° C  
Use temperature: - 5° C to + 45° C

**Cleaning**

Clean the surface with a cloth.  
Do not use acetone, tar-removing cleaning agents or trichloroethylene.  
Caution: Always test before using special cleaning products.

**Standards and approvals**

Compliance with standards IEC/EN 60670-1  
Refer to e.catalogue.