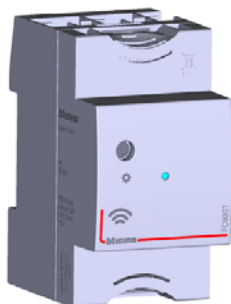


Gateway Din smart

Cat. number: FC80GT



Sommaire	Pages
1. Description - Use.....	1
2. Range.....	1
3. Overall dimensions.....	1
4. Preparation - Connection.....	1
5. General characteristics	3
6. Compliance and approvals.....	4
7. Auxiliaries and accessories.....	4

1. DESCRIPTION - USE

Use:

In a Home+ Control installation, allow to create a wireless network of connected devices and operate as a gateway with the IP network through the Wifi.

Technology:

- . Modular gateway Wifi ↔RF between the IP network and the connected devices network « ···With Netatmo».
- . To be installed in the electrical cabinet.

2. RANGE

Width:

- . 2,5 modules. 45 mm wide.

Power consumption:

- . 2W Maxi

Rated voltage:

- . 100 to 240V AC

Rated frequency:

- . 50Hz / 60Hz

Configuration and use:

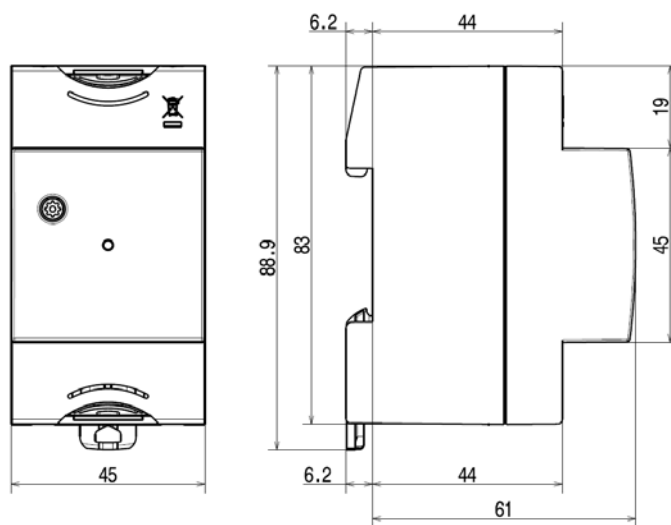
- Legrand smartphone app "HOME + CONTROL"



- . Available for free on Google Play or App Store
- Voice assistants (compatible with the main voice assistants of the market).



3. OVERALL DIMENSIONS



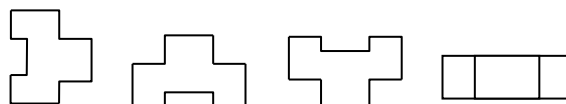
4. PREPARATION - CONNECTION

Mounting:

- . On symmetrical rail EN / IEC 60715 or DIN 35.

Operating position:

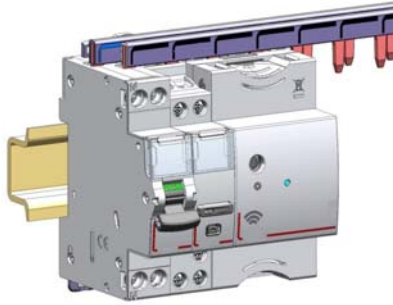
- . Vertical, Horizontal, Flat.



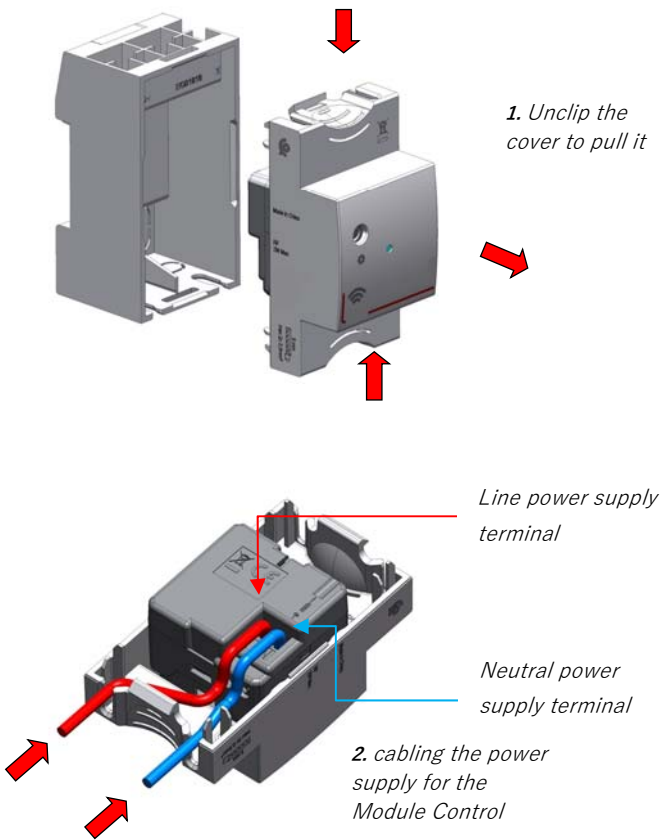
4. PREPARATION - CONNECTION *(continued)*

Row positioning:

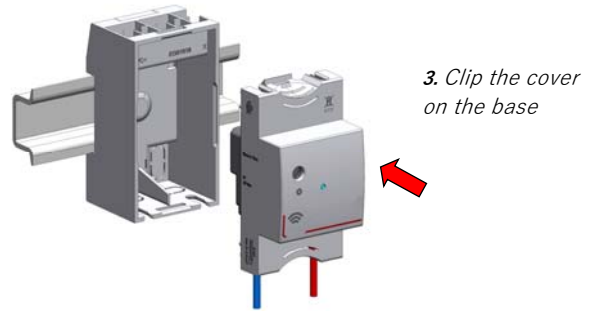
. The product shape and the positioning of the terminals allow the passage of single-line, three-lines and plug-in supply busbars in the upper part of the product. Then, it is possible to freely choose the position of the Module Control in the row and to connect by supply busbar the other devices put on the same DIN rail.



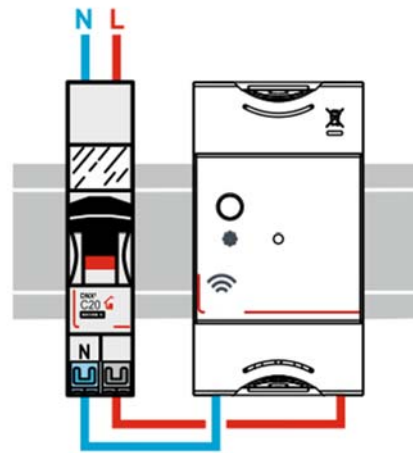
Wiring of the power supply:



4. PREPARATION - CONNECTION *(continued)*



Cable the Module Control under a circuit breaker



Recommended tools:

- . For the terminals: screwdriver flat-blade 3.5 mm
- . For clamping: screwdriver flat-blade (5,5 mm or less).

Connection:

- . Screw terminals:
 - Terminal type: cage
 - Depth: 9 mm
 - Stripping length recommended: 9 mm
 - Screw head: slotted 3.5 mm
 - Type of screw: M3,5
 - Tightening torque: 0.5 Nm

Conductor type:

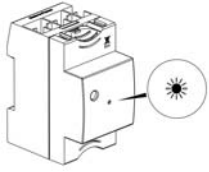
- . Copper cables

	Without ferrule	With ferrule
Rigid cable	1x (1 to 2.5mm ²) 2 x (1 to 2.5mm ²)	-
Flexible cable	1x (1 to 2.5mm ²) 2 x (1 to 2.5mm ²)	1 x (1 to 2.5mm ²)

4. PREPARATION - CONNECTION *(continued)*

Visualization of the operating mode of the device:

. Via LED on the front face of the product.



Color	Status	Meaning
	OFF	Normal operating mode
 White	Fixed	Transient state. Beginning phase
 Green	Fixed	Transient state. Open Network to Pair Connected devices
 Red	Fixed	Transient state. Initialization phase of the configuration (factory reset)

Configurations and actions

. Refer to the online guides and to the indications provided through the Home + Control application.

5. GENERAL CHARACTERISTICS

Marking of the Module Control:

Markings of the front side:

Icon, to easily identify a connected device in the electrical panel board



5. GENERAL CHARACTERISTICS *(continued)*

Lateral marking



RF
2W Max

BTICINO SpA
Viale Borri, 231
21100 Varese
ITALY



Influence of altitude:

. No influence up to 2 000 m

Assigned frequency:

. 50 / 60Hz

Rated voltage of use (Ue):

. Ue = 100 to 240 V ~

Recommendations:

. For the device protection against short circuits, it is recommended to use a circuit breaker or fuse gG rated current ≤ 16 A..

Characteristics of the radio interface:

- . Standard IEEE 802.11
- . Standard IEEE 802.15.4
- . Frequencies 2,4 à 2,4835Ghz
- . Transmitter output power <100mW

Protection degree:

- . Protection index of terminals against direct contacts: IP2X (IEC/EN 60529)
- . Protection index of the front face against direct contacts: IP3XD (IEC/EN 60529)
- . Class II, front panel with faceplate.

Plastic material:

. Self-extinguishing polycarbonate.

Ambient operating temperature:

. Min. = - 5 ° C Max. = + 45 ° C.

Ambient storage temperature:

. Min. = - 40 ° C Max. = + 70 ° C.

Average weight:

. Poids. = 86g

Volume when packed:

. 0,62 dm³.

Environmental profile:

. PEP document available

Installation software:

. XL PRO3

6. COMPLIANCE AND APPROVALS

Compliance to standards:

EN 301 489-1

Environment respect – Compliance with European Union Directives:

- . Compliance with Directive 2002/95/EC of 27/01/03 known as "RoHS" which provides for a restriction on the use of dangerous substances such as lead, mercury, cadmium, hexavalent chromium and polybrominated biphenyl (PBB) and polybrominated diphenyl ether (PBDE) brominated flame retardants from 1st July 2006
- . Compliance with the Directive 91/338/EEC of 18/06/91 and decree 94-647 of 27/07/04
- . Compliant with regulation REACH

Conformity with electromagnetic interference (EMC):

- . Compliant EN 301 489-1:
- Immunity to electrical transients in bursts.
- Immunity to shock waves (2KV)

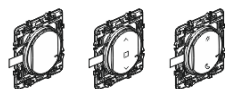
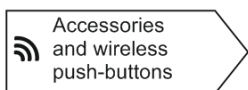
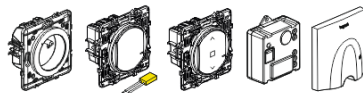
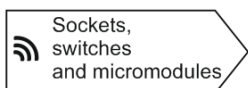
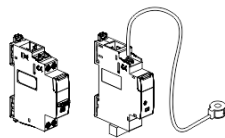
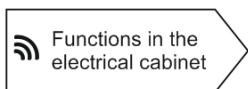
Plastic materials:

- . Halogen-free plastics.
- . Marking of parts according to ISO 11469 and ISO 1043.
- . ISO 7000: 2004, Graphical symbols to be used on equipment - Index and synopsis

Packaging:

- . Design and manufacture of packaging in accordance with Decree 98-638 of 20/07/98 and Directive 94/62 / EC.

7. AUXILIARIES AND ACCESSORIES



- . Compatible with Apple HomeKit, Alexa or Google Assistant technology for control of your connected home.