



# CorePro LEDspot LV



## CorePro LED spot ND 4.4-35W MR16 840 36D

CorePro LEDspots are a perfect fit for spot lighting and deliver warm halogen-like light. They are compatible with most existing fixtures with MR16 GU5.3 holders and are designed as a retrofit replacement for halogen or incandescent spots. CorePro LEDspots deliver huge energy savings and minimize maintenance cost.

### Product data

General information	
Cap-Base	GU5.3 [ GU5.3]
EU RoHS compliant	Yes
Nominal Lifetime (Nom)	15000 h
Switching Cycle	50000X
Flux measurement reference	Narrow Cone
Light technical	
Color Code	840 [ CCT of 4000K]
Beam Angle (Nom)	36 °
Luminous Flux (Nom)	390 lm
Luminous Intensity (Nom)	750 cd
Color Designation	Cool White (CW)
Correlated Color Temperature (Nom)	4000 K
Luminous Efficacy (rated) (Nom)	88.00 lm/W
Color Consistency	<6
Color Rendering Index (Nom)	80
LLMF At End Of Nominal Lifetime (Nom)	70 %
Luminous Flux in 90° Cone (Rated)	390 lm
Operating and electrical	
Input Frequency	- Hz
Power (Nom)	4.4 W

Lamp Current (Nom)	520 mA
Wattage Equivalent	35 W
Starting Time (Nom)	0.5 s
Warm Up Time to 60% Light (Nom)	0.5 s
Power Factor (Nom)	0.6
Voltage (Nom)	ac electronic 12 V
Temperature	
T-Case Maximum (Nom)	85 °C
Controls and dimming	
Dimmable	No
Mechanical and housing	
Bulb Shape	MR16 [ 2inch/50mm]
Approval and application	
Energy Efficiency Class	F
Suitable For Accent Lighting	Yes
Energy Consumption kWh/1000 h	5 kWh
EPREL Registration Number	421458

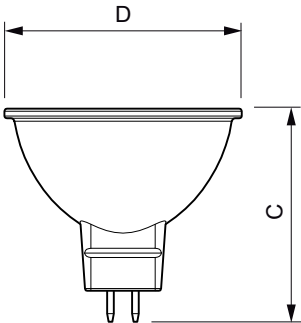
# CorePro LEDspot LV

## Product data

Full product code	871951430708700
Order product name	CorePro LED spot ND 4.4-35W MR16 840 36D
EAN/UPC - Product	8719514307087
Order code	929002494702
Numerator - Quantity Per Pack	1

Numerator - Packs per outer box	10
Material Nr. (12NC)	929002494702
Net Weight (Piece)	0.045 kg

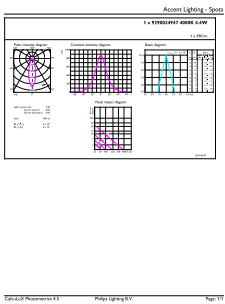
## Dimensional drawing



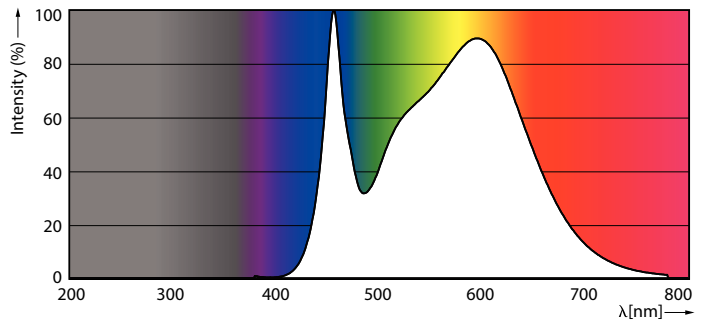
CorePro LED spot ND 4.4-35W MR16 840 36D

Product	D	C
CorePro LED spot ND 4.4-35W MR16 840 36D	50.5 mm	45.5 mm

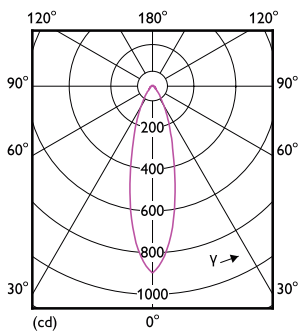
## Photometric data



LEDspots Corepro SLR 2 4,4W MR16 GU5,3 840 36D-ADL



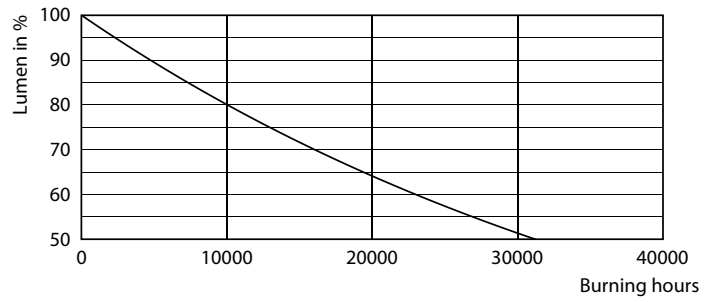
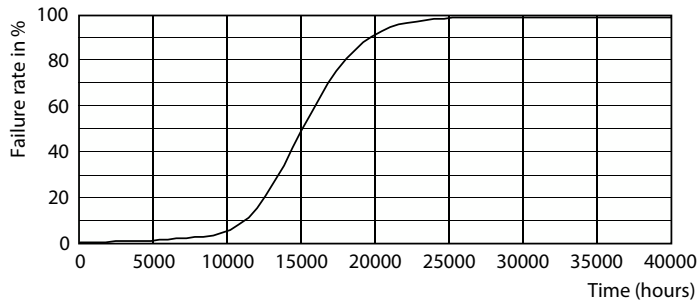
LEDspots Corepro SLR 2 4,4W MR16 GU5,3 840 36D-POC



LEDspots Corepro SLR 2 4,4W MR16 GU5,3 840 36D-LDD

# CorePro LEDspot LV

## Lifetime



Life Expectancy Diagram

Lumen Maintenance Diagram

