

Electronic timer CT-MFS.21

Multifunctional with 2 c/o (SPDT) contacts

The CT-MFS.21 is a multifunctional electronic timer from the CT-S range. It provides 10 timing functions, 10 time ranges and a continuous rated control voltage that enables worldwide use regardless of the supply voltage.

All electronic timers from the CT-S range are available with two different terminal versions. You can choose between the proven screw connection technology (double-chamber cage connection terminals) and the completely tool-free Easy Connect Technology (Push-in terminals).



Characteristics

- Rated control supply voltage 24-240 V AC/DC
- Timing functions:
ON-delay, OFF-delay with auxiliary voltage, impulse-ON, impulse-OFF with auxiliary voltage, symmetrical ON- and OFF-delay, flasher starting with ON, flasher starting with OFF, star-delta change-over with impulse, pulse former, ON/OFF-function
- 10 time ranges (0.05 s - 300 h)
- Control input with volt-free triggering to start timing and/or to pause timing / store time
- Remote potentiometer connection
- Precise adjustment by front-face operating controls
- Screw connection technology or Easy Connect Technology available
- Housing material for highest fire protection classification UL 94 V-0
- Tool-free mounting on DIN rail as well as demounting
- 2 c/o (SPDT) contacts (2nd c/o contact can be selected as instantaneous contact)
- 22.5 mm (0.89 in) width
- 3 LEDs for the indication of operational states

Approvals / Marks

- Approvals / Marks:
- Classifications: EN 50155, IEC 60571, NFF-16-101/102, EN 45545-2

EN 50155, IEC 60571

Temp. class	Voltage supply				Vibration and shocks acc to IEC/EN 61373	coated pcb
	S1	S2	C1	C2		
T3	■	■	■	-	Cat 1, Class B	no

NF F 16-101/102

Flammability index	opticity and toxicity of smoke index	EN 45545-2 Risk level achieved

Order data

Electronic timers

Type	Rated control supply voltage	Connection technology	Time ranges	Order code
CT-MFS.21P	24-240 V AC/DC	Push-in terminals	0.05 s - 300 h	1SVR 740 010 R0200
CT-MFS.21S	24-240 V AC/DC	Screw type terminals	0.05 s - 300 h	1SVR 730 010 R0200

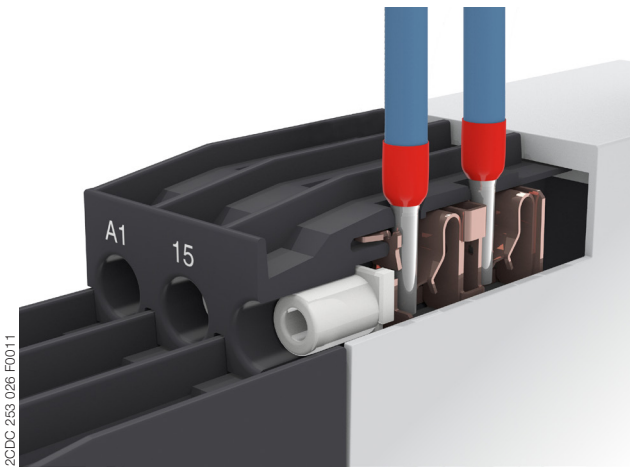
Accessories

Type	Description	Material	Diameter in mm	Marking	Order code
ADP.01	Adapter for screw mounting				1SVR 430 029 R0100
MAR.01	Marker label for devices without DIP switches				1SVR 366 017 R0100
COV.11	Sealable transparent cover				1SVR 730 005 R0100
MT-150B	Remote potentiometer 50 k Ω ±20 % - 0.2 Ω , degree of protection IP66	black plastic	22.5		1SFA 611 410 R1506
MT-250B	Remote potentiometer 50 k Ω ±20 % - 0.2 Ω , degree of protection IP66	chromed plastic	22.5		1SFA 611 410 R2506
MT-350B	Remote potentiometer 50 k Ω ±20 % - 0.2 Ω , degree of protection IP66	chromed metal	22.5		1SFA 611 410 R3506
KA1-8029	Adaptor for reduction of 30 mm hole to 22.5 mm	black plastic			1SFA 616 920 R8029
KA1-8030	Adaptor for reduction of 30 mm hole to 22.5 mm	chromed metal			1SFA 616 920 R8030
SK 615 562-87	Legend plate for remote potentiometer			Symbol (see drwg. in data sheet remote potentiometer)	GJD6 155 620 R0087
SK 615 562-88	Legend plate for remote potentiometer			scale 0 - 10	GJD6 155 620 R0088
MA16-1060	Legend plate for remote potentiometer			scale 0 - 30	1SFA 611 940 R1060

Connection technology

Maintenance free Easy Connect Technology with push-in terminals

Type designation CT-xxS.yyP

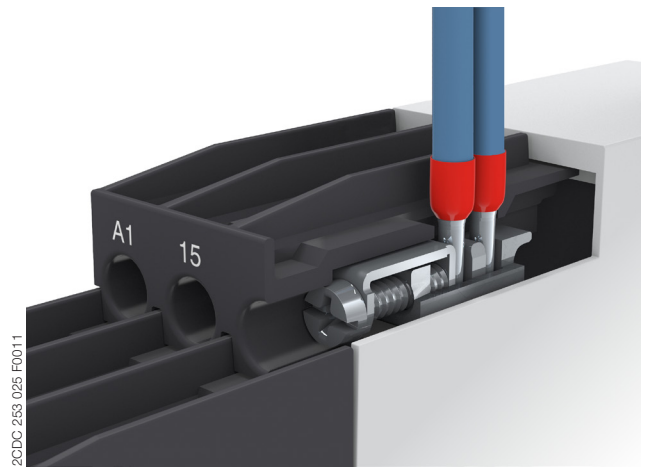


Push-in terminals

- Tool-free connection of rigid and flexible wires with wire end ferrule
- Easy connection of flexible wires without wire end ferrule by opening the terminals
- No retightening necessary
- One operation lever for opening both connection terminals
- For triggering the lever and disconnecting of wires you can use the same tool (Screwdriver according to DIN ISO 2380-1 Form A 0.8 x 4 mm (0.0315 x 0.157 in), DIN ISO 8764-1 PZ1 \varnothing 4.5 mm (0.177 in))
- Constant spring force on terminal point independent of the applied wire type, wire size or ambient conditions (e. g. vibrations or temperature changes)
- Opening for testing the electrical contacting
- Gas-tight

Approved screw connection technology with double-chamber cage connection terminals

Type designation CT-xxS.yyS



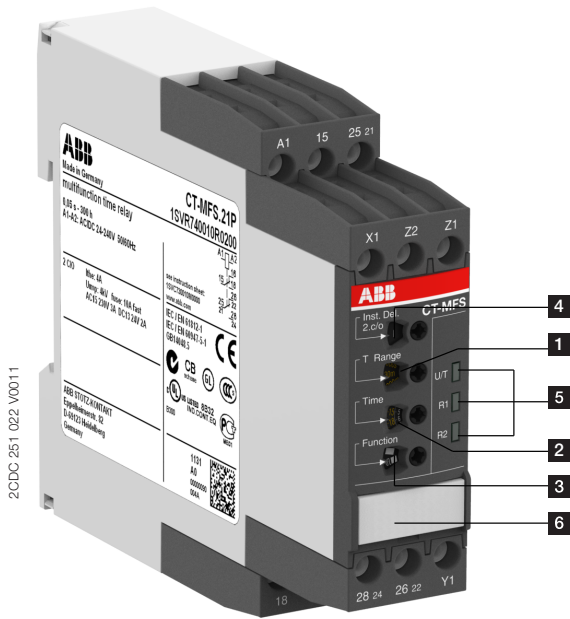
Double-chamber cage connection terminals

- Terminal spaces for different wire sizes
- One screw for opening and closing of both cages
- Pozidrive screws for pan- or crosshead screwdrivers according to DIN ISO 2380-1 Form A 0.8 x 4 mm (0.0315 x 0.157 in), DIN ISO 8764-1 PZ1 \varnothing 4.5 mm (0.177 in)

Both the Easy Connect Technology with push-in terminals and screw connection technology with double-chamber cage connection terminals have the same connection geometry as well as terminal position.

Functions

Operating controls



- 1 Rotary switch for the preselection of the time range
- 2 Fine adjustment of the time delay
- 3 Rotary switch for the preselection of the timing function

- ☒ ON-delay
- OFF-delay with auxiliary voltage
- ☒■ Symmetrical ON- and OFF-delay
- 1⏏☒ Impulse-ON
- 1⏏■ Impulse-OFF with auxiliary voltage
- ⏏☒ Flasher with reset, starting with ON
- ⏏■ Flasher with reset, starting with OFF
- ▭ Pulse former
- ON/OFF-function
- △1⏏ Star-delta change-over with impulse

- 4 Rotary switch to set the 2nd c/o (SPDT) contact as an instantaneous contact

- 5 Indication of operational states

U/T: green LED - control supply voltage / timing

R1: yellow LED - status of output relay 1

R2: yellow LED - status of output relay 2

- 6 Marker label

Application

The CT-S range timers are designed for use in industrial applications. They operate over a universal range of supply voltages and a large time delay range, within compact dimensions. The easy-to-set front-face potentiometers, with direct reading scales, provide accurate time delay adjustment.

Multifunction timers are ideally suited for service and maintenance applications, because one device can replace a number of time relays with different functions, voltage and time ranges. This reduces inventory and saves money.

Operating mode

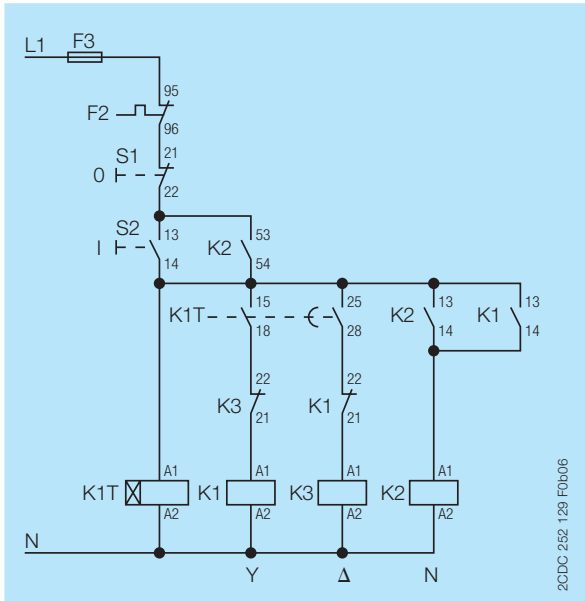
The CT-MFS.21 with 2 c/o (SPDT) contacts offers 10 timing functions. The function is rotary switch selectable on the front of the unit. Each function is indicated by an international function symbol.

One of 10 time ranges, from 0.05 s to 300 h, can be selected with another rotary switch. The fine adjustment of the time delay is made via an internal potentiometer, with a direct reading scale, on the front of the unit. When an external potentiometer is connected to terminals Z1-Z2, the internal adjustment is disabled and external adjustment is enabled.

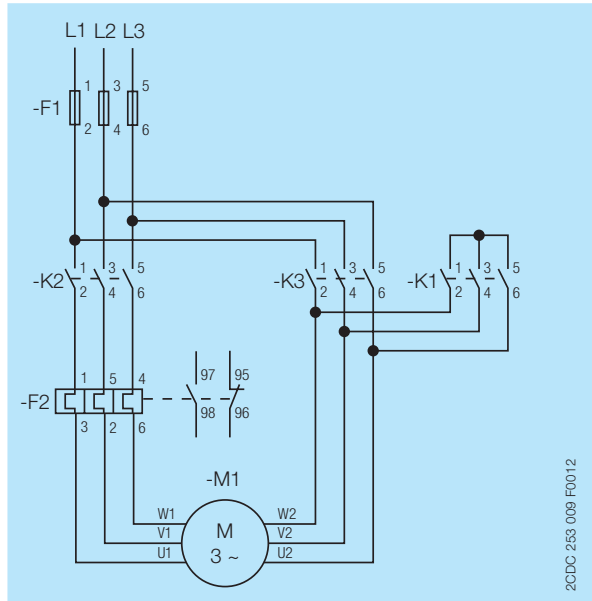
By means of a front-face rotary switch, the function of the 2nd c/o (SPDT) contact can be set to instantaneous contact.

Timing is displayed by a flashing green LED labelled U/T.

Examples of application



Star-delta change-over, control circuit diagram



Star-delta change-over, power circuit diagram

Function diagrams

Remote potentiometer connection

When an external potentiometer is connected to the remote potentiometer connection (terminals Z1-Z2), the internal, front-face potentiometer is disabled and the time adjustment is made via the external potentiometer.

2nd c/o (SPDT) contact selectable as instantaneous contact

When switch position Inst. "I" is selected, the functionality of the 2nd c/o (SPDT) contact changes to an instantaneous contact. It acts like the c/o (SPDT) contacts of a switching relay, i.e. applying or interrupting the control supply voltage energizes or de-energizes the c/o (SPDT) contact. The designation of the 2nd c/o (SPDT) contact changes from 25-26/28 to 21-22/24, when selected as instantaneous contact.

ON-delay

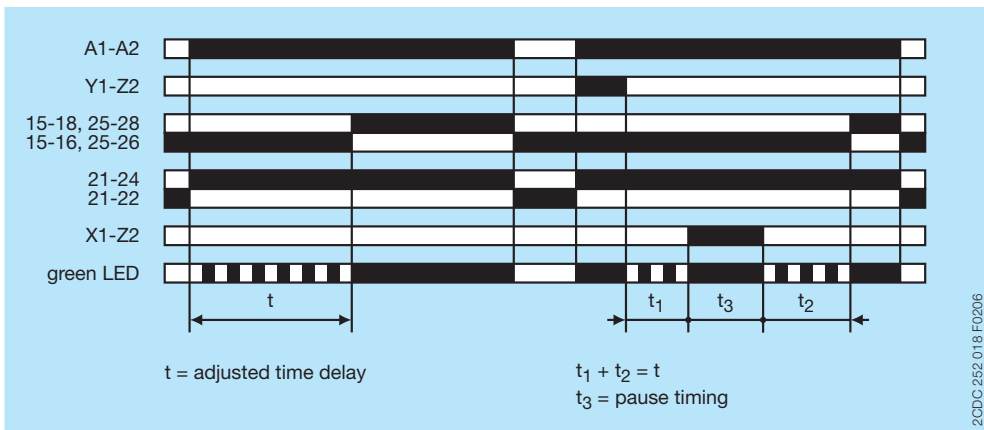
This function requires continuous control supply voltage for timing.

If control input Y1-Z2 is open, timing begins when control supply voltage is applied. Or, if control supply voltage is already applied, opening control input Y1-Z2 also starts timing. The green LED flashes during timing. When the selected time delay is complete, the output relays energize and the flashing green LED turns steady.

If control input Y1-Z2 closes before the time delay is complete, the time delay is reset and the output relays remain de-energized.

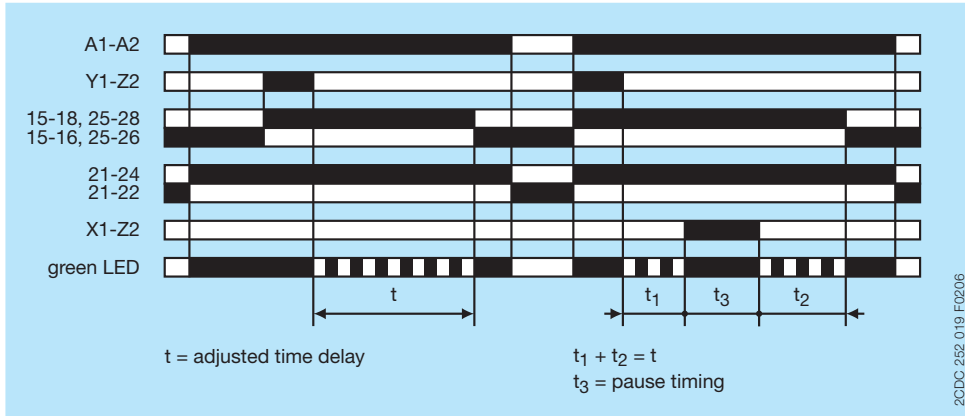
Pause timing / Accumulative ON-delay: Timing can be paused by closing control input X1-Z2. The elapsed time t_1 is stored and continues from this time value when X1-Z2 is reopened. This can be repeated as often as required.

If control supply voltage is interrupted, the output relays de-energize and the time delay is reset.



OFF-delay with auxiliary voltage

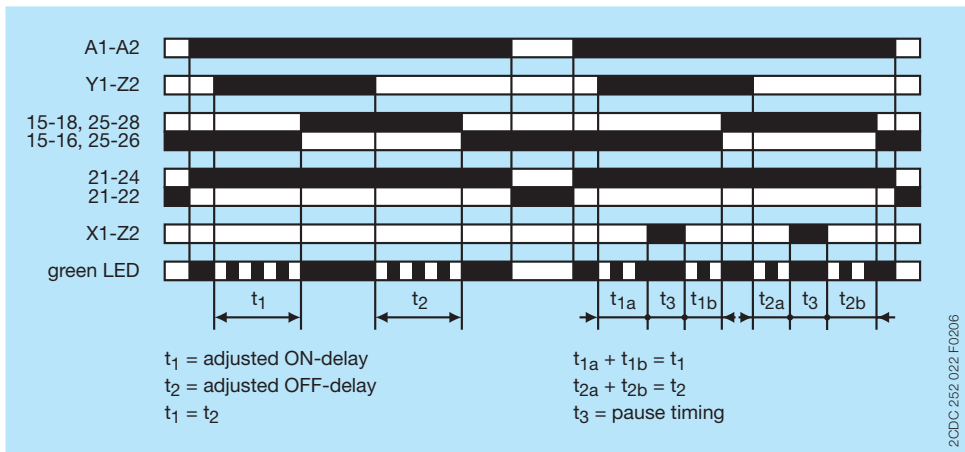
This function requires continuous control supply voltage for timing. If control input Y1-Z2 is closed, the output relays energize immediately. If control input Y1-Z2 is opened, the time delay starts. The green LED flashes during timing. When the selected time delay is complete, the output relays de-energize and the flashing green LED turns steady. If control input Y1-Z2 closes before the time delay is complete, the time delay is reset and the output relays do not change state. Timing starts again when control input Y1-Z2 re-opens. Pause timing / Accumulative OFF-delay: Timing can be paused by closing control input X1-Z2. The elapsed time t_1 is stored and continues from this time value when X1-Z2 is re-opened. This can be repeated as often as required. If control supply voltage is interrupted, the output relays de-energize and the time delay is reset.



Symmetrical ON- and OFF-delay

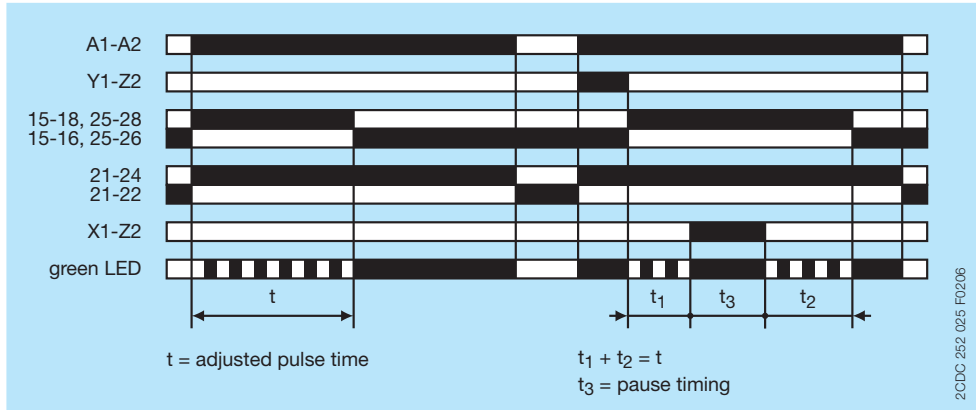
This function requires continuous control supply voltage for timing. Closing control input Y1-Z2 starts the ON-delay t_1 . When timing is complete, the output relays energize. Opening control input Y1-Z2 starts the OFF-delay t_2 . Both timing functions are displayed by the flashing green LED. When the OFF-delay t_2 is complete, the output relays de-energize.

If control input Y1-Z2 opens before the ON-delay t_1 is complete, the time delay is reset and the output relays remain de-energized. If control input Y1-Z2 closes before the OFF-delay t_2 is complete, the time delay is reset and the output relays remain energized. Pause timing / Accumulative, symmetrical ON-delay and OFF-delay: Timing can be paused by closing control input X1-Z2. The elapsed time t_{1a} or t_{2a} is stored and continues from this time value when X1-Z2 is re-opened. This can be repeated as often as required. If control supply voltage is interrupted, the output relays de-energize and the time delay is reset.



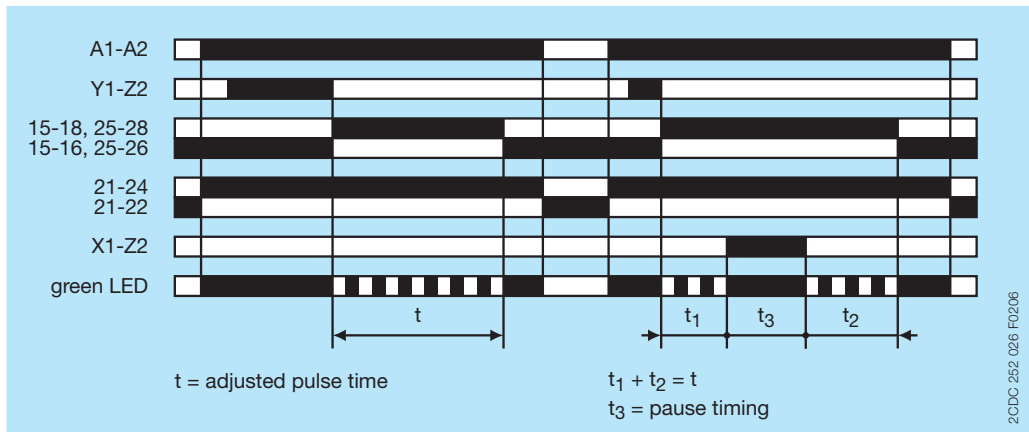
1 □ ⊠ Impulse-ON

This function requires continuous control supply voltage for timing. The output relays energize immediately when control supply voltage is applied and de-energize after the set pulse time is complete. If control input Y1-Z2 is open, timing begins when control supply voltage is applied. Or, if control supply voltage is already applied, opening control input Y1-Z2 starts timing. The green LED flashes during timing. When the selected pulse time is complete, the output relays de-energize and the flashing green LED turns steady. Closing control input Y1-Z2, before the pulse time is complete, de-energizes the output relays and resets the pulse time. Pause timing / Accumulative impulse-ON: Timing can be paused by closing control input X1-Z2. The elapsed time t_1 is stored and continues from this time value when X1-Z2 is re-opened. This can be repeated as often as required. If control supply voltage is interrupted, the output relays de-energize and the time delay is reset.



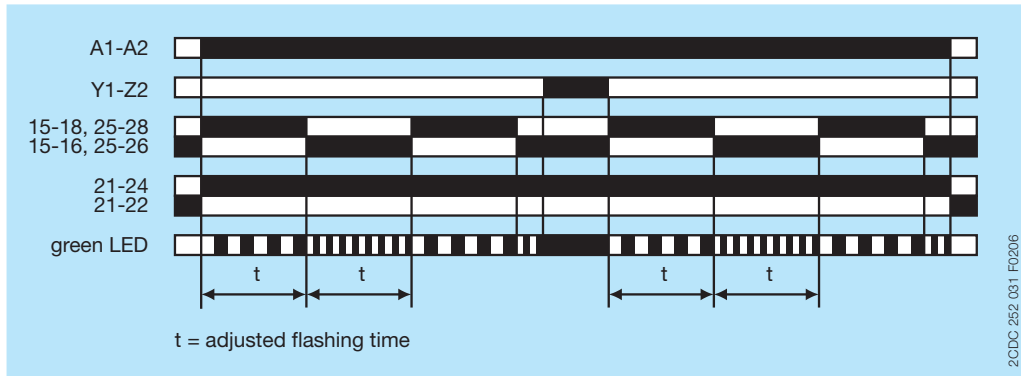
1 □ ■ Impulse-OFF with auxiliary voltage

This function requires continuous control supply voltage for timing. If control supply voltage is applied, opening control input Y1-Z2 energizes the output relays immediately and starts timing. The green LED flashes during timing. When the selected pulse time is complete, the output relays de-energize and the flashing green LED turns steady. Closing control input Y1-Z2, before the pulse time is complete, de-energizes the output relays and resets the pulse time. Pause timing / Accumulative impulse-OFF: Timing can be paused by closing control input X1-Z2. The elapsed time t_1 is stored and continues from this time value when X1-Z2 is re-opened. This can be repeated as often as required. If control supply voltage is interrupted, the output relays de-energize and the time delay is reset.



⏏ Flasher with reset, starting with ON

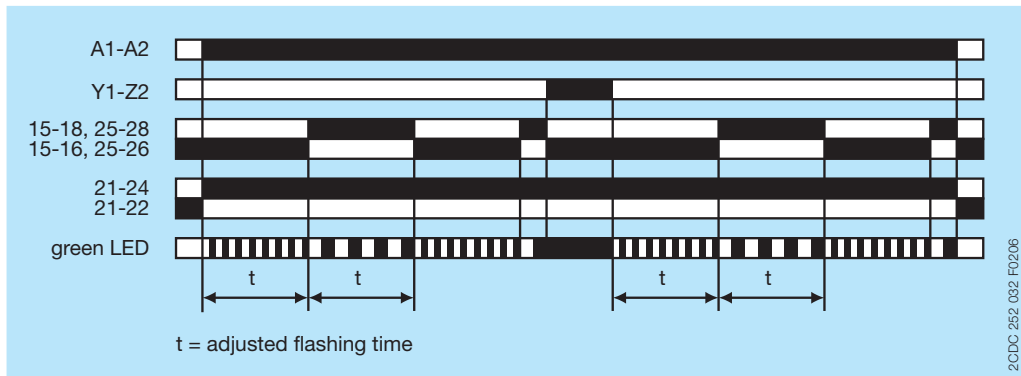
Applying control supply voltage starts timing with symmetrical ON / OFF times. The cycle starts with an ON time first. The ON / OFF times are displayed by the flashing green LED, which flashes twice as fast during the OFF time. The time delay can be reset by closing control input Y1-Z2. Opening control input Y1-Z2 starts the timer pulsing again with symmetrical ON / OFF times. If control supply voltage is interrupted, the output relays de-energize and the time delay is reset.



⏏ Flasher with reset, starting with OFF

Applying control supply voltage starts timing with symmetrical ON / OFF times. The cycle starts with an OFF time first. The ON / OFF times are displayed by the flashing green LED, which flashes twice as fast during the OFF time.

The time delay can be reset by closing control input Y1-Z2. Opening control input Y1-Z2 starts the timer pulsing again with symmetrical ON / OFF times. If control supply voltage is interrupted, the output relays de-energize and the time delay is reset.

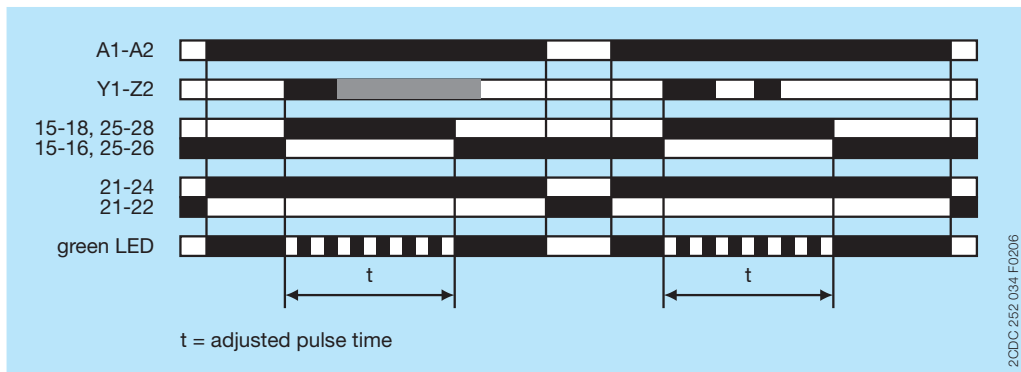


⏏ Pulse former

This function requires continuous control supply voltage for timing.

Closing control input Y1-Z2 energizes the output relays immediately and starts timing. Operating the control contact switch Y1-Z2 during the time delay has no effect. The green LED flashes during timing. When the selected ON time is complete, the output relays de-energize and the flashing green LED turns steady. After the ON time is complete, it can be restarted by closing control input Y1-Z2.

If control supply voltage is interrupted, the output relays de-energize and the time delay is reset.



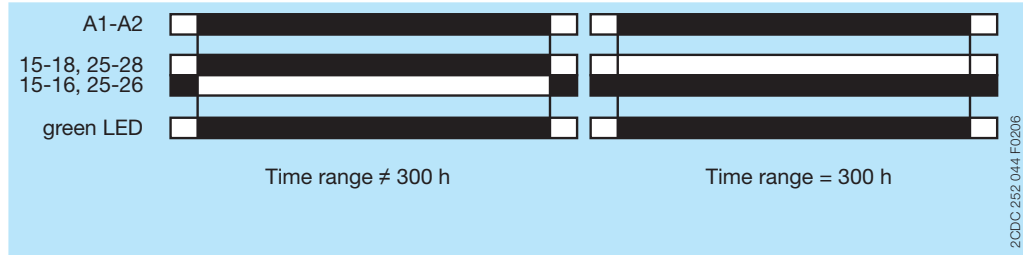
□ ON/OFF-function

This function is used for test purposes during commissioning and troubleshooting.

If the selected max. value of the time range is smaller than 300 h (front-face potentiometer "T Range" not 300 h), applying control supply voltage energizes the output relays immediately and the green LED is on. Interrupting control supply voltage, de-energizes the output relays.

If the selected max. value of the time range is 300 h (front-face potentiometer "T Range" = 300 h) and control supply voltage is applied, the green LED is on, but the output relays do not energize.

Time settings and operating of the control inputs have no effect on the operation.

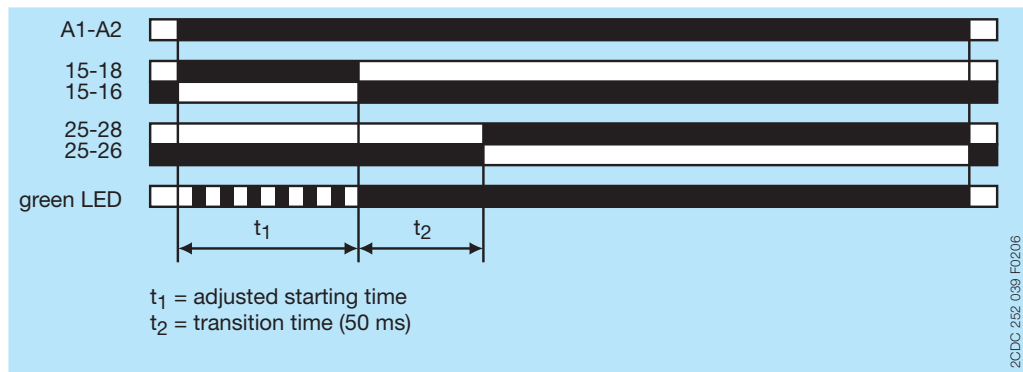


△1∩ Star-delta change-over with impulse

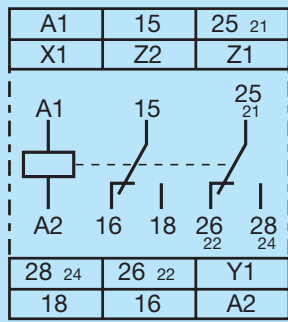
This function requires continuous control supply voltage for timing.

Applying control supply voltage to terminals A1-A2, energizes the star contactor connected to terminals 15-18 and begins the set starting time t_1 . The green LED flashes during timing. When the starting time is complete, the first c/o (SPDT) contact de-energizes the star contactor.

Now, the fixed transition time t_2 of 50 ms starts. When the transition time is complete, the second c/o (SPDT) contact energizes the delta contactor connected to terminals 25-28. The delta contactor remains energized as long as control supply voltage is applied to the unit.



Electrical connection

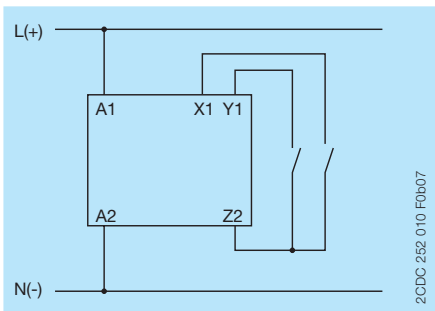


2CDC 252 006 F0b06

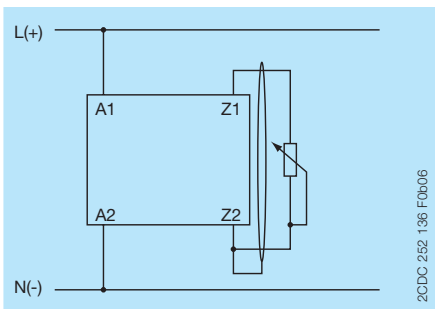
- 15-16/18 1st c/o (SPDT) contact
- 21-22/24 2nd c/o (SPDT) contact as instantaneous contact
- 25-26/28 2nd c/o (SPDT) contact
- A1-A2 Rated control supply voltage U_S 24-240 V AC/DC
- X1-Z2 Control input
- Y1-Z2 Control input
- Z1-Z2 Remote potentiometer connection

Connection diagram

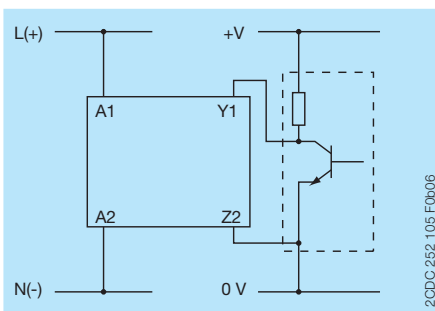
Wiring instructions



Control input (volt-free triggering)



Remote potentiometer







Triggering of the control inputs with a proximity switch (3 wire)

Technical data

Data at $T_a = 25\text{ °C}$ and rated values, unless otherwise indicated

Input circuits

Supply circuit		A1-A2
Rated control supply voltage U_s		24-240 V AC/DC
Rated control supply voltage U_s tolerance	24-240 V AC/DC	-15...+10 %
Rated frequency	DC	n/a
	AC	50/60 Hz
Frequency range	AC	47-63 Hz
Typical current / power consumption	24 V DC	24 mA / 0.6 W
	115 V AC	22 mA / 2.6 VA
	230 V AC	12 mA / 3.0 VA
Power failure buffering time	24 V DC	min. 15 ms
	230 V AC	min. 20 ms
Release voltage		> 10 % of the min. rated control supply voltage U_s
Control circuit		
Control input, control function	X1-Z2	pause timing external
	Y1-Z2	start timing external
Kind of triggering		volt-free triggering
Maximum switching current in the control circuit		1 mA
Maximum cable length to the control inputs		50 m - 100 pF/m
Minimum control pulse length		20 ms
No-load voltage at the control input		10-40 V DC
Remote potentiometer connection	Z1-Z2	50 k Ω
Maximum cable length to the control inputs		2 x 25 m, shielded with 100 pF/m
Shield connection		Z2
Timing circuit		
Kind of timer	Multifunction timer	ON-delay OFF-delay with auxiliary voltage Impulse-ON Impulse-OFF with auxiliary voltage Symmetrical ON- and OFF-delay Flasher with reset, starting with ON Flasher with reset, starting with OFF Star-delta change-over with impulse Pulse former ON/OFF-function
Time ranges	0.05 s - 300 h	0.05-1 s, 0.15-3 s, 0.5-10 s, 1.5-30 s, 5-100 s, 15-300 s, 1.5-30 min, 15-300 min, 1.5-30 h, 15-300 h
Recovery time		< 50 ms
Repeat accuracy (constant parameters)		$\Delta t < \pm 0.2\%$
Accuracy within the rated control supply voltage tolerance		$\Delta t < 0.004\%/V$
Accuracy within the temperature range		$\Delta t < 0.03\%/^{\circ}\text{C}$
Setting accuracy of time delay		$\pm 6\%$ of full-scale value
Star-delta transition time		fixed, 50 ms
Star-delta transition time tolerance		$\pm 2\text{ ms}$
User interface		
Indication of operational states		
Control supply voltage / timing	U/T: green LED	 : control supply voltage applied
	U/T: green LED	 : timing
Relay status	R1: yellow LED	 : output relay 1 energized
	R2: yellow LED	 : output relay 2 energized

Output circuits

Kind of output	15-16/18	relay, 1st c/o (SPDT) contact
	25-26/28	relay, 2nd c/o (SPDT) contact
	25(21)-26(22)/28(24)	relay, 2nd c/o (SPDT) contact selectable as instantaneous contact
Contact material		Cd-free
Rated operational voltage U_e		250 V
Minimum switching voltage / Minimum switching current		12 V / 10 mA
Maximum switching voltage / Maximum switching current		see 'Load limit curves' on page 13
Rated operational current I_e	AC-12 (resistive) at 230 V	4 A
	AC-15 (inductive) at 230 V	3 A
	DC-12 (resistive) at 24 V	4 A
	DC-13 (inductive) at 24 V	2 A
AC rating (UL 508)	utilization category (Control Circuit Rating Code)	B 300
	max. rated operational voltage	300 V AC
	max. continuous thermal current at B 300	5 A
	max. making / breaking apparent power at B 300	3600/360 VA
Mechanical lifetime		30×10^6 switching cycles
Electrical lifetime	AC-12, 230 V, 4 A	0.1×10^6 switching cycles
Frequency of operation, with/without load		$360/72000 \text{ h}^{-1}$
Maximum fuse rating to achieve short-circuit protection	n/c contact	6 A fast-acting
	n/o contact	10 A fast-acting

General data

MTBF		on request	
Duty time		100 %	
Dimensions (W x H x D)	product dimensions	22.5 x 85.6 x 103.7 mm (0.89 x 3.37 x 4.08 in)	
	packaging dimensions	97 x 109 x 30 mm (3.82 x 4.29 x 1.18 in)	
Weight		Screw connection technology	Easy Connect Technology (push-in)
	net weight	0.145 kg (0.320 lb)	0.133 kg (0.293 lb)
	gross weight	0.167 kg (0.368 lb)	0.156 kg (0.344 lb)
Mounting		DIN rail (IEC/EN 60715), snap-on mounting without any tool	
Mounting position		any	
Minimum distance to other units	vertical	not necessary	
	horizontal	not necessary	
Material of housing		UL 94 V-0	
Degree of protection	housing	IP50	
	terminals	IP20	

Electrical connection

		Screw connection technology	Easy Connect Technology (push-in)
Connecting capacity	fine-strand with(out) wire end ferrule	1 x 0.5-2.5 mm ² (1 x 18-14 AWG) 2 x 0.5-1.5 mm ² (2 x 18-16 AWG)	2 x 0.5-1.5 mm ² (2 x 18-16 AWG)
	rigid	1 x 0.5-4 mm ² (1 x 20-12 AWG) 2 x 0.5-2.5 mm ² (2 x 20-14 AWG)	2 x 0.5-1.5 mm ² (2 x 20-16 AWG)
Stripping length		8 mm (0.32 in)	
Tightening torque		0.6 - 0.8 Nm (7.08 lb.in)	-

Environmental data

Ambient temperature ranges	operation	-40...+60 °C
	storage	-40...+85 °C
Relative humidity range		25 % to 85 %
Vibration, sinusoidal (IEC/EN 60068-2-6)	functioning	40 m/s ² , 10-58/60-150 Hz
	resistance	60 m/s ² , 10-58/60-150 Hz, 20 cycles
Vibration, seismic (IEC/EN 60068-3-3)	functioning	20 m/s ²
Shock, half-sine (IEC/EN 60068-2-27)	functioning	150 m/s ² , 11 ms, 3 shocks/direction
	resistance	300 m/s ² , 11 ms, 3 shocks/direction

Isolation data

Rated insulation voltage U _i	input circuit / output circuit	500 V
	output circuit 1 / output circuit 2	300 V
Rated impulse withstand voltage U _{imp} between all isolated circuits		4 kV; 1.2/50 µs
Power-frequency withstand voltage between all isolated circuits (test voltage)		2.0 kV; 50 Hz, 1 min
Basic insulation (IEC/EN 61140)	input circuit / output circuit	500 V
Protective separation (IEC/EN 61140; EN 50178)	input circuit / output circuit	250 V
Pollution degree		3
Overvoltage category		III

Standards / Directives

Standards	IEC/EN 61812-1
Low Voltage Directive	2014/35/EU
EMC Directive	2014/30/EU
RoHS Directive	2011/65/EU

Railway application standards

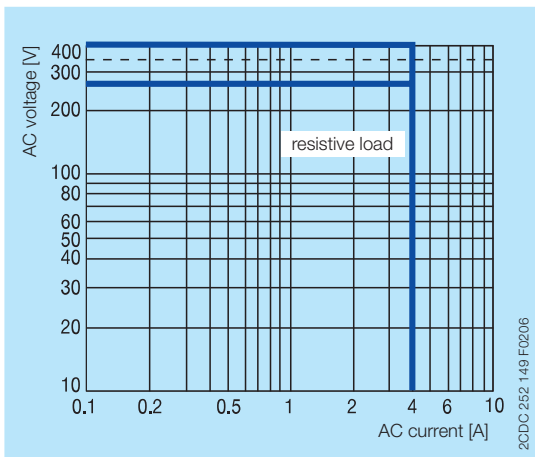
EN 50155, IEC 60571	temperature class	T3
“Railway applications – Electronic equipment used on rolling stock”	supply voltage category	S1, S2, C1
IEC/EN 61373		Category 1, Class B
“Railway applications – Rolling stock equipment – Shock and vibration tests”		
EN 45545-2 Railway applications – Fire protection on railway vehicles – part 2: Requirements for fire behavior of materials and components		HL3
	ISO 4589-2	LOI 32.3 %
	NF X-70-100-1	C.I.T. (T12) 0.45
	EN ISO 5659-2	Ds max (T10.03) 104
NF F 16-101: Rolling stock. Fire behaviour. Materials choosing		I2 / F2
NF F 16-102: Railway rolling stock. Fire behaviour. Materials choosing, application for electric equipment		

Electromagnetic compatibility

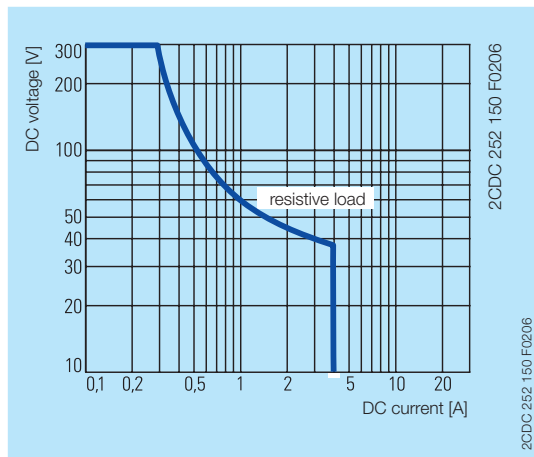
Interference immunity to		IEC/EN 61000-6-2
electrostatic discharge	IEC/EN 61000-4-2	Level 3, 6 kV / 8 kV
radiated, radio-frequency, electromagnetic field	IEC/EN 61000-4-3	Level 3, 10 V/m (1 GHz) / 3 V/m (2 GHz) / 1 V/m (2.7 GHz)
electrical fast transient / burst	IEC/EN 61000-4-4	Level 3, 2 kV / 5 kHz
surge	IEC/EN 61000-4-5	Level 4, 2 kV A1-A2
conducted disturbances, induced by radio-frequency fields	IEC/EN 61000-4-6	Level 3, 10 V
harmonics and interharmonics	IEC/EN 61000-4-13	Class 3
Interference emission		IEC/EN 61000-6-3
high-frequency radiated	IEC/CISPR 22, EN 55022	Class B
high-frequency conducted	IEC/CISPR 22, EN 55022	Class B

Technical diagrams

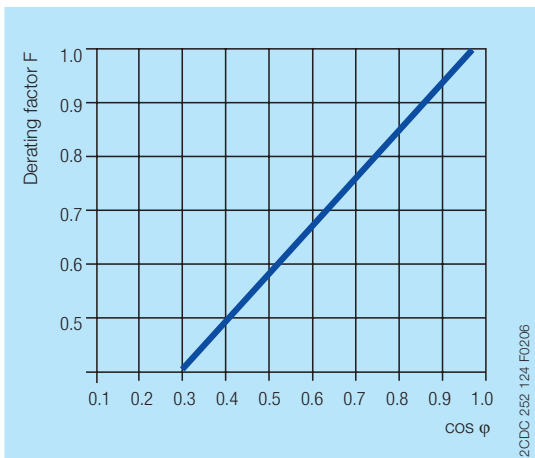
Load limit curves



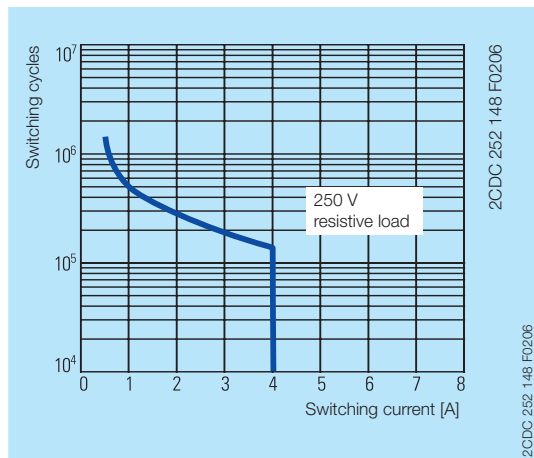
AC load (resistive)



DC load (resistive)



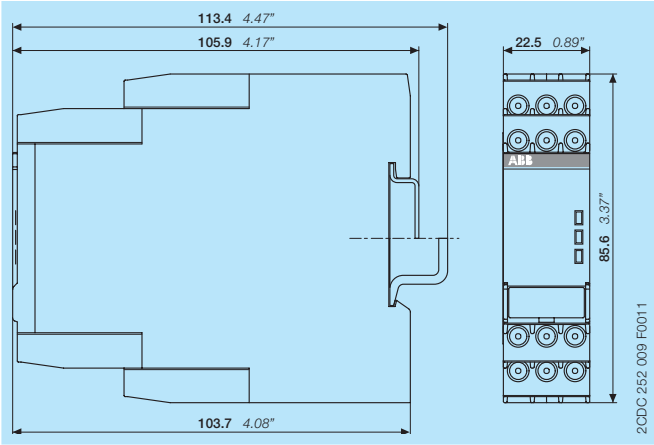
Derating factor F for inductive AC load



Contact lifetime

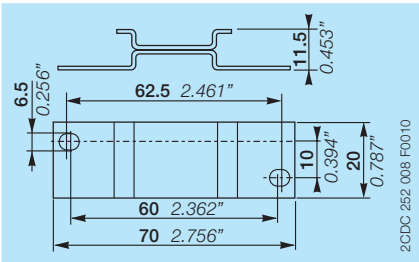
Dimensions

in **mm** and *inches*

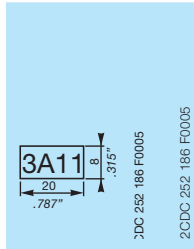


Accessories

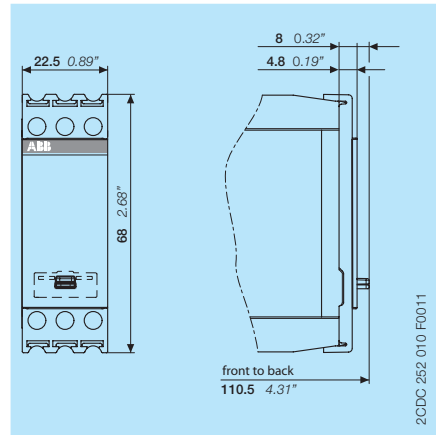
in **mm** and *inches*



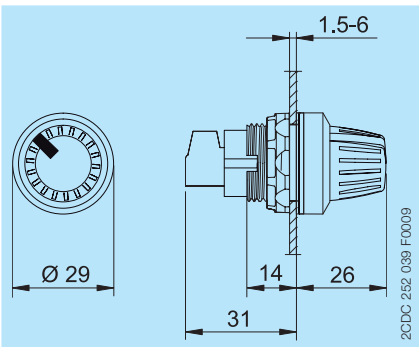
ADP.01 - Adapter for screw mounting



MAR.01 - Marker label



COV.11 - Sealable transparent cover



Remote potentiometer

Further documentation

Document title	Document type	Document number
Electronic Products and Relays	Technical catalogue	2CDC 110 004 C02xx
CT-AHS, CT-ARS, CT-MBS, CT-MFS	Instruction manual	1SVC 730 010 M0000
Remote potentiometer for CT-S range time relays	Data sheet	2CDC 111 108 D0201

You can find the documentation on the internet at www.abb.com/lowvoltage
-> Automation, control and protection -> Electronic relays and controls -> Electronic timers.

CAD system files

You can find the CAD files for CAD systems at <http://abb-control-products.partcommunity.com>
-> Low Voltage Products & Systems -> Control Products -> Electronic Relays and Controls.

Contact us

ABB STOTZ-KONTAKT GmbH

P. O. Box 10 16 80
69006 Heidelberg, Germany
Phone: +49 (0) 6221 7 01-0
Fax: +49 (0) 6221 7 01-13 25
E-mail: info.desto@de.abb.com

You can find the address of your
local sales organization on the
ABB home page
<http://www.abb.com/contacts>
-> Low Voltage Products and Systems

Note:

We reserve the right to make technical changes or modify the contents of this document without prior notice. With regard to purchase orders, the agreed particulars shall prevail. ABB AG does not accept any responsibility whatsoever for potential errors or possible lack of information in this document.

We reserve all rights in this document and in the subject matter and illustrations contained therein. Any reproduction, disclosure to third parties or utilization of its contents – in whole or in parts – is forbidden without prior written consent of ABB AG.

Copyright© 2016 ABB
All rights reserved