

Hour meters / timers, electromechanical

Timers with DIN dimensions **DIN counter for panel mount / DIN rail housing, 48 x 48 mm (AC+DC)** **H 57 / AH 57**



The hour meters H 57, H 57.55, H 57.72 and AH 57 feature a very high shock resistance. These panel / DIN rail mount counters have a reduced mounting depth. They can be used in many different fields of application. These non-resettable counters are extremely tamper-proof.



Characteristics

- 7 or 8-digit hour meter
- High shock and impact resistance
- Without reset, small mounting depth
- Magnified large figures
- Protection IP52 (optional IP65), suitable for any mounting position
- UL-approved
- Various front bezel sizes
 - H 57 48 x 48 mm
 - H 57.55 55 x 55 mm
 - H 57.72 72 x 72 mm
 - AH 57 48 x 48 mm for DIN rail

Benefits

- 5 years guarantee ¹⁾
- High reliability: for a better sale of your final product
- Data retention in case of power failure
- Long service life

Applications

General time measurement, maintenance intervals for measuring instruments (respiration units, oxygen, dialysis), small appliances, UV lamps, display panels in vehicles

Hour meters /
Timers

Type series

Description	Mounting	Front bezel	Type
Standard DIN timer	clip mounting, on rear	48 x 48 mm	H 57
Standard DIN timer	clip mounting, on rear	55 x 55 mm	H 57.55
Standard DIN timer	clip mounting, on rear	72 x 72 mm	H 57.72
Base mount timer	DIN rail 35 mm acc. to DIN EN 50022		AH 57

Accessories			Order-No.
Adapter front bezel, 55 x 55 mm	For cut-out 50 x 50 mm or ø 50.5 mm to cut-out 45 x 45 mm, with clip mounting for counters 48 x 48 mm	black	T008171
Adapter front bezel, 60 x 75 mm	For cut-out 50 x 50 mm to cut-out 45 x 45 mm, with screw mounting for counters 48 x 48 mm	black	T008860
Adapter front bezel, 72 x 72 mm	For cut-out 68 x 68 mm to cut-out 45 x 45 mm, mating clip T009420 must be ordered separately	black	T008177
Adapter front bezel, ø 72 mm	For cut-out ø 60 mm to 45 x 45 mm, with clip mounting for counters 48 x 48 mm	black	N510226
Base-mount socket	For H 57	black	G008040

Suitable gaskets as well as further accessories can be found in the accessories section or in the accessories area of our website at: www.kuebler.com/accessories.

1) When used as specified in the technical data

Hour meters / timers, electromechanical

Timers with DIN dimensions DIN counter for panel mount / DIN rail housing, 48 x 48 mm (AC+DC) H 57 / AH 57

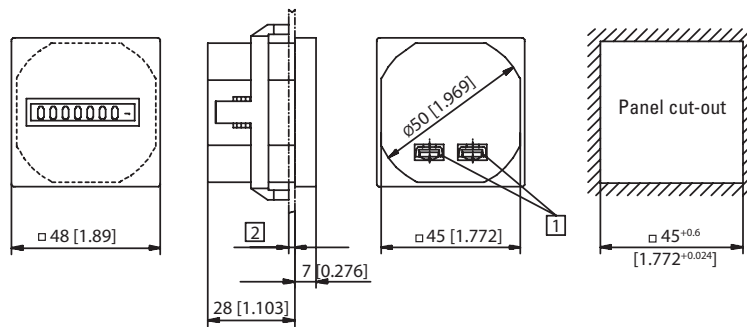
Technical data															
Electrical connection	screw terminals (tightening torque max. 0.8 Nm) wire entry from behind, for \varnothing 2.5 mm ²														
Power consumption	<table border="0"> <tr> <td>10 ... 30 V DC</td> <td>approx. 500 mW</td> </tr> <tr> <td>100 ... 130 V DC</td> <td>approx. 750 mW</td> </tr> <tr> <td>20 ... 30 V AC, 50 Hz</td> <td>approx. 0.3 VA</td> </tr> <tr> <td>42 ... 48 V AC, 50 Hz</td> <td>approx. 0.25 VA</td> </tr> <tr> <td>100 ... 130 V AC, 50 Hz</td> <td>approx. 0.6 VA</td> </tr> <tr> <td>187 ... 264 V AC, 50 Hz</td> <td>approx. 1.2 VA</td> </tr> <tr> <td>360 ... 440 V AC, 50 Hz</td> <td>approx. 1.65 VA</td> </tr> </table>	10 ... 30 V DC	approx. 500 mW	100 ... 130 V DC	approx. 750 mW	20 ... 30 V AC, 50 Hz	approx. 0.3 VA	42 ... 48 V AC, 50 Hz	approx. 0.25 VA	100 ... 130 V AC, 50 Hz	approx. 0.6 VA	187 ... 264 V AC, 50 Hz	approx. 1.2 VA	360 ... 440 V AC, 50 Hz	approx. 1.65 VA
10 ... 30 V DC	approx. 500 mW														
100 ... 130 V DC	approx. 750 mW														
20 ... 30 V AC, 50 Hz	approx. 0.3 VA														
42 ... 48 V AC, 50 Hz	approx. 0.25 VA														
100 ... 130 V AC, 50 Hz	approx. 0.6 VA														
187 ... 264 V AC, 50 Hz	approx. 1.2 VA														
360 ... 440 V AC, 50 Hz	approx. 1.65 VA														
Rated voltages	<table border="0"> <tr> <td>AC (50 or 60 Hz)</td> <td>20 ... 30 V, 42 ... 48 V, 100 ... 130 V, 187 ... 264 V, 360 ... 440 V</td> </tr> <tr> <td>DC</td> <td>10 ... 30 V, 36 ... 80 V, 100 ... 130 V</td> </tr> </table>	AC (50 or 60 Hz)	20 ... 30 V, 42 ... 48 V, 100 ... 130 V, 187 ... 264 V, 360 ... 440 V	DC	10 ... 30 V, 36 ... 80 V, 100 ... 130 V										
AC (50 or 60 Hz)	20 ... 30 V, 42 ... 48 V, 100 ... 130 V, 187 ... 264 V, 360 ... 440 V														
DC	10 ... 30 V, 36 ... 80 V, 100 ... 130 V														
On time	100 %														
Number of digits	<table border="0"> <tr> <td>7 at AC</td> <td>99999.99 h</td> </tr> <tr> <td>8 at DC</td> <td>999999.99 h</td> </tr> </table>	7 at AC	99999.99 h	8 at DC	999999.99 h										
7 at AC	99999.99 h														
8 at DC	999999.99 h														
Count mode	adding														
Height of figures	4 mm														
Colour of figures	white and red on black														
Operating temperature	-15°C ... +50°C (non-condensing)														
Storage temperature	-40°C ... +85°C														
Relative humidity	< 95% (non-condensing)														
Mounting position	any														
Protection	IP52, DIN 40050 (front side)														
Housing	plastic PC (Polycarbonate)														
Accuracy	<table border="0"> <tr> <td>AC</td> <td>supply frequency + 30 ms</td> </tr> <tr> <td>DC</td> <td>< 0.003 % (at 24 h)</td> </tr> </table>	AC	supply frequency + 30 ms	DC	< 0.003 % (at 24 h)										
AC	supply frequency + 30 ms														
DC	< 0.003 % (at 24 h)														
Weight	<table border="0"> <tr> <td>H 57</td> <td>approx. 48 g</td> </tr> <tr> <td>base mount socket no. 48</td> <td>36 g</td> </tr> <tr> <td>slip-on bezel 55</td> <td>8 g</td> </tr> <tr> <td>slip-on bezel 72</td> <td>13 g</td> </tr> </table>	H 57	approx. 48 g	base mount socket no. 48	36 g	slip-on bezel 55	8 g	slip-on bezel 72	13 g						
H 57	approx. 48 g														
base mount socket no. 48	36 g														
slip-on bezel 55	8 g														
slip-on bezel 72	13 g														
Operating indicator of the running time meter	<table border="0"> <tr> <td>AC</td> <td>fast rotating wheel with red dashes</td> </tr> <tr> <td>DC</td> <td>11/100 h display turns continuously by 1 digit in 36 s</td> </tr> </table>	AC	fast rotating wheel with red dashes	DC	11/100 h display turns continuously by 1 digit in 36 s										
AC	fast rotating wheel with red dashes														
DC	11/100 h display turns continuously by 1 digit in 36 s														
Test voltage	2000 V AC, 50 Hz for AC counters														
UL approval	E128604 the version 360 ... 440 V AC is not UL listed														

Options							
Colour of housing	grey Art.-No. 3.22X.400.XXX						
Timer H 57.55 mounted with adapter front bezel 55 x 55 mm	Art.-No. 3.221.XXX.XXX						
Timer H 57.72 montiert mit Adapter-Frontrahmen 72 x 72 mm	Art.-No. 3.222.XXX.XXX						
Electrical connection	flat pin 0.8 x 6.3 mm Art.-No.: 3.228.401.XXX						
IP65 version, welded front cover	<table border="0"> <tr> <td>H 57</td> <td>Art.-No. 3.220.XXX.XXX.422</td> </tr> <tr> <td>H 57.55</td> <td>Art.-No. 3.221.XXX.XXX.423</td> </tr> <tr> <td>H 57.72</td> <td>Art.-No. 3.222.XXX.XXX.424</td> </tr> </table>	H 57	Art.-No. 3.220.XXX.XXX.422	H 57.55	Art.-No. 3.221.XXX.XXX.423	H 57.72	Art.-No. 3.222.XXX.XXX.424
H 57	Art.-No. 3.220.XXX.XXX.422						
H 57.55	Art.-No. 3.221.XXX.XXX.423						
H 57.72	Art.-No. 3.222.XXX.XXX.424						
Required gaskets	between the counter and the bezel H 57 N511018						
Gasket set	<table border="0"> <tr> <td>H 57.55</td> <td>N511018 + N511017</td> </tr> <tr> <td>H 57.72</td> <td>N511018 + N511016</td> </tr> </table>	H 57.55	N511018 + N511017	H 57.72	N511018 + N511016		
H 57.55	N511018 + N511017						
H 57.72	N511018 + N511016						
(with the IP65 version, the gasket is included in the delivery)							
Further voltages on request							
Counter with cable inlet from underneath, screw fixing from rear Art.-No. 3.228.401.XXX.044							

Hour meters / timers, electromechanical

Timers with DIN dimensions **DIN counter for panel mount / DIN rail housing, 48 x 48 mm (AC+DC)** **H 57 / AH 57**

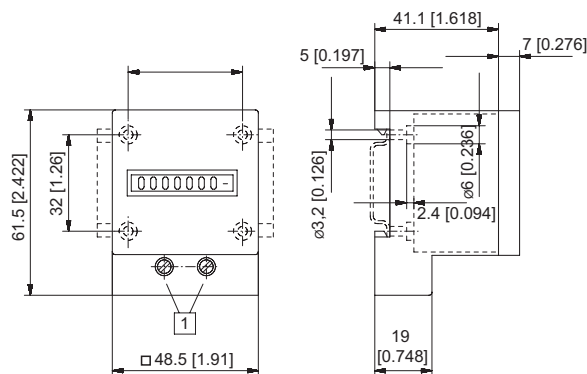
Standard DIN timer
clip mounting, on rear
Type H 57



1) Screw terminal with flat pin 0.8 x 6.3 2) max. 9

Type	Display	Voltage	Art.-No.					
			10 ... 30 V	20 ... 30 V	42 ... 48 V	100 ... 130 V	187 ... 264 V	360 ... 440 V
H 57	7 digits	AC (50 Hz)		3.220.401.071 ¹⁾	3.220.401.072	3.220.401.074 ¹⁾	3.220.401.075 ¹⁾	3.220.401.079
		AC (60 Hz)		3.220.401.081 ¹⁾	3.220.401.082	3.220.401.084 ¹⁾	3.220.401.085 ¹⁾	3.220.401.089
		DC	3.220.401.351 ¹⁾			3.220.401.381		
Further stock types:			3.220.401.075.422	187... 264 V AC, IP65				
			3.220.401.351.422	10 ... 30 V DC, IP65				

Base mount timer
DIN rail mount 35 mm acc. to DIN EN 50022
Type AH 57



1) Screw terminals

Type	Display	Voltage	Art.-No.					
			10 ... 30 V	20 ... 30 V	42 ... 48 V	100 ... 130 V	187 ... 264 V	360 ... 440 V
AH 57	7 digits	AC (50 Hz)		3.223.401.071	3.223.401.072	3.223.401.074 ¹⁾	3.223.401.075 ¹⁾	3.223.401.079
		AC (60 Hz)		3.223.401.081	3.223.401.082	3.223.401.084 ¹⁾	3.223.401.085 ¹⁾	3.223.401.089
		DC	3.223.401.351 ¹⁾			3.223.401.381		