



EAN code  
CRM-2T/230V: 8595188112291  
CRM-2T/UNI: 8595188112437

**Technical parameters CRM-2T**

**Power supply**

Supply terminals:	A1 - A2
Voltage range:	UNI AC/DC 12 - 240 V (AC 50-60 Hz)
Power input (max.):	2 VA/1.5 W
Voltage range:	230 AC 230 V (50-60 Hz)
Power input (max.):	AC 3 VA/1.4 W
Supply voltage tolerance:	-15 %; +10 %
Supply indication:	green LED

**Function**

Time scale:	t1: 0.1 s - 100 days, t2: 0.1 s - 1 s
Time setting:	rotary switch and potentiometer
Time deviation:	5% - mechanical setting
Repeat accuracy:	0.2 % - set value stability
Temperature coefficient:	0.01 %/°C, at = 20 °C (0.01 %/°F, at = 68 °F)

**Output**

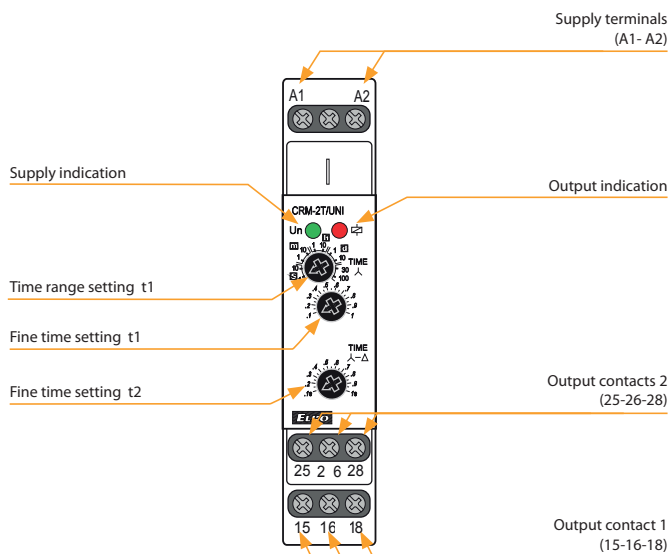
Number of contacts:	2x changeover/SPDT (AgNi)
Current rating:	16 A/AC1
Breaking capacity:	4000 VA/AC1, 384 W/DC
Inrush current:	30 A/< 3 s
Switching voltage:	250 V AC/24 V DC
Max. power dissipation:	1.2 W
Output indication:	multifunction red LED
Mechanical life:	10.000.000 ops.
Electrical life (AC1):	100.000 ops.
Reset time:	max. 150 ms

**Other information**

Operating temperature:	-20 °C to 55 °C (-4 °F to 131 °F)
Storage temperature:	-30 °C to 70 °C (-22 °F to 158 °F)
Dielectric strength:	
supply - output 1	4 kV AC
supply - output 2	4 kV AC
output 1 - output 2	4 kV AC
Operating position:	any
Mounting:	DIN rail EN 60715
Protection degree:	IP40 from front panel/IP20 terminals
Overvoltage category:	III.
Pollution degree:	2
Terminal wire capacity (mm²):	max.1x 2.5, 2x1.5, with sleeve max. 1x 2.5 (AWG 12)
Dimensions:	90 x 17.6 x 64 mm (3.5" x 0.7" x 2.5")
Weight:	UNI - 78 g (2.8 oz.), 230 - 73 g (2.6 oz.)
Standards:	EN 61812-1

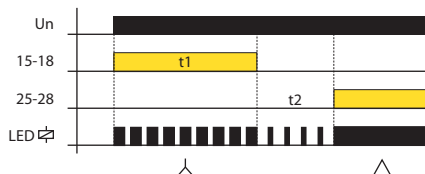
- It serves for delay ON of motors star/delta.
- Time t1 (star):
  - time range setting by rotary switch
  - fine time setting by potentiometer.
- Time t2 (delay) between λ/Δ
  - fine time setting by potentiometer.
- Multifunction red LED flashes or shines depending on the operating status.

**Description**



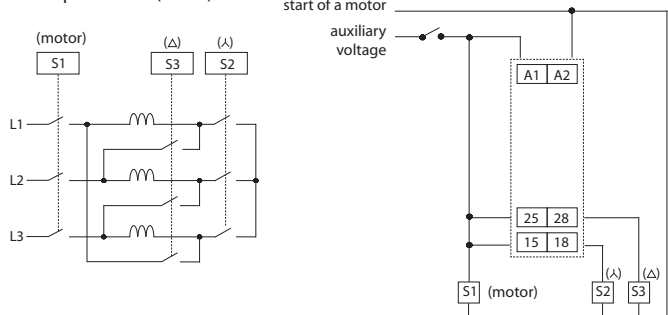
**Function**

STAR/DELTA timer



**Connection**

Start up of motor (λ - Δ)



**Symbol**

