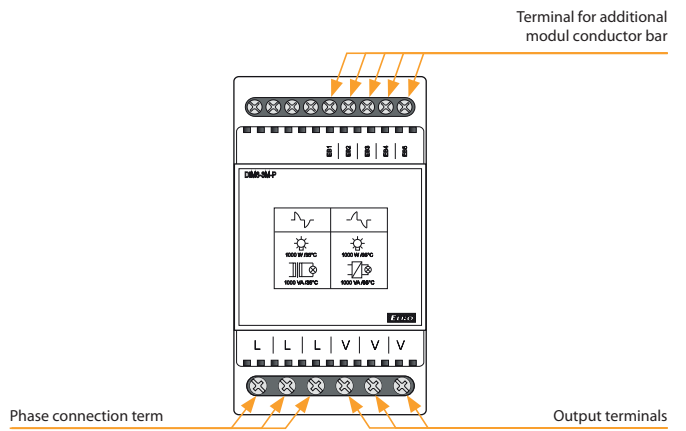


EAN code
DIM6-3M-P: 8595188139106

Technical parameters	DIM6-3M-P
Load:	max. 1 000 VA
Max. dissipated power:	6 W
Output	
Contactless:	2 x MOSFET
Current rating:	5 A
Resistive load:	1 000 VA*
Inductive load:	1 000 VA*
Load capacity:	1 000 VA*
Other information	
Operating temperature:	-20 °C to +35 °C (-4 °F to 95 °F)
Storing temperature:	-30 °C to +70 °C (-22 °F to 158 °F)
Operating position:	vertical
Mounting:	DIN rail EN 60715
Protection degree:	IP40 from front panel
Controlling device purpose:	operating control device
Controlling device construction:	additional control device
Automatic operating char.:	1.B.E
Heat and fire resistance category:	FR-0
Immunity category:	class 2
Rated impuls voltage:	2.5 kV
Overvoltage category:	III.
Pollution level:	2
Profile of connecting wires (mm ²)	
output part:	max.1x2.5, max. 2x1.5/with sleeve max. 1x1.5 (AWG 12)
control part:	max.1x2.5, max. 2x1.5/with sleeve max. 1x2.5 (AWG 12)
Size:	90 x 52 x 65 mm (3.5" x 2" x 2.6")
Weight:	130 g (4.5 oz.)
Standards:	EN 60669-1, EN 60669-2-1

- Expanding power module only for use in combination with DIM-6.
- DIM6-3M-P provides power increase (of about 1 000 VA) of load connected to DIM-6 (it means: 2 000 VA (DIM-6) + 1 000 VA (DIM6-3M-P) = 3 000 VA).
- The DIM-6 can connect up to 8 pieces of DIM6-3M-P and control up to 10.000 VA (the load must be divided into individual power blocks so that their maximum power is not exceeded).
- Attention-device has to be protected by circuit breaker accordant to the load connected to device.
- DIM-6 in installation is cooled by natural air flow. If the natural air flow access is reduced, cooling has to be provided by ventilator. Rated operating temperature is 35 °C/95 °F.
- If there are several DIM6-3M-P connected to DIM-6, the distance between them has to be min. 2 cm/0.8".
- Max. length of BUS EB is 1 m/39.4" and the connection has to be realized by shielded cable.

Device description

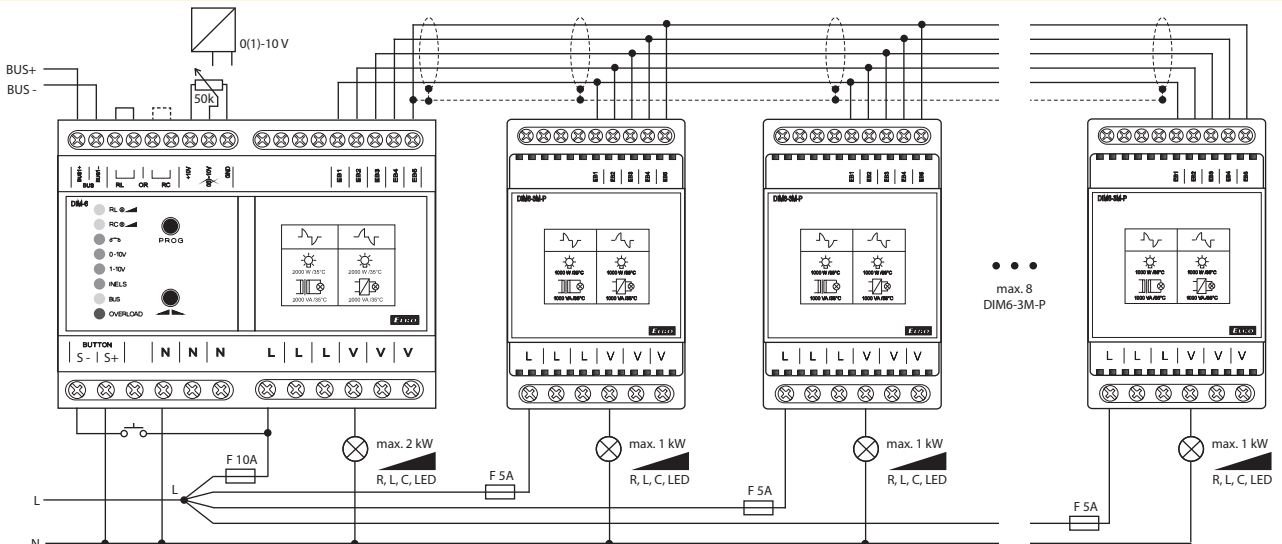


Note

The DIM-6 dimmer (L, V) terminals and the DIM6-3M-P expansion module are three-fold for easier multi-part loads.

* Warning: it is not allowed to connect loads of inductive and capacitive character at the same time.

Connection



A quick fuse corresponding to the power of each module must be included in the L supply for each module.