
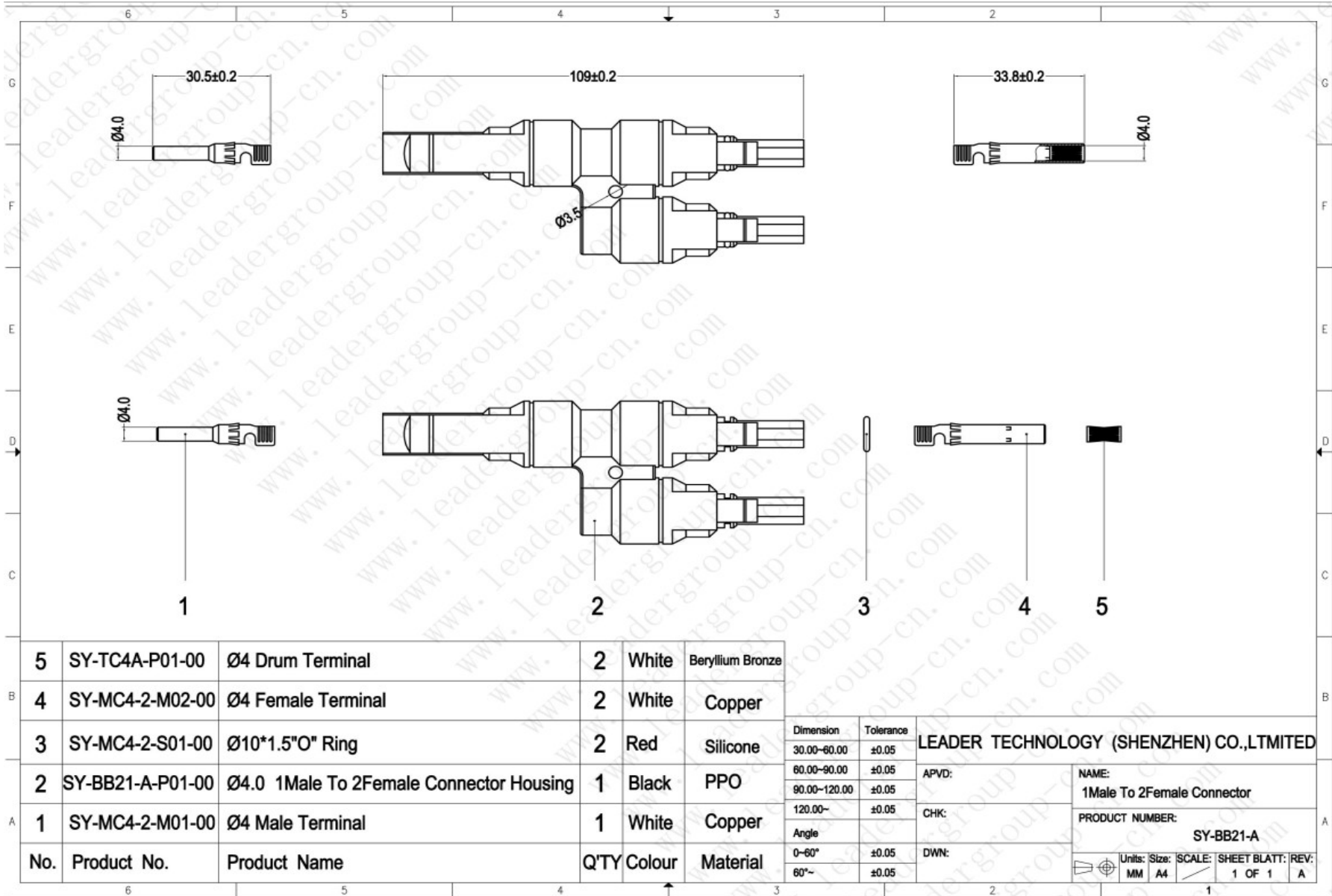


LEADER LEADER TECHNOLOGY(SHENZHEN) CO., LIMITED

Address: No32 Xinwang Road, Songgang District Shenzhen website: www.leadergroup-cn.com

Mail ID: info@leadergroup-cn.com Mobile: 0086-333-56021

Item	Model No	Picture	Specification	state
NO.1	SY-BB21-A/B		<ul style="list-style-type: none">1.Contact: Tin-plated copper2.Waterproof: IP673.Housing material: 100% GE PPO.4. Rated Voltage: TUV1500V DC5.pin Dimension: 4.0mm6.Temperature Range: -40°C~+90°C7.Flame Class:UL94V-08.Resistance: $\leq 5\text{m}\Omega$9.Pollution degree:210.Protection Class: Class II	

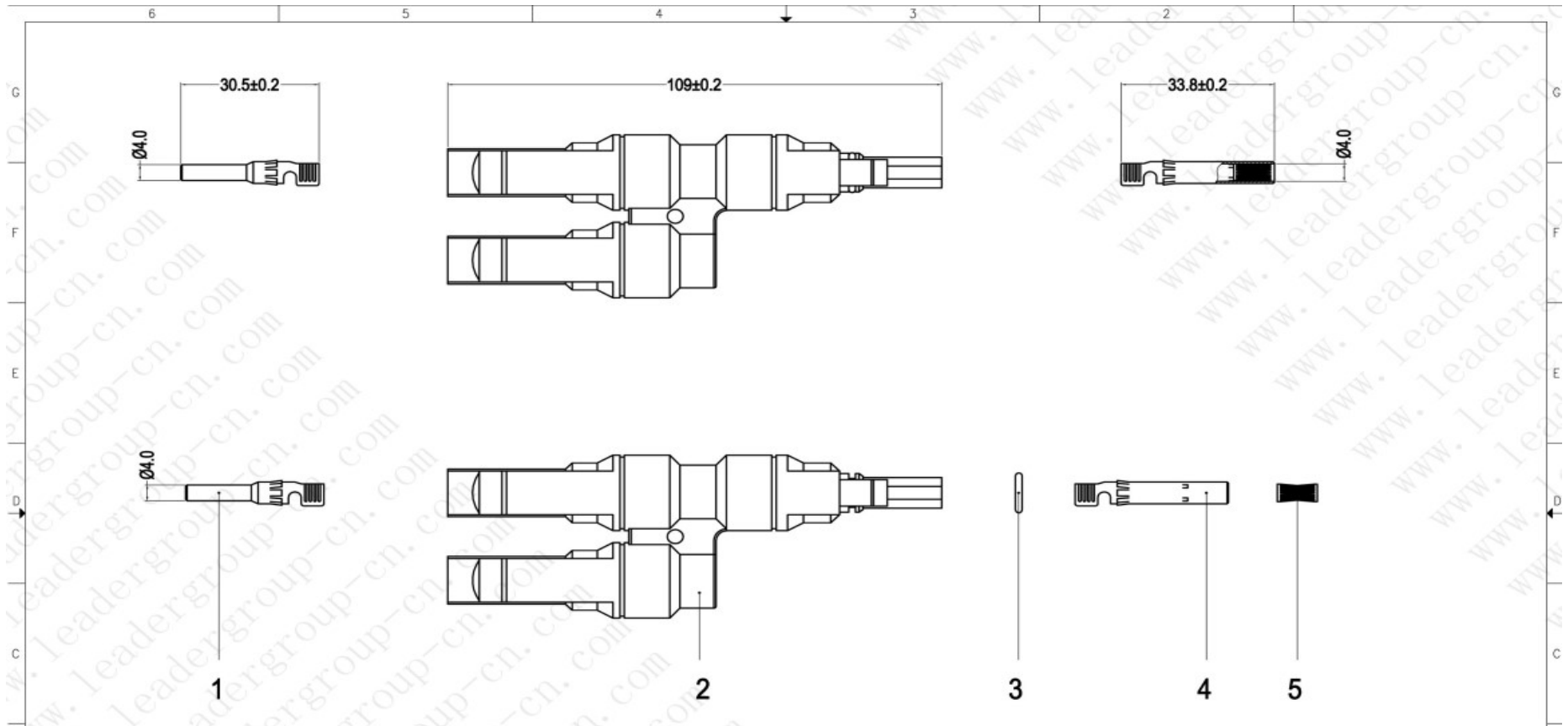


5	SY-TC4A-P01-00	Ø4 Drum Terminal	2	White	Beryllium Bronze
4	SY-MC4-2-M02-00	Ø4 Female Terminal	2	White	Copper
3	SY-MC4-2-S01-00	Ø10*1.5"O" Ring	2	Red	Silicone
2	SY-BB21-A-P01-00	Ø4.0 1Male To 2Female Connector Housing	1	Black	PPO
1	SY-MC4-2-M01-00	Ø4 Male Terminal	1	White	Copper
No.	Product No.	Product Name	Q'TY	Colour	Material

Dimension	Tolerance
30.00-60.00	±0.05
60.00-90.00	±0.05
90.00-120.00	±0.05
120.00~	±0.05
Angle	
0-60°	±0.05
60°~	±0.05

LEADER TECHNOLOGY (SHENZHEN) CO.,LTMITED

APVD:	NAME: 1Male To 2Female Connector
CHK:	PRODUCT NUMBER: SY-BB21-A
DWN:	Units: Size: SCALE: SHEET BLATT: REV: MM A4 / 1 OF 1 A



5	SY-TC4A-P01-00	Ø4 Drum Terminal	1	White	Beryllium Bronze
4	SY-MC4-2-M02-00	Ø4 Female Terminal	1	White	Copper
3	SY-MC4-2-S01-00	Ø10*1.5"O" Ring	1	Red	Silicone
2	SY-BB21-B-P01-00	Ø4.0 1Female To 2Male Connector Housing	1	Black	PPO
1	SY-MC4-2-M01-00	Ø4 Male Terminal	2	White	Copper
No.	Product No.	Product Name	Q'TY	Colour	Material

Dimension	Tolerance	LEADER TECHNOLOGY (SHENZHEN) CO.,LTMITED				
30.00-60.00	±0.05	APVD:	NAME: 1Female To 2Male Connector			
60.00-90.00	±0.05		PRODUCT NUMBER: SY-BB21-B			
90.00-120.00	±0.05		CHK:	DWN:		
120.00-	±0.05	Angle	Units: Size: SCALE: SHEET BLATT: REV:			
0-60°	±0.05	60°-	MM	A4	1 OF 1	A
60°-	±0.05					